



LED STRIP

AND NEON FLEX PRODUCT CATALOG

2025-2026

LED STRIP AND NEON FLEX PRODUCT CATALOG



WhatsApp:
0086-150-1941-4524



Skype ID:
ipixelled



Website



Wechat

iPixel LED Light Co.,Ltd

Email : inquiry@ipixelleds.com

Web : www.ipixelleds.com

Tel : 0086-755-8525-7290

Add: Building A, Chezhan industrial park, Tianbao Rd, Shiyan Town, Baoan , Shenzhen China

Web: www.ipixelleds.com E-mail: inquiry@ipixelleds.com





Contents

LED Strip

COB Strip	17-35
Single-color LED strip	36-72
Mini cut Series	37-40
Constant Current Series	41-43
Zig-zag Series	45-47
High Efficiency Series	48-52
Single Color Series	54-72
Multi-color LED Strip	73-94
Dual color LED Strip	74-77
RGB LED Strip	79-84
RGBW LED Strip	85-90
RGBWW LED Strip	91-93
Digital LED Strip	95-124
SPI Series	95-115
DMX Series	96-124

LED Neon

Side View	125-138
TOP View	139-146
3D Bend	147-148
Wall Washer	149-150

Other

Linear LED Series	151-151
Installation Diagram	152-152
Connection Diagram	153-154
LED Controller	155-155
LED Power Supply	156-156



the QR code in this picture album



iPixel LED Light Co.,Ltd

Make the world colorful



Founded in June 2015, iPixel LED Light Co., Ltd. is a professional LED product supplier integrating R&D, production, With over a 10 years of accumulated experience and technological expertise, iPixel has established two core business divisions: the LED Strip Division and the LED Signage Division, providing high-quality, customized LED solutions to customers worldwide.

Core Business

1. LED Strip Division

- . Specializes in manufacturing various types of LED flexible and rigid strips, neon flex, and other low-voltage customized products.
- . Offers comprehensive one-stop solutions, including control systems, power supplies, and wiring accessories.
- . Products are widely used in lighting, decoration, smart devices, and other applications, meeting diverse industry needs.

2. LED Neon Sign Division(website: <https://www.ipixelled.com>)

- . Specializes in producing acrylic signage using LED strips and neon lighting as key materials.
- . Provides personalized customization and professional support for advertising, exhibitions, and brand promotion.

Scale & Certifications

- . Around 120 employees and a 10,000-square-meter independent production and office park.
- . Recognized as a "Specialized, Refined, and Innovative" enterprise in Shenzhen and a National High-Tech Enterprise.
- . Certified by ISO9001 Quality Management System, ensuring compliance with international quality standards.

Quality & R&D Capabilities

- . Equipped with a dedicated quality control department and professional laboratory, featuring high-precision optical testing equipment (IES system), waterproof testing chambers, high-low temperature test chambers, salt spray test chambers, UV aging test chambers, and combustion test chambers.
- . A strong engineering and R&D team capable of quickly understanding and responding to customer-specific needs, driving continuous technological innovation and product upgrades.

Global Market & Certifications

- . Products are sold in China, Europe, North America, and other major global markets.
- . Most products are certified by UL, ETL, CE, RoHS, BIS, REACH, CB, ensuring compliance and competitiveness in international markets.
- . A well-trained sales team provides efficient and professional pre-sales consultation and after-sales support across industries.

Future Outlook

As an innovator in the LED industry, iPixel will continue to expand its global presence with reliable products and fast service as its core strengths. We are committed to collaborating with partners to build a dynamic and sustainable future for the lighting industry.

We look forward to working with you to explore the infinite possibilities of light!



Quality of light

Candlelight dinner, moonlight walk, sunrise and sunset. The light in the space affects people's perception and evaluation of the environment, and creates an environmental atmosphere with emotional significance. Light environment has emotional language, which makes people have social psychological impression, such as privacy, relaxation, pleasure and warmth.

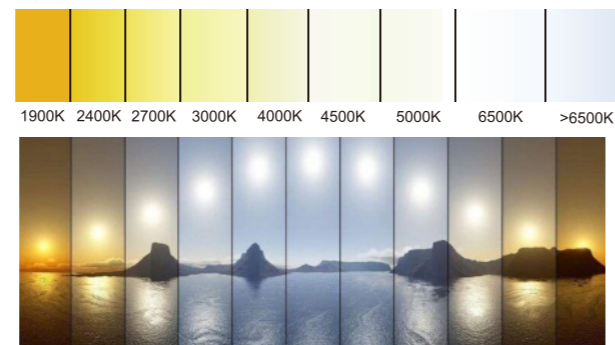
If there is no light in the world, life cannot continue, and plants will wither day by day without sunlight, and the seeds of melons, fruits, beans and rice will not grow. The world will be plagued by bacteria, and the world will not be colorful and colorful. The world will no longer be beautiful: if there is no light in the city, there will be no neon lights and gorgeous lights coming at night, and there will be no grand scene of lights in the house under the stars.

With the need of light for human beings, the development of lamps and lanterns has been expedited, especially the development of modern LED technology. The quality of electric lamps has changed forever. The LED light source illuminates the objects, so that we can see and feel all the colors inside these objects. The new lighting technology uses a variety of colors to meet your and customer's application needs. (the quality of electric light has been changed forever. LED sources illuminate objects for us to see and now feel the full range of colours within these objects. New lighting technology takes advantage of a wide variety of colours to meet your and your customers application needs.)

Color temperature is a unit of measurement that represents the color components contained in light. Theoretically, the blackbody temperature refers to the color of the absolute blackbody after heating from absolute zero (-273 °C). After being heated, the blackbody gradually turns from black to red, yellow, white, and finally emits blue light. When heated to a certain temperature, the spectral components contained in the light emitted by the black body are called the color temperature at this temperature, and the measurement unit is "K" (Kelvin)

Different light source color temperature brings different feelings. Illuminated by high color temperature light source, if the brightness is not high, it will give people a cold feeling; illuminated by low color temperature light source, high brightness will give people a sultry feeling. The lower the color temperature, the warmer the color tone (reddish); The higher the color temperature is, the colder the tone is (blue).

Correlated colour Temperature (CCT) Light Range comparison chart

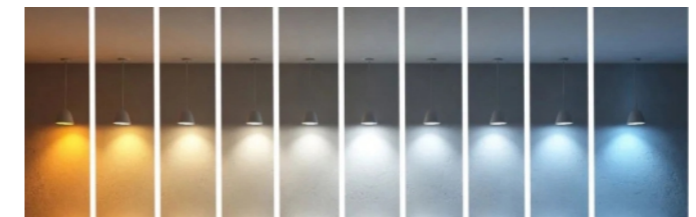


Lumen

Lumen (symbol lm) is a physical unit to describe the luminous flux, which is interpreted in physics as the total luminous flux generated by one candle (cd, candela, luminous intensity unit, equivalent to the luminous intensity of an ordinary candle) at a solid angle (on a unit sphere with a radius of 1 meter, the angle represented by the cone corresponding to a sphere crown of 1 square meter, and its corresponding central angle of the middle section is about 65 °).

The light energy emitted by the light source radiates in all directions. The light energy passing through a certain area in unit time is called the radiant energy flux passing through this area. Different colors of light have different frequencies, and the sensitivity of the eyes to different colors of light is also different. Even if the radiant energy flux of different colors of light is equal, the same brightness cannot be produced visually. Among all colors of light, yellow and green light can stimulate the greatest brightness.

Light intensity is a physical term that refers to the luminous flux of visible light received per unit area. It is referred to as illuminance[1] in lux (Lux or lx). Used to indicate the intensity of light and the extent to which the surface area of an object is illuminated.



2700-3300K 4200-4500K 5500-7000K

In photometry, "luminosity" is the density of luminous intensity in the specified direction, but it is often misunderstood as illuminance. The international unit of luminosity is the candela received per square meter (known as candela in mainland China, Hong Kong and Macao).

Light intensity has a great influence on the photosynthesis of organisms. It can be measured by illuminometer.

Photoefficiency

The ratio of the total luminous flux emitted by the light source to the electrical power (watt) consumed by the light source is called the luminous efficiency of the light source.

The higher the luminous efficiency value, the stronger the ability of the lighting fixture to convert electric energy into light energy, that is, the stronger the energy-saving of the lighting fixture when providing the same brightness; At the same power, the stronger the illuminance of the lighting fixture, that is, the greater the brightness.

The luminous efficiency, also known as the luminous efficiency of the light source or the power factor of the light source, represents the ratio of the luminous flux emitted from the light source to the electrical power consumed by the light source. I.e $\eta = \frac{\phi}{E} = \frac{\phi}{\phi + P}$

among η For light effect, ϕ Is the light energy radiated by the light source, E is the power of the light source, P is the energy lost by the light source, mainly the heat.

Overt indication

The International Commission on Illumination (CIE) defines this index as the visual display of 15 specified test colors under the illumination of a specific radiation light source. Number the 15 test colors from 1 to 15, and use R1-R15 to represent the display indexes of the 15 colors. When comparing a light source with a specified reference light source, an index value of 100 is the best.

R1-R8 are called "typical display indexes". Ra is the Average Color Rendering Index. It is the average of the indices R1-R8.

R9-R15 are called "special color rendering index", especially R9 (dark bright red) and R15 (yellow skin color). Color rendering index has 15 colors.

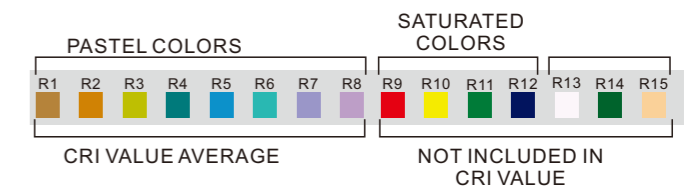
name; R1, light grayish red: R2, dark grayish yellow: R3; Saturated yellow green: R4, medium yellow green: R5, light blue green: R6, light blue.

Color R7, lavender blue. R8, reddish purple. R9, saturated red. R10, saturated yellow. R11 saturated green. R12, saturated blue. R13 White color: R14, green leaf: R15, yellow color.

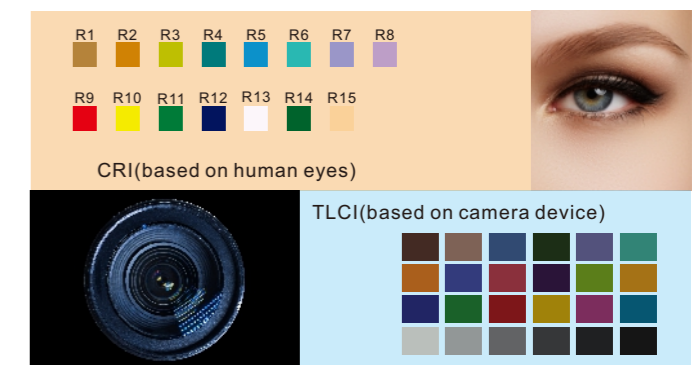
Index (Ra) Grade Color rendering General application

90-100 1A Excellent places that need accurate color contrast 80-89 1B places that need correct color judgment 60-79 2 places that need medium color rendering generally 40-59 3 places that have low requirements for color rendering, places with small color difference 20-39 4 places that have no specific requirements for color rendering

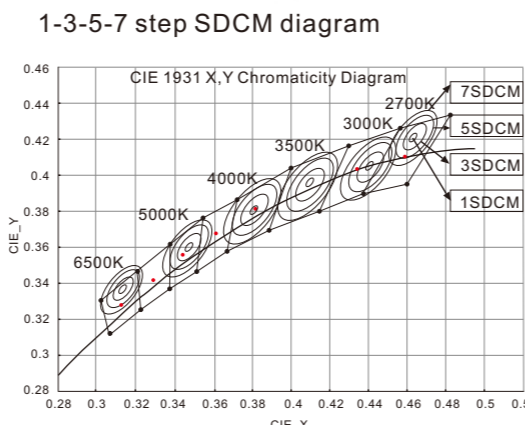
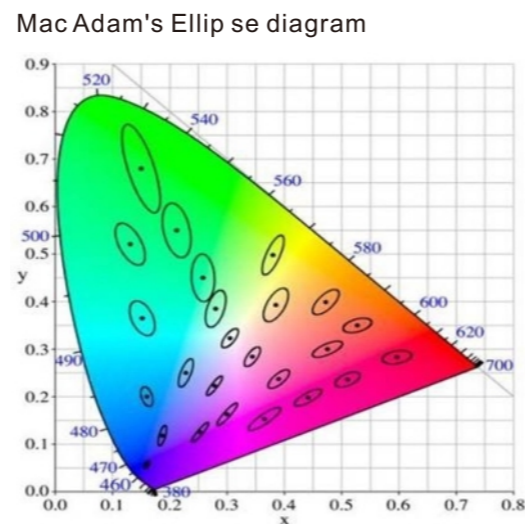
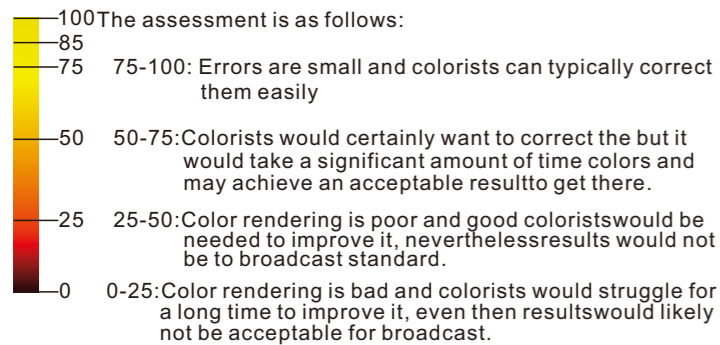
The theoretical color rendering index of incandescent lamps is 100, but there are many types of incandescent lamps in real life and their applications are different, so their Ra values are not completely consistent. It can only be said that it is close to 100 and is the lamp with the best color rendering.



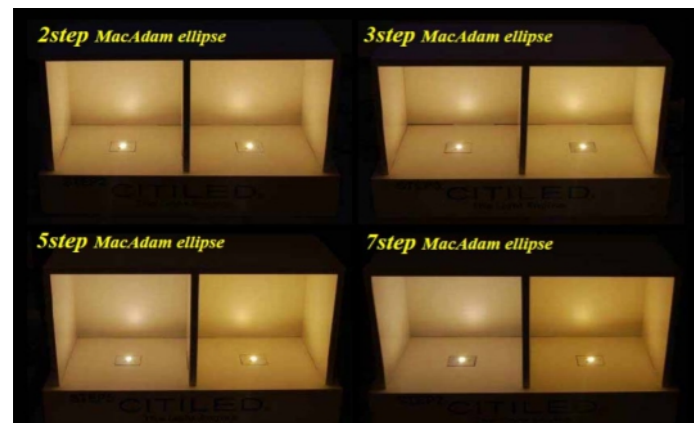
Television Lighting Consistency Index (TLCI) PERFECT COLOR CONSISTENCY



TLCI: The Television lighting Consistency Index averages 24 colors from the MacBeth chart (which is now owned by X-Rite and is called the X-Rite ColorChecker). The maximum value is 100, with 100 being best. (Note: colors for TLCI are named below.)



Perfect color consistency with SDCM (Standard deviation of color matching) in only 3-step and one bin as standard supply.



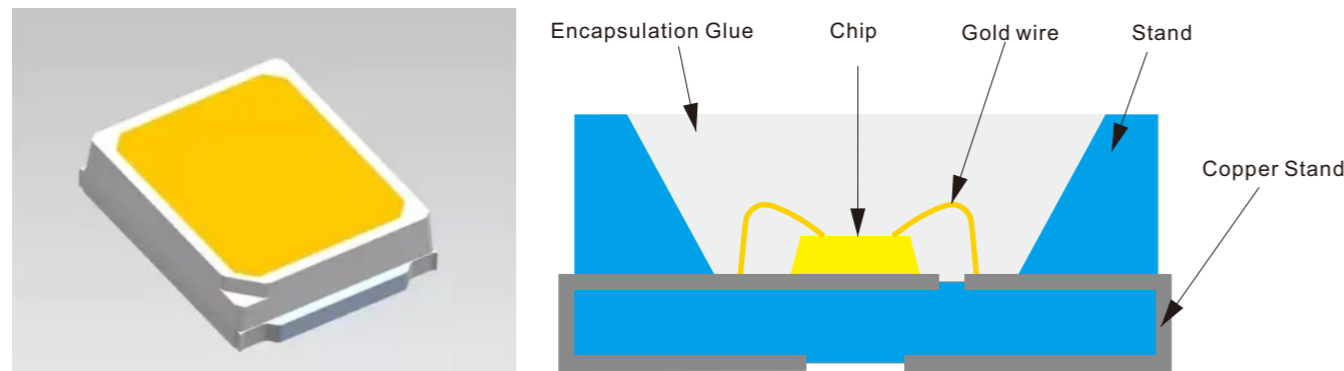
The color tolerance represents the difference between X, Y values calculated by the software of the photoelectric detection system and the standard light source. The smaller the value, the higher the accuracy.

The spectrum of the standard light source changes with the color temperature, so when the color temperature is different, the standard spectrum is different (general detection equipment will automatically AUTO identify the color temperature range of the LED light source to be tested, and determine the corresponding color temperature value of the standard light source), and the color tolerance is different. At the same color temperature, the reference standard spectrum is consistent, and the color tolerance is different if the color coordinates X and Y are different.

Color tolerance unit: SDCM. GB-T17262-2002 Standard for Performance Requirements of Single ended Fluorescent Lamps specifies that the color tolerance of general energy-saving lamps shall be less than 5SDCM. GB24823-2009 Performance Requirements for LED Modules for General Lighting The color tolerance required for LED modules is less than 7SDCM.

LED introduction and structure diagram

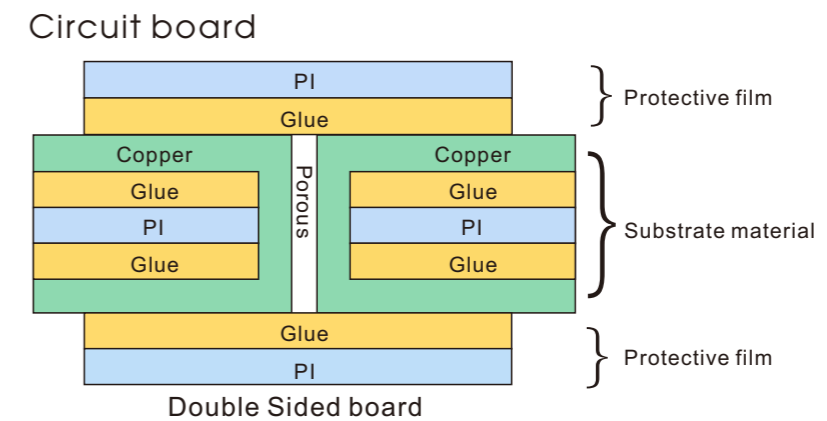
LED (Light Emitting Diode), a light emitting diode, is a solid state semiconductor device that can convert electric energy into visible light. It can directly convert electricity into light. The heart of LED is a semiconductor chip. One end of the chip is attached to a bracket, one end is a negative pole, and the other end is connected to the positive pole of the power supply, so that the entire chip is encapsulated by epoxy resin. LED can directly emit red, yellow, blue, green, green, orange, purple and white light.



SMD LED Encapsulation Chart

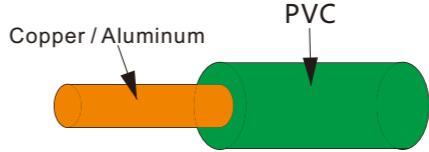
FPC Structure & Composition

Circuit board can be called printed circuit board or printed circuit board, among which FPC circuit board is also called flexible circuit board. Flexible circuit board is a highly reliable and excellent flexible printed circuit board made of polyimide or polyester film as the substrate. It has the characteristics of high wiring density, light weight, thin thickness and good bending performance. It is widely used in the field of flexible light strips. According to the number of layers, PCB can be divided into single panel, double panel, and multi-layer PCB.



Wire rod






LED conductor is generally made of copper or aluminum core, and its periphery is wrapped with PVC, silica gel or rubber. It mainly plays the role of transmitting current.



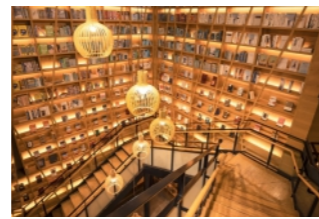
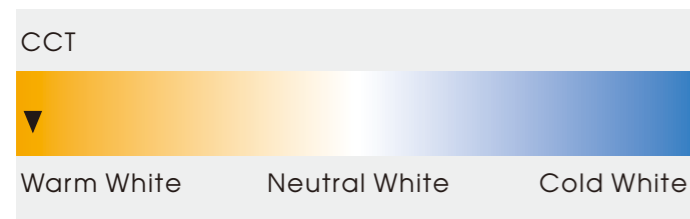
SAFETY CERTIFICATIONS

Certification refers to the conformity assessment activities in which a certification body certifies that products, services and management systems conform to the mandatory requirements or standards of relevant technical specifications. Our certification includes system certification and product certification.

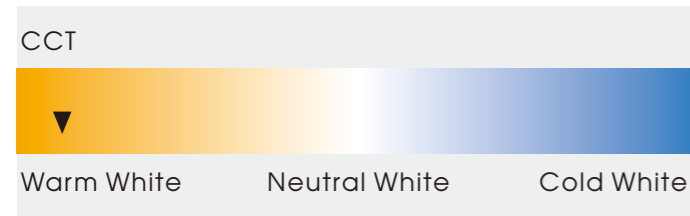
Authentication

- 
 UL Listed-C/US
 Product has been third-party tested by U Meets or exceeds safety guidelines Listed in both the U.S. and Canada
- 
 The restriction of the use of certain hazardous substances in electrical and electronic equipment.
- 
 The Conformité Européene CE mark indicates products sold in the European Economic Area (EEA) have been assessed to meet high safety, health and environmental protection requirements.
- 
 It is a bridge for commercial demand and computer programming. It is mainly to formulate system requirements, develop system plans and documents, check and evaluate existing systems, and design and modify the system to meet the commercial needs of users.
- 
 Scheme of the IECEE for Mutual Recognition of Test Certificates for Electrical Equipment"

Reference CCT VS. Applicationcct



1600K



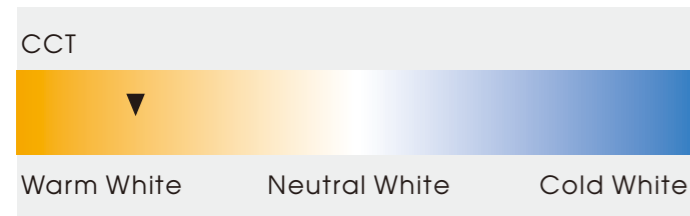
1800K



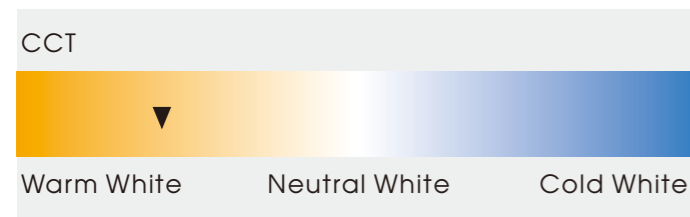
2000K



2200K

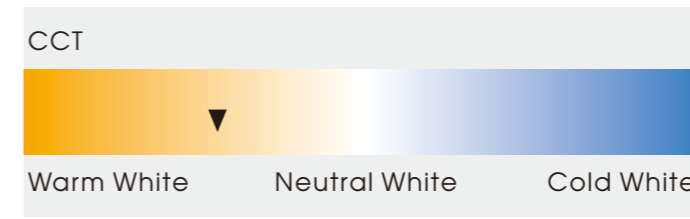


2400K

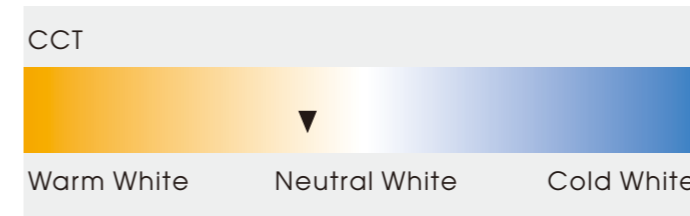


2700K

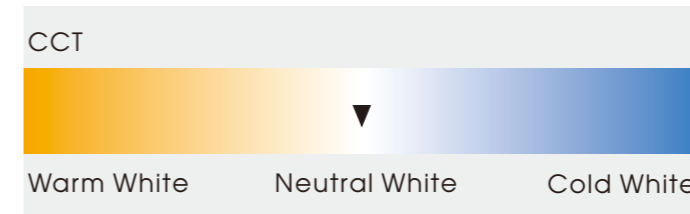
Reference CCT VS. Applicationcct



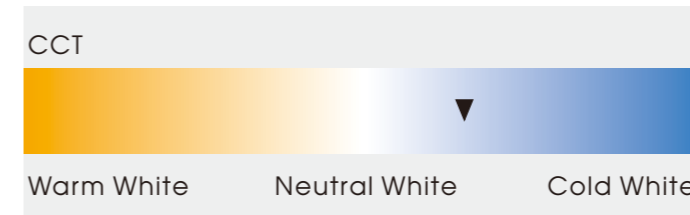
3000K



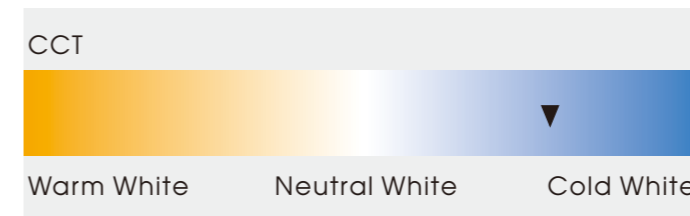
3500K



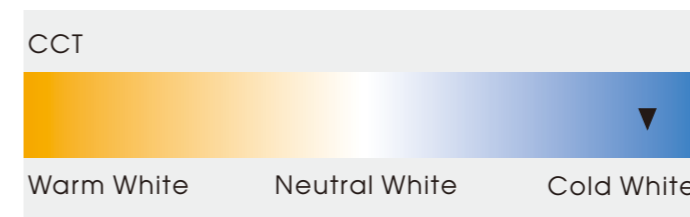
4000K



5000K



6500K



8000K

IP RATING

SKETCH MAP

FEATURE

IP20

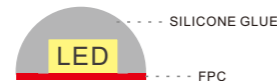
DC L.V.Series
Dry Location



Non-Waterproof

IP64

DC L.V.Series
Damp Location



Silicone Dripping Process
Anti Splash Water
Small Size Change
Semi-Seal

IP65

DC L.V.Series
Wet Location



Silicone Tube Process
Anti Spray Water
Tiny Color Shift
Full-Seal

IP67

DC L.V.Series
Wet Location



Silicone Iniection Process
Immerse In Water For long Time
(depth≤1 meter & within the warranty period)
Full-Seal

IP65 Pro

DC L.V.Series
Wet Location



Silicone Extrusion Process
Anti Splash Water
Small Size Change
Tiny Color Shift
Semi-Seal

IP65 Pro Thin

DC L.V.Series
Wet Location



Silicone Extrusion Process
Anti Spray Water
Tiny Color Shift
Full-Seal

IP67 Pro

DC L.V.Series
Wet Location



Silicone Extrusion Process
Immerse In Water For Short Time
(depth≤1 meter & less than 30 minutes)
Tiny Color Shift
Full-Seal

IP64 HT

DC L.V.Series
Wet Location



Heat Shrink Tubing
Anti Splash Water
Small Size Change
Tiny Color Shift
Full-Seal

Degree of protection

IP (INGRESS PROTECTION) protection rating system is drafted by IEC (INTERNATIONAL ELECTROTECHNICAL COMMISSION), which classifies electrical appliances according to their characteristics of dust and moisture prevention. IP protection level is composed of two numbers. The first number represents the level of electrical appliance dust prevention and foreign object intrusion prevention (foreign objects here include tools, human fingers, etc. can not touch the live parts in electrical appliances to avoid electric shock). The second number represents the degree of tightness of electrical appliances against moisture and water immersion. The larger the number, the higher the protection level.

Representation method

The protection level is usually expressed by IP followed by two numbers, which are used to define the protection level.

The first figure indicates the range of dust resistance of the equipment, or the degree to which people are protected from harm in a sealed environment. It represents the level of preventing solid foreign matters from entering, and the highest level is 6;

The second digit indicates the degree of water resistance of the equipment. It represents the level of preventing water ingress, and the highest level is 8.

The first digit after IP is dustproof grade.

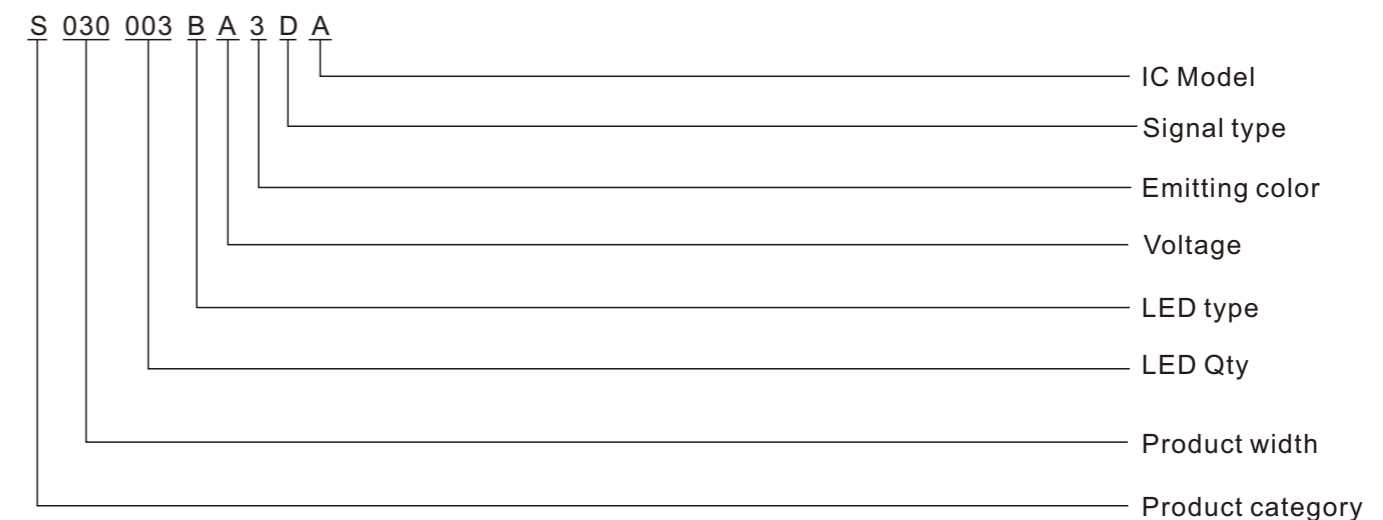
Number	Protection scope	Explain
0	No protection	No special protection for people or objects outside
1	Prevent intrusion of solid foreign objects with a diameter greater than 50mm	Prevent the human body (such as the palm) from accidentally contacting the parts inside the appliance, and prevent the invasion of foreign objects with larger size (diameter greater than 50mm)
2	Prevent the intrusion of solid foreign objects with a diameter greater than 12.5 mm	Prevent people's fingers from touching the parts inside the appliance, and prevent foreign objects of medium size (diameter greater than 12.5mm) from invading
3	Prevent intrusion of solid foreign objects with a diameter greater than 2.5mm	Prevent tools, wires and similar small foreign objects with diameter or thickness greater than 2.5mm from invading and contacting the parts inside the appliance
4	Prevent intrusion of solid foreign objects with a diameter greater than 1.0mm	Prevent tools, wires and similar small foreign objects with diameter or thickness greater than 1.0mm from invading and contacting the parts inside the appliance
5	Prevent foreign objects and dust	Completely prevent the invasion of foreign objects. Although the invasion of dust cannot be completely prevented, the invasion of dust will not affect the normal operation of electrical appliances
6	Prevent foreign objects and dust	Completely prevent foreign objects and dust from entering

Second digit after IP: waterproof grade

Number	Protection scope	Explain
0	No protection	No special protection against water or moisture
1	Prevent water droplets from being immersed	Vertically falling water droplets (such as condensed water) will not damage the electrical appliances
2	When tilted 15 degrees, water droplets can still be prevented from being immersed	When the electrical appliance is tilted to 15 degrees from the vertical, dripping water will not damage the electrical appliance
3	Prevent spraying water from being immersed	Prevent rain or damage caused by water sprayed in the direction with a vertical angle of less than 60 degrees
4	Prevent splashing water from being immersed	Prevent splashing water from all directions from invading the electrical appliances and causing damage
5	Prevent water from being sprayed	Protection against low pressure water spray for at least 3 minutes
6	Prevent big waves from flooding	Prevent a large amount of water spraying for at least 3 minutes
7	Prevent water immersion during immersion	Prevent the influence of immersion for 30 minutes in water up to 1m deep
8	Prevent water immersion during sinking	Prevent the impact of continuous immersion in water with a depth of more than 1m. The exact conditions are specified by the manufacturer for each equipment.

Coding rules

Company name	iPixel LED
Model designation	S: LED Strip/N:LED Neon Flex



Testing Equipment

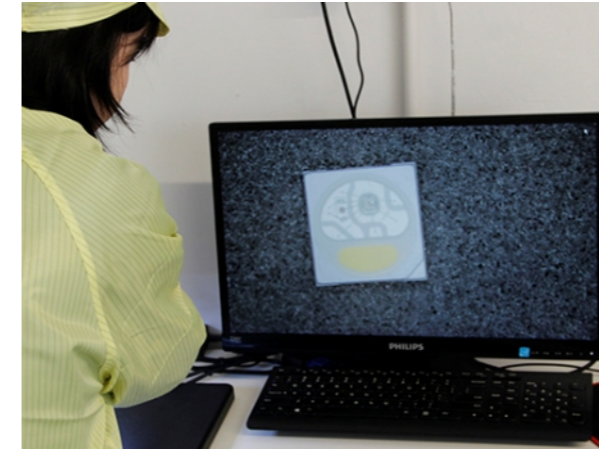


Integrating Sphere Test



IES Test

Testing Equipment



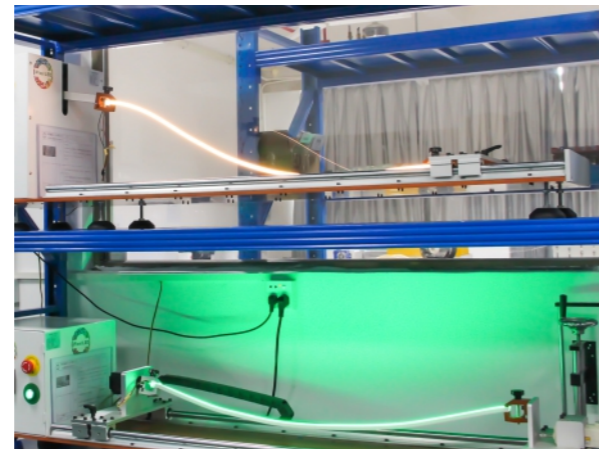
Precision Optical Microscope Test



High/Low Temperature Test



Salt Spray Test



Tumble and Twist Test



IP67/IP68 Test



UI94 Flammability Analyzer



UV Testing Machine



High/Low Temperature Test



IP65/IP66 Test



AOI Test Machine

Production Equipment-SMT



Automated Goods Pass-Through Air Shower



Brush solder paste



Manual Inspection



SMT Pick-and-Place Machine



SMT Production



Reflow Soldering

Silicone Extrusion Production



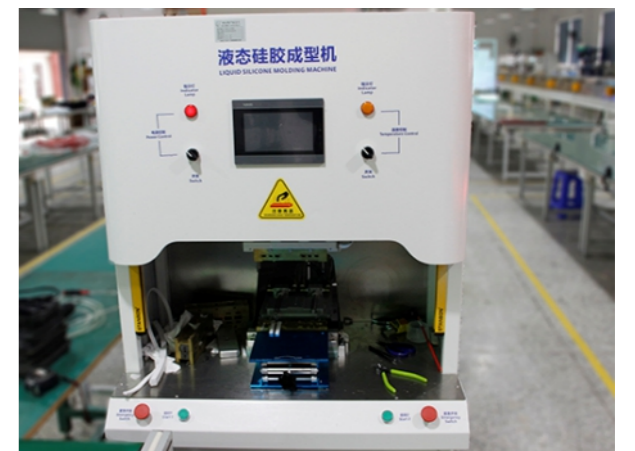
Silicone Extrusion Production



Silicone Extrusion Production



Silicone Extrusion Production



Liquid silicone molding machine



Thermostatic Furnace



Thermostatic Furnace

Certification

Certification refers to the conformity assessment activities in which a certification body certifies that products, services and management systems conform to the mandatory requirements or standards of relevant technical specifications.

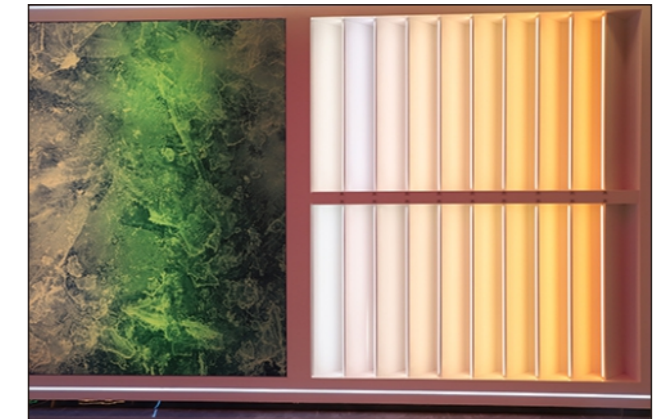
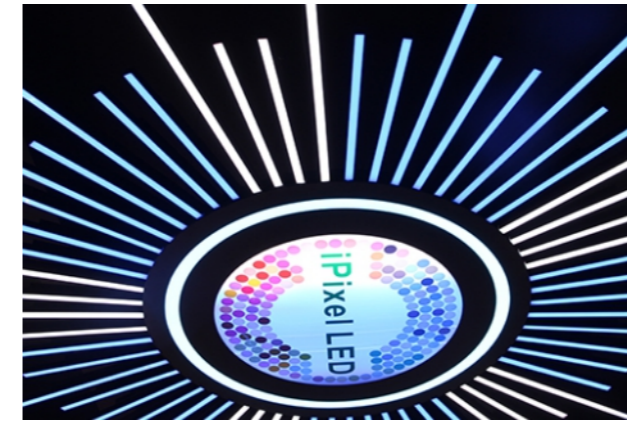
Our certification includes system certification and product certification.

The system certification is the ISO9001 quality management system certification adopted by more than 100 countries and regions in the world. It is the summary of management theory and management practice development in developed countries over the years. It reflects a management philosophy and quality management methods and models.

Product certification is security related, such as "CE", which is a security certification mark and is regarded as a passport for manufacturers to open and enter the European market. CE stands for CONFORMITE EUROPEENNE. Another example is the "UL" certification, which was founded by the global testing and certification agency and the standard development agency UL Co., Ltd. [1]. Since its establishment in 1894, UL has issued nearly 1800 safety, quality and sustainability standards, more than 70% of which have become American national standards, and UL is also the development agency of Canadian national standards.

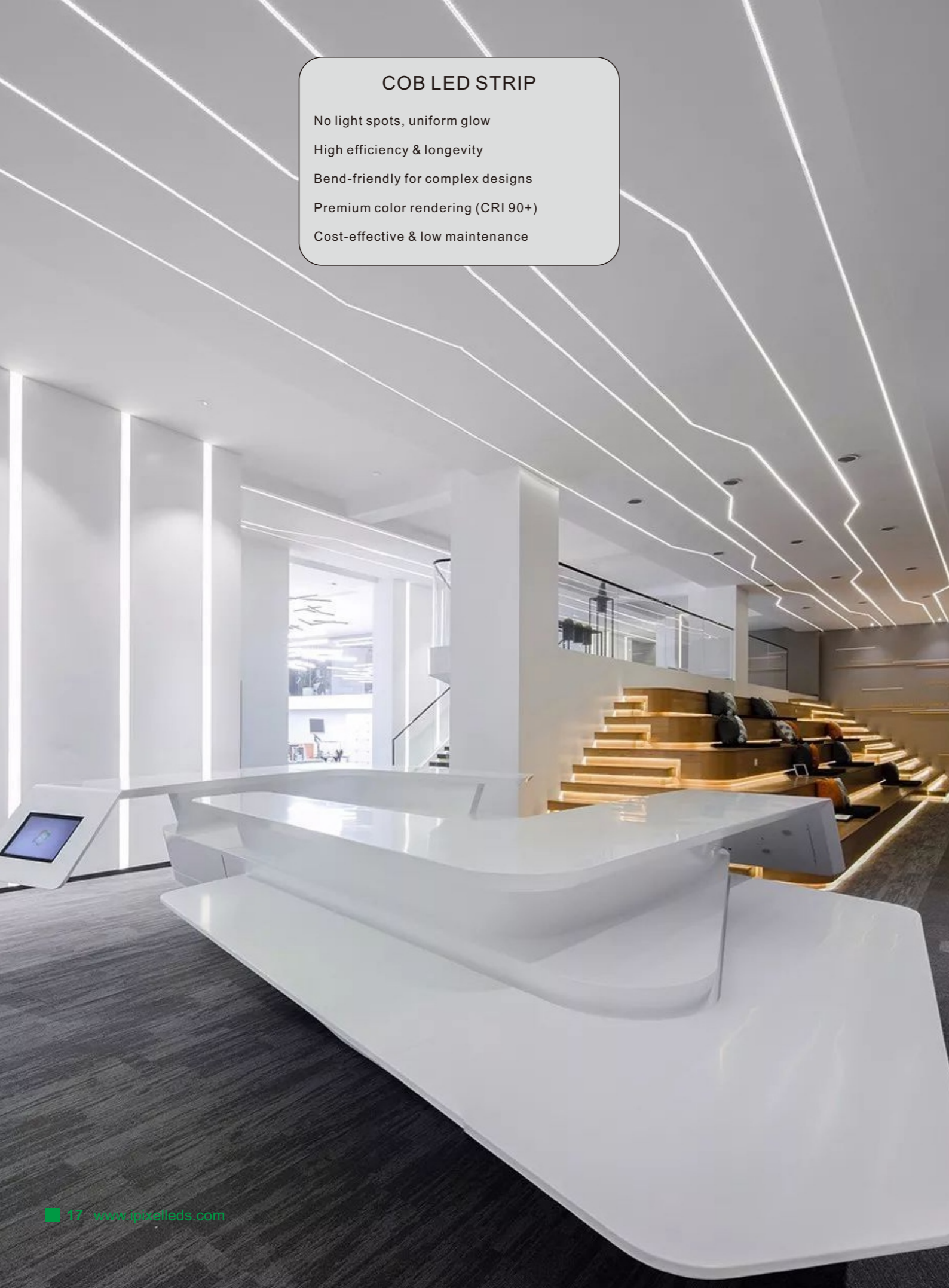


Showroom



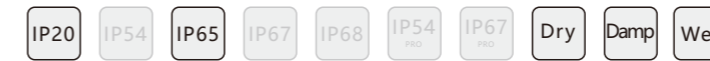
COB LED STRIP

- No light spots, uniform glow
- High efficiency & longevity
- Bend-friendly for complex designs
- Premium color rendering (CRI 90+)
- Cost-effective & low maintenance



Feature

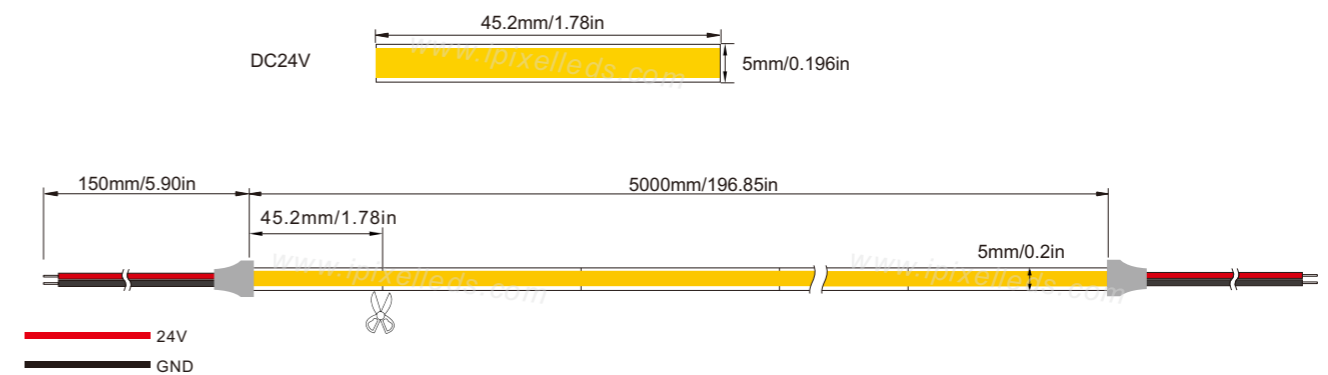
COB
single color
5mm PCB



Product Datasheet

Product Number	S005528ZC1LZ
Operating Voltage	DC24V
Power/M	8W
LED Type	COB/528LEDs/m
Cutting Length	45.2mm
Color	3000K/4000K/6500K
Size (mm)	5000x5mm
Beam Angle	180°

Dimension (unit: mm/in)



Feature

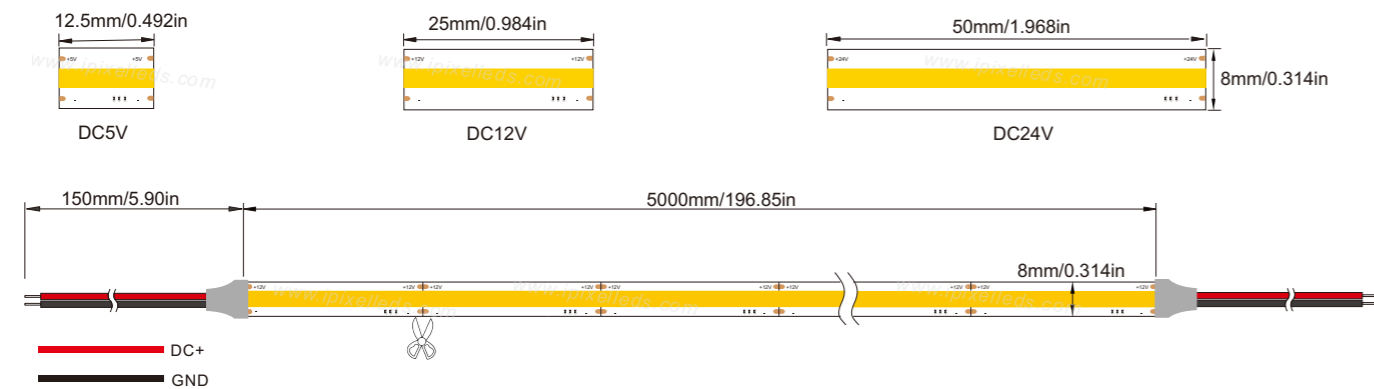
COB 320LEDs/m series
single color
5V/12V/24V available



Product Datasheet

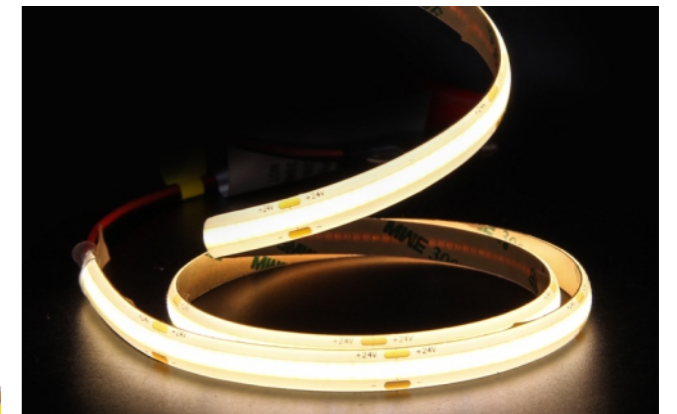
Product Number	S008320ZA1LZ	S008320ZB1LZ	S008320ZC1LZ
Operating Voltage	DC5V	DC12V	DC24V
Power/M	10W	10W	10W
LED Type	COB/320LEDs/m	COB/320LEDs/m	COB/320LEDs/m
Material	FPC	FPC	FPC
Color	3000K/4000K/6500K	3000K/4000K/6500K	3000K/4000K/6500K
Size (mm)	5000x8mm	5000x8mm	5000x8mm
Beam Angle	180°	180°	180°

Dimension (unit: mm/in)



Feature

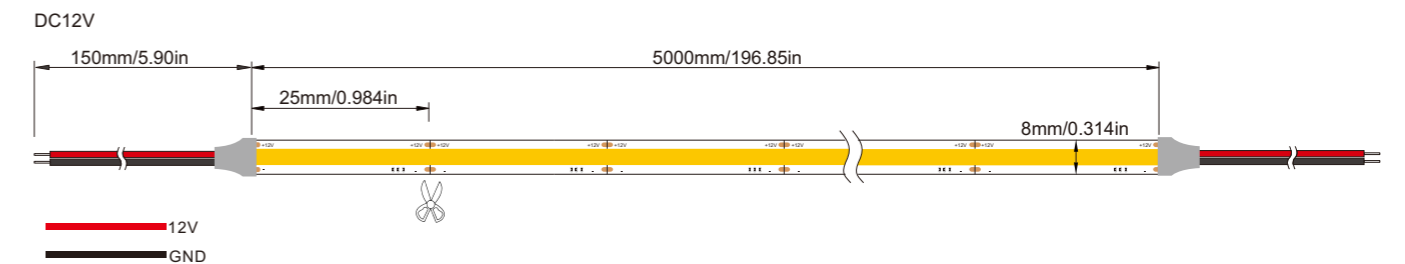
COB
single color
480LEDs/m



Product Datasheet

Product Number	S008480ZB1LZ	S008480ZC1LZ
Operating Voltage	DC12V	DC24V
Power/M	10W	10W
LED Type	COB/480LEDs/m	COB/480LEDs/m
Cutting Length	25mm	50mm
Material	FPC	FPC
Color	3000K/4000K/6500K	3000K/4000K/6500K
Size (mm)	5000x8mm	5000x8mm
Beam Angle	180°	180°

Dimension (unit: mm/in)



Feature

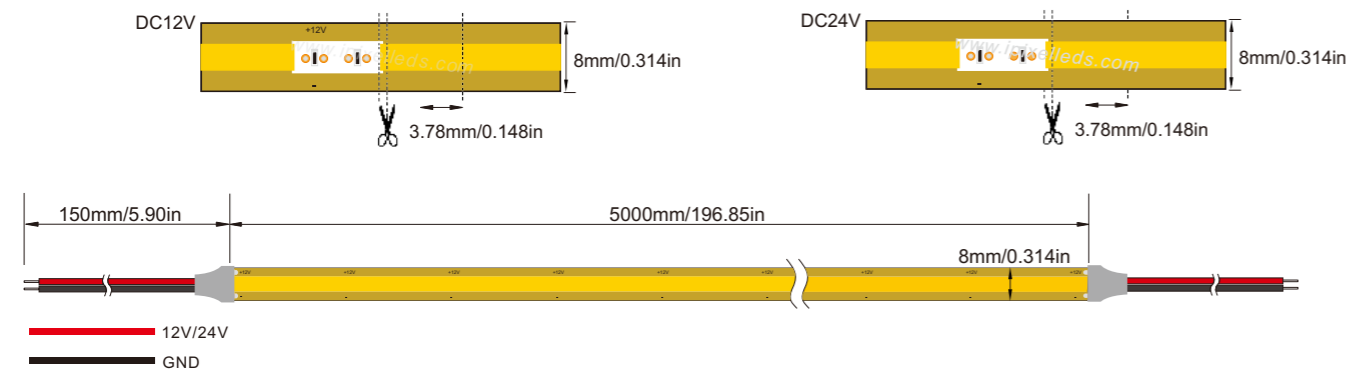
Free cut COB
single color
528LEDs/m



Product Datasheet

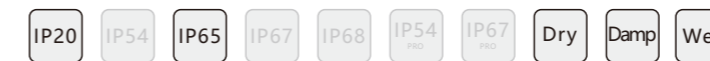
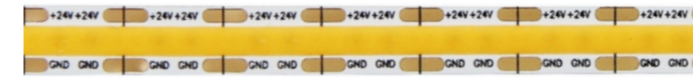
Product Number	S008528ZB1LZ(M)	S008528ZC1LZ(M)
Operating Voltage	DC12V	DC24V
Power/M	10W	10W
LED Type	COB/528LEDs/m	COB/528LEDs/m
Cutting Length	Free cut	Free cut
Color	3000K/4000K/6500K	3000K/4000K/6500K
Size (mm)	5000x8mm	5000x8mm
Beam Angle	180°	180°

Dimension (unit: mm/in)



Feature

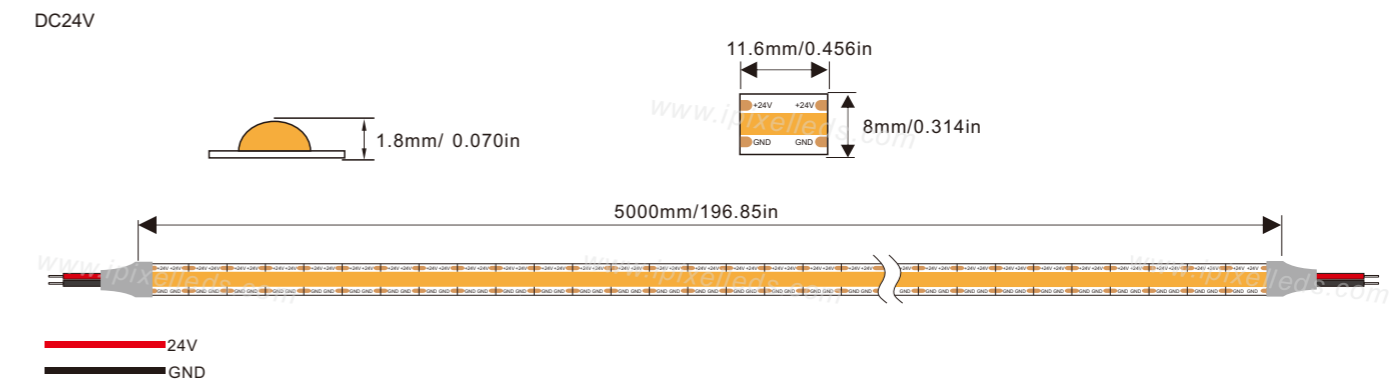
COB
single color
528LEDs/m



Product Datasheet

Product Number	S008528ZC1LZ
Operating Voltage	DC24V
Power/M	7.5W
LED Type	COB/528LEDs/m
Cutting Length	11.6mm
Luminance/M	500lm/m
Color	3000K/4000K/6500K
Size (mm)	5000x8mm
Beam Angle	180°

Dimension (unit: mm/in)



Feature

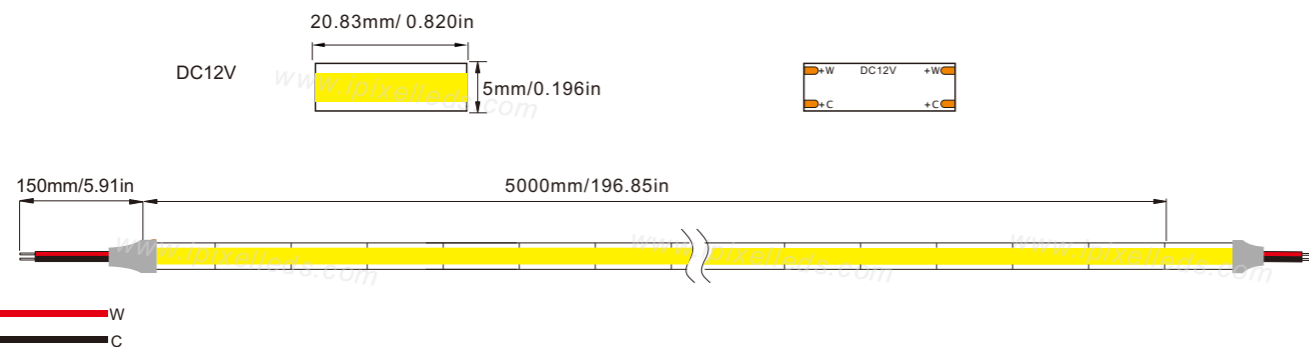
COB
CCT tunable
2 wires
5mm PCB



Product Datasheet

Product Number	S005576ZB2PZ
Operating Voltage	DC12V
Power/M	6W
LED Type	COB/576LEDs/m
Cutting Length	20.83mm
Luminance/M	C:360 W:450lm
Color	2700K+6500K
Size (mm)	5000x5mm
Beam Angle	180°

Dimension (unit: mm/in)



Feature

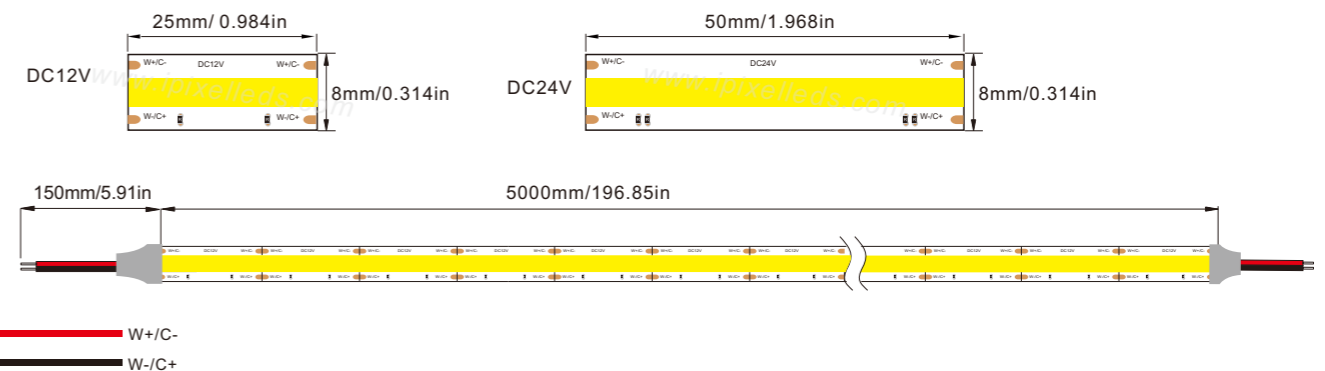
COB
CCT tunable
2 Wires



Product Datasheet

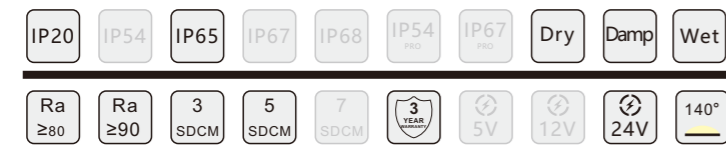
Product Number	S008640ZB2PZ	S008640ZC2PZ
Operating Voltage	DC12V	DC24V
Power/M	8W(MAX)	8W(MAX)
LED Type	COB/640LEDs/m	COB/640LEDs/m
Cutting Length	25mm	50mm
Control	PWM	PWM
Color	2700K+6500K	2700K+6500K
Size (mm)	5000x8mm	5000x8mm
Beam Angle	180°	180°

Dimension (unit: mm/in)



Feature

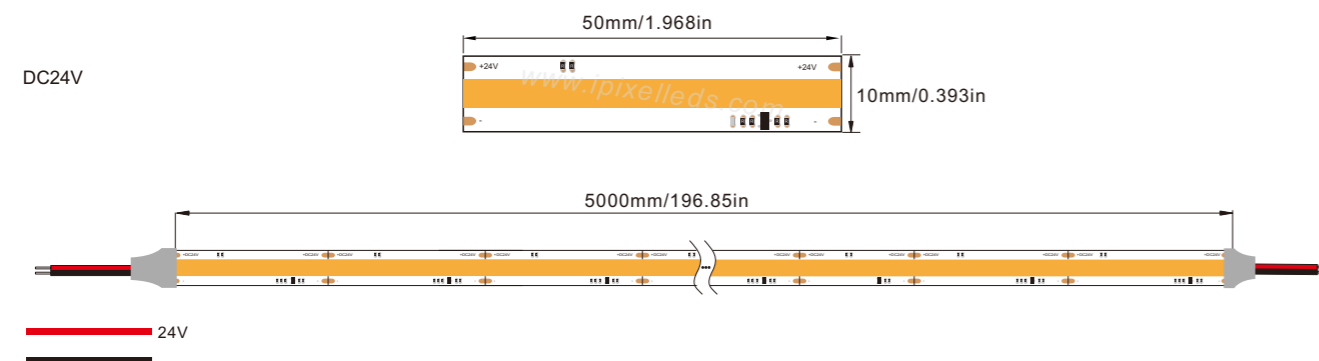
COB
Dim to warm
560LEDs/m



Product Datasheet

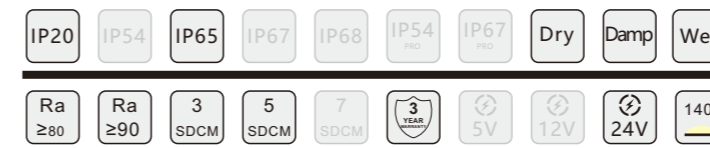
Product Number	S010560ZC2PZ
Operating Voltage	DC24V
Power/M	12W
LED Type	COB/560LEDs/m
Cutting Length	50mm
Control	PWM
Color	2100K+2700K
Size (mm)	5000x10mm
Beam Angle	180°

Dimension (unit: mm/in)



Feature

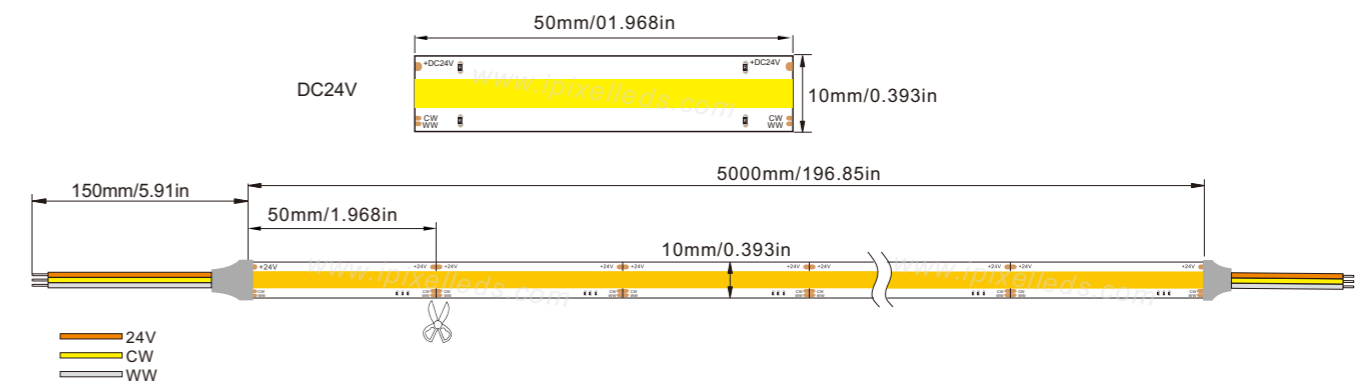
COB
CCT tunable
640LEDs/m



Product Datasheet

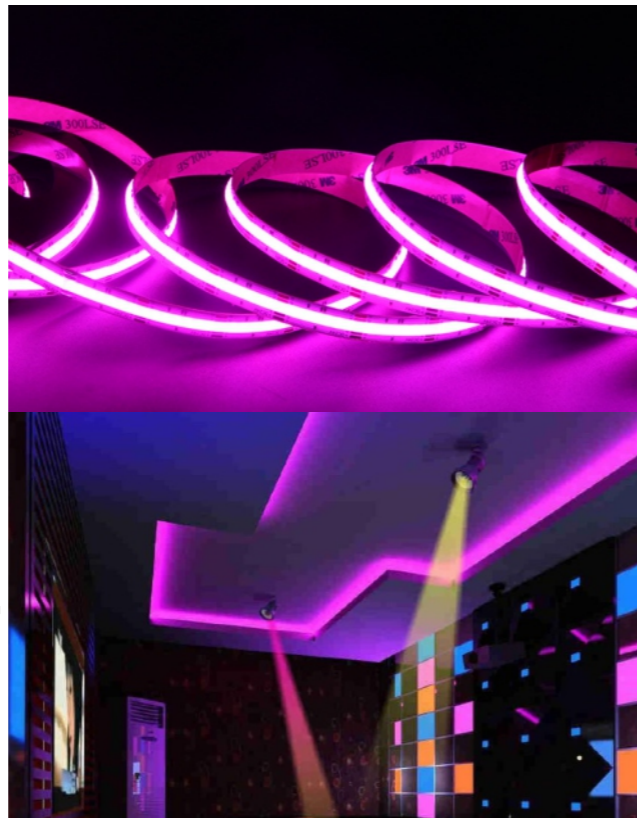
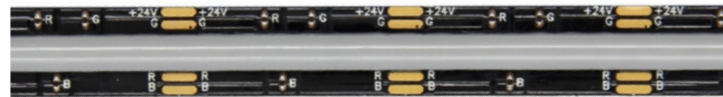
Product Number	S010640ZC2PZ
Operating Voltage	DC24V
Power/M	16W
LED Type	COB/640LEDs/m
Cutting Length	50mm
Control	PWM
Color	2700K+6500K
Size (mm)	5000x10mm
Beam Angle	180°

Dimension (unit: mm/in)



Feature

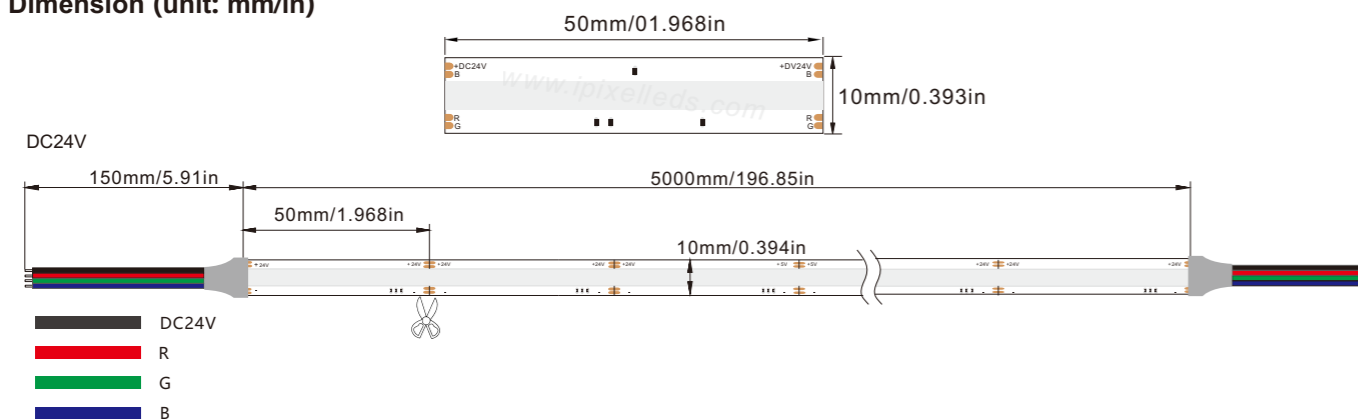
COB
RGB
840LEDs/m



Product Datasheet

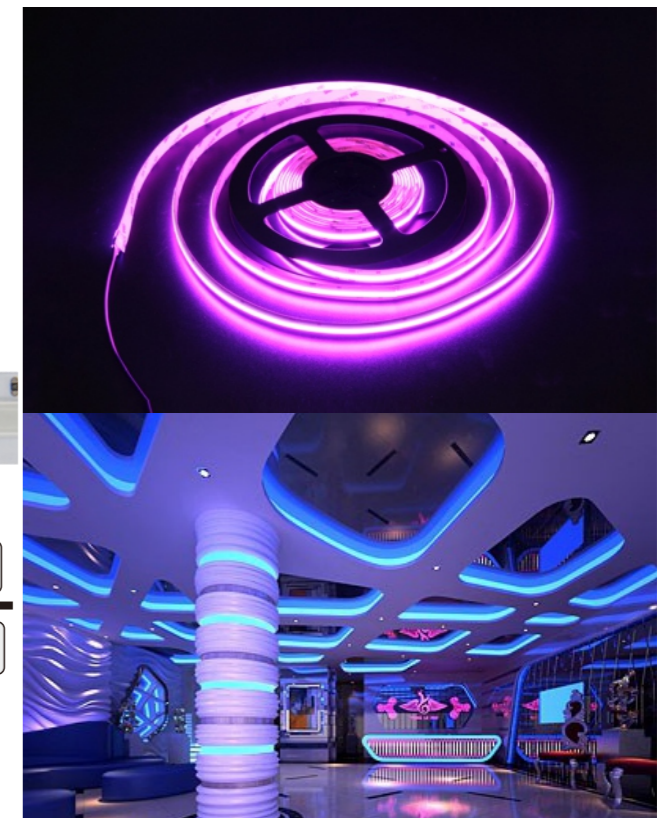
Product Number	S010840ZC3PZ
Operating Voltage	DC24V
Power/M	15W
LED Type	COB/840LEDs/m
Cutting Length	50mm
Control	PWM
Color	RGB
Size (mm)	5000x10mm
Beam Angle	180°
Wavelength	R:620-625 G:520-525 B:460-465nm

Dimension (unit: mm/in)



Feature

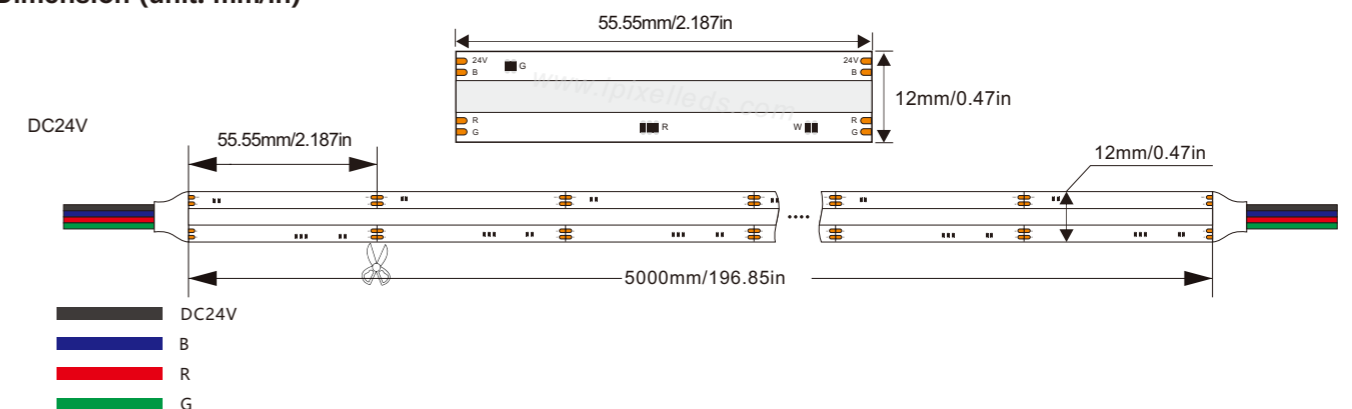
COB
RGB
1134LEDs/m



Product Datasheet

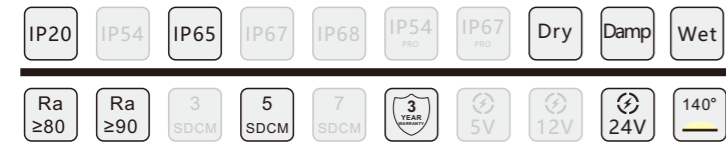
Product Number	S0121134ZC3PZ
Operating Voltage	DC24V
Power/M	15W
LED Type	COB/1134LEDs/m
Cutting Length	55.55mm
Control	PWM
Color	RGB
Size (mm)	5000x12mm
Beam Angle	180°
Wavelength	R:620-625 G:520-525 B:460-465nm

Dimension (unit: mm/in)



Feature

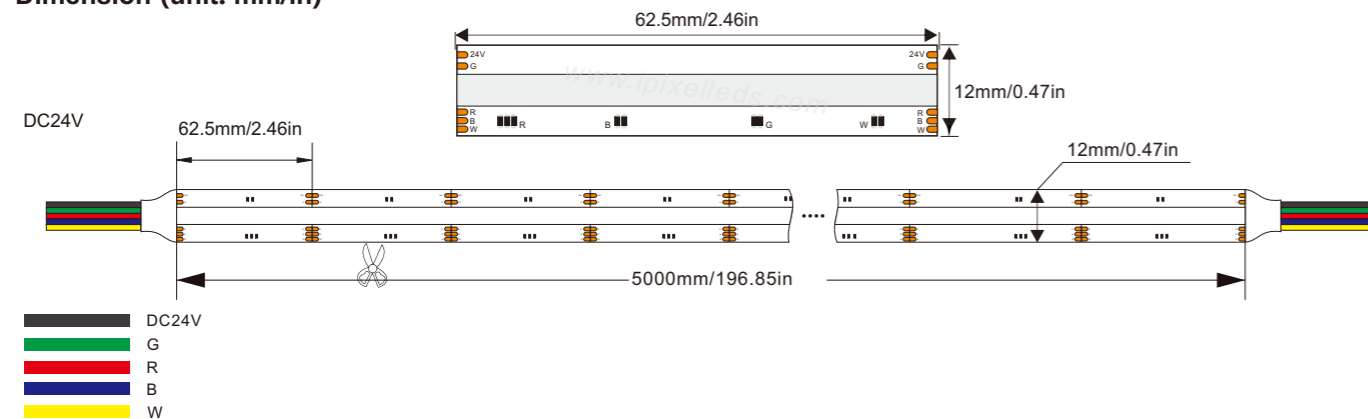
COB
RGBW
896LEDs/m



Product Datasheet

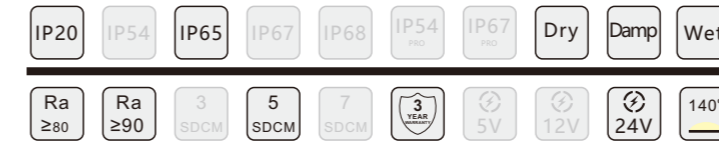
Product Number	S012896ZC4PZ
Operating Voltage	DC24V
Power/M	14W
LED Type	COB/896LEDs/m
Cutting Length	62.5mm
Control	PWM
Material	FPC
Color	RGBW:3000K/4000K/6500K
Size (mm)	5000x12mm
Beam Angle	180°

Dimension (unit: mm/in)



Feature

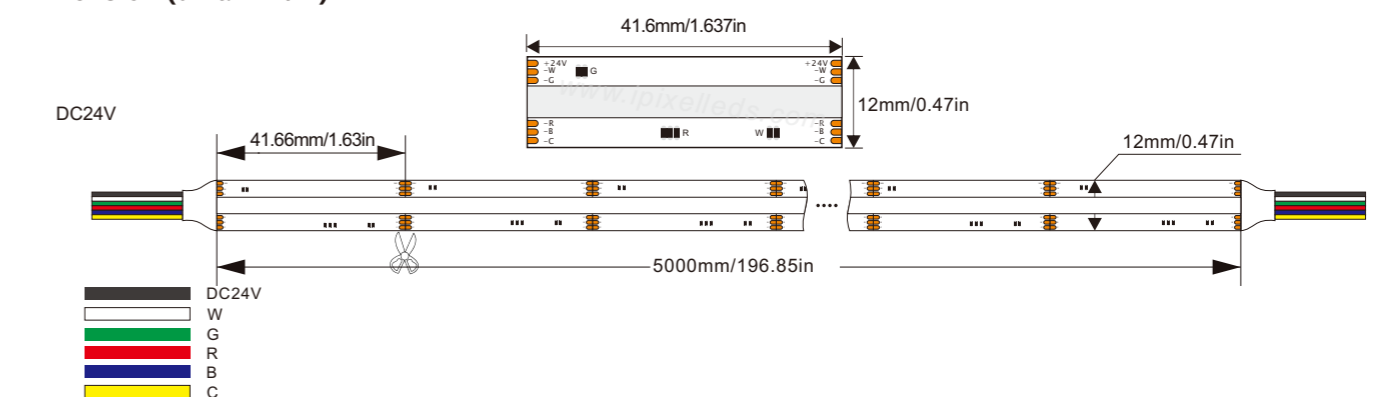
COB
RGBWW
840LEDs/m



Product Datasheet

Product Number	S012840ZC5PZ
Operating Voltage	DC24V
Power/M	16W
LED Type	COB/840LEDs/m
Cutting Length	41.66mm
Control	PWM
Color	RGBWW+2700K+6500K
Size (mm)	5000x12mm
Beam Angle	180°
Wavelength	R:615-630 G:520-535 B:450-460 nm

Dimension (unit: mm/in)



Feature

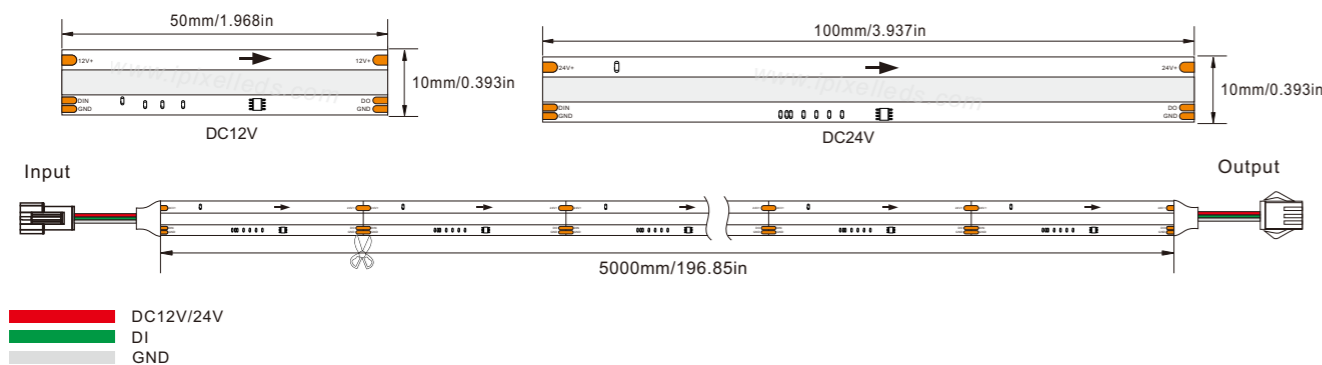
COB
Digital RGB
720LEDs/m



Product Datasheet

Product Number	S010720ZB3SF	S010720ZC3SF
Operating Voltage	DC12V	DC24V
Power/M	12W	12W
LED Type	COB/720LEDs/m	COB/720LEDs/m
Cutting Length	50mm	100mm
Control	SPI-WS2811	SPI-WS2811
Color	RGB	RGB
Size (mm)	5000x10mm	5000x10mm
Beam Angle	180°	180°
Wavelength	R:615-630 G:520-535 B:450-460 nm	R:615-630 G:520-535 B:450-460 nm

Dimension (unit: mm/in)



Feature

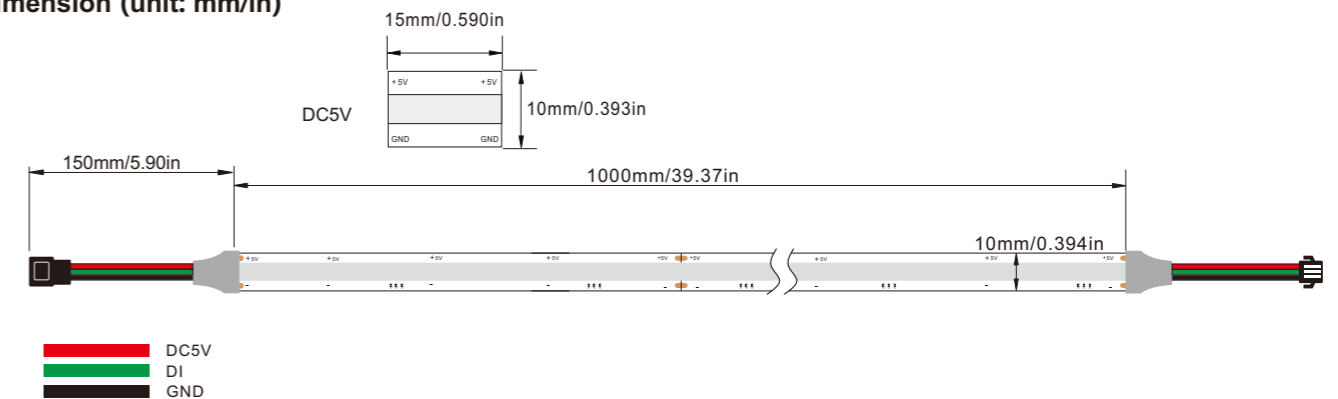
COB
Addressable RGB
332LEDs/m



Product Datasheet

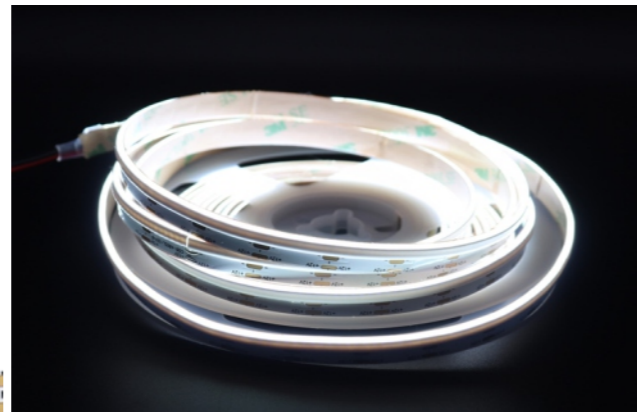
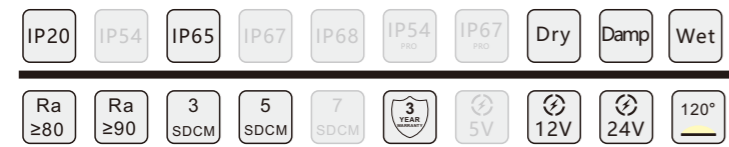
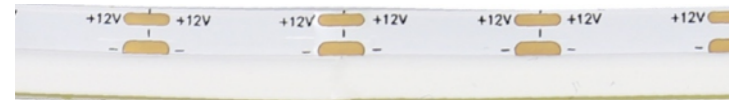
Product Number	S010332ZA3SA8
Operating Voltage	DC5V
Power/M	25W
LED Type	COB/332LEDs/m
Cutting Length	15mm
Control	SPI/SK6805/332pcs
Beam Angle	180°
Color	RGB
Size (mm)	1000x10mm

Dimension (unit: mm/in)



Feature

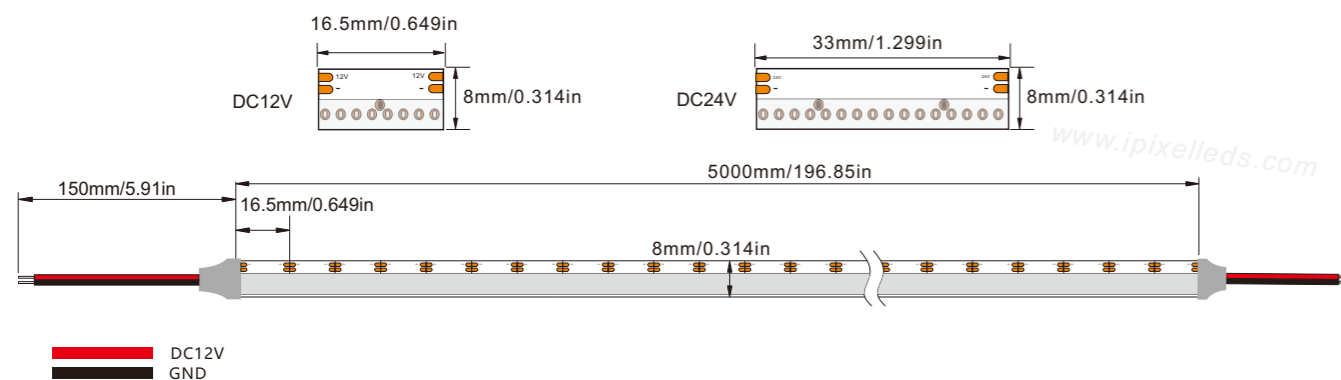
Side emitting series
COB Single color
480LEDs/m



Product Datasheet

Product Number	S008480ZB1LZ (C)	S008480ZC1LZ(C)
Operating Voltage	DC12V	DC24V
Power/M	12W	12W
LED Type	COB/480LEDs/m	COB/480LEDs/m
Cutting Length	16.5mm	33mm
Material	FPC	FPC
Color	3000K/4000K6500K	3000K/4000K6500K
Size (mm)	5000x8mm	5000x8mm
Beam Angle	120°	120°

Dimension (unit: mm/in)



Feature

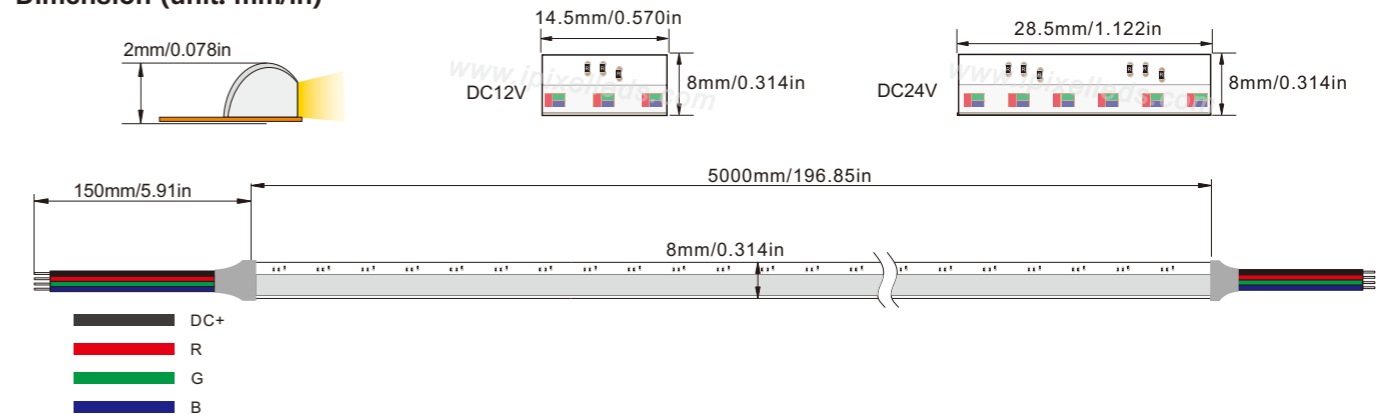
Side emitting series
COB RGB
630LEDs/m



Product Datasheet

Product Number	S008630ZB3PZ (C)	S008630ZC3PZ (C)
Operating Voltage	DC12V	DC24V
Power/M	12W	12W
LED Type	COB/630LEDs/m	COB/630LEDs/m
Cutting Length	14.5mm	28.5mm
Control	PWM	PWM
Beam Angle	120°	120°
Color	RGB	RGB
Size (mm)	5000x8mm	5000x8mm

Dimension (unit: mm/in)



COB LED Strip

Feature

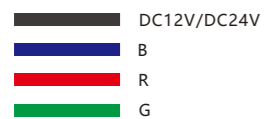
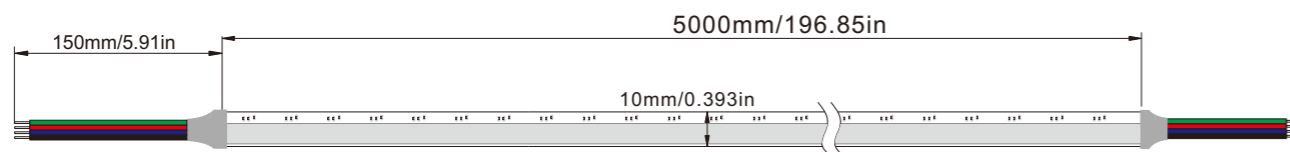
Side emitting series
COB RGB
840LEDs/m



Product Datasheet

Product Number	S010840ZB3PZ (C)	S010840ZC3PZ (C)
Operating Voltage	DC12V	DC24V
Power/M	12W	12W
LED Type	COB/840LEDs/m	COB/840LEDs/m
Cutting Length	16.66mm	33.33mm
Control	PWM	PWM
Color	RGB	RGB
Size (mm)	5000x10mm	5000x10mm
Beam Angle	180°	180°

Dimension (unit: mm/in)



Feature

- Mini cut 8.33mm
- Ultra-narrow 5mm
- High density 2835 120LEDs/m
- Single color



IP20 IP64 IP65 IP67 IP68 IP65 PRO IP67 PRO Dry Damp Wet

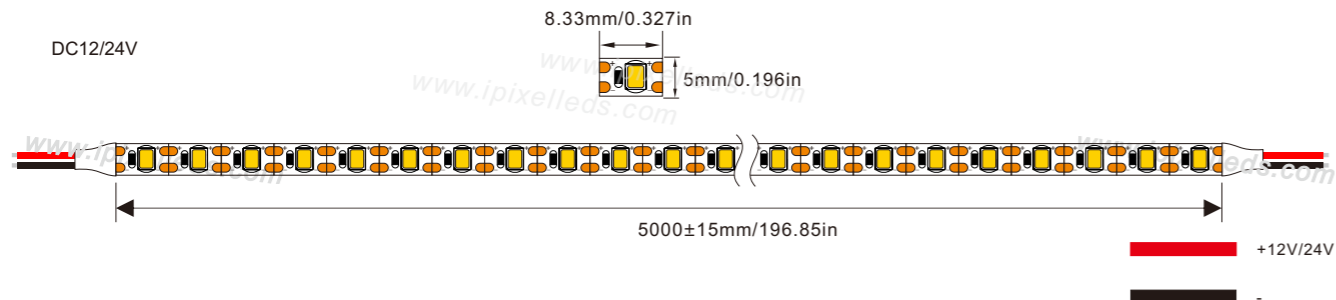
Ra ≥80 Ra ≥90 3 SDCM 5 SDCM 7 SDCM 3 YEAR WARRANTY 5V 12V 24V 120°



Product Datasheet

Product Number	S005120BB1LZ(M)	S005120BC1LZ(M)
Operating Voltage	DC12V	DC24V
Power/M	6W	6W
SMD Type	SMD 2835/120LEDs/m	SMD 2835/120LEDs/m
Cutting Length	8.33mm/1LED	8.33mm/1LED
Material	FPC	FPC
Color	3000K/4000K/6500K	3000K/4000K/6500K
Size (mm)	5000x5mm	5000x5mm
ERP 2019	F/G	F/G
Luminance/m	641lm	641lm

Dimension (unit: mm/in)



Feature

- Mini cut 5.5mm
- Ultra-narrow 5mm
- High density 2835 180LEDs/m
- Single color



IP20 IP64 IP65 IP67 IP68 IP65 PRO IP67 PRO Dry Damp Wet

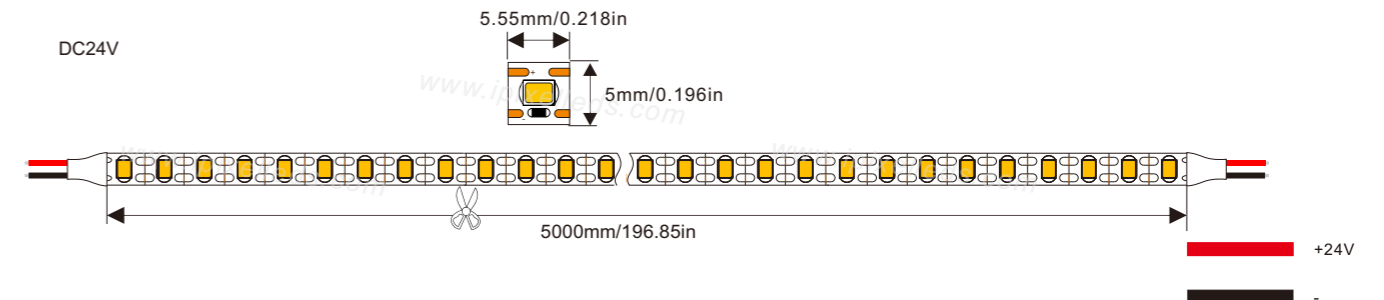
Ra ≥80 Ra ≥90 3 SDCM 5 SDCM 7 SDCM 3 YEAR WARRANTY 5V 12V 24V 120°



Product Datasheet

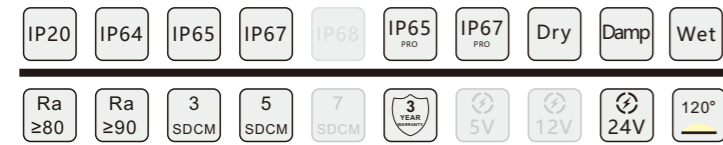
Product Number	S005180BC1LZ
Operating Voltage	DC24V
Power/M	7W
SMD Type	SMD 2835/180LEDs/m
Cutting Length	5.55mm/1LED
Material	FPC
Color	3000K/4000K/6500K
Size (mm)	5000x5mm
ERP 2019	F/G
Luminance/W	100lm/W

Dimension (unit: mm/in)



Feature

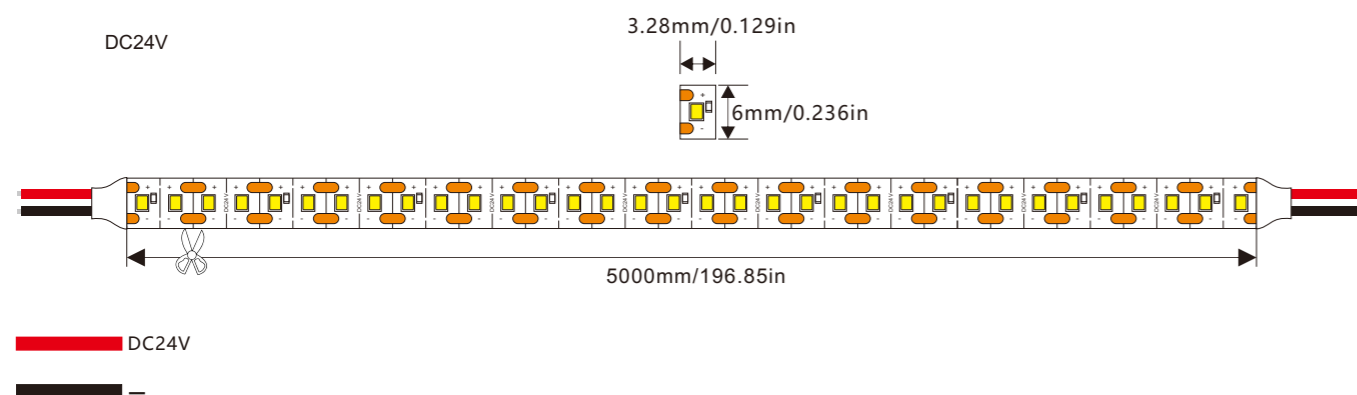
Mini cut
Single color
304LEDs/m



Product Datasheet

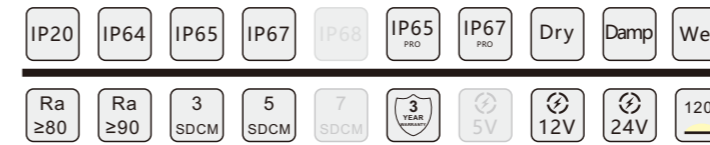
Product Number	S006304XC1LZ
Operating Voltage	DC24V
Power/M	6.5W
SMD Type	SMD 2219/304LEDs/m
Cutting Length	3.28mm/1LED
Color	3000K/4000K/6500K
Size (mm)	5000x6mm
Beam Angle	120°
Luminance/M	950lm
Thickness FPC	1+2 OZ copper

Dimension (unit: mm/in)



Feature

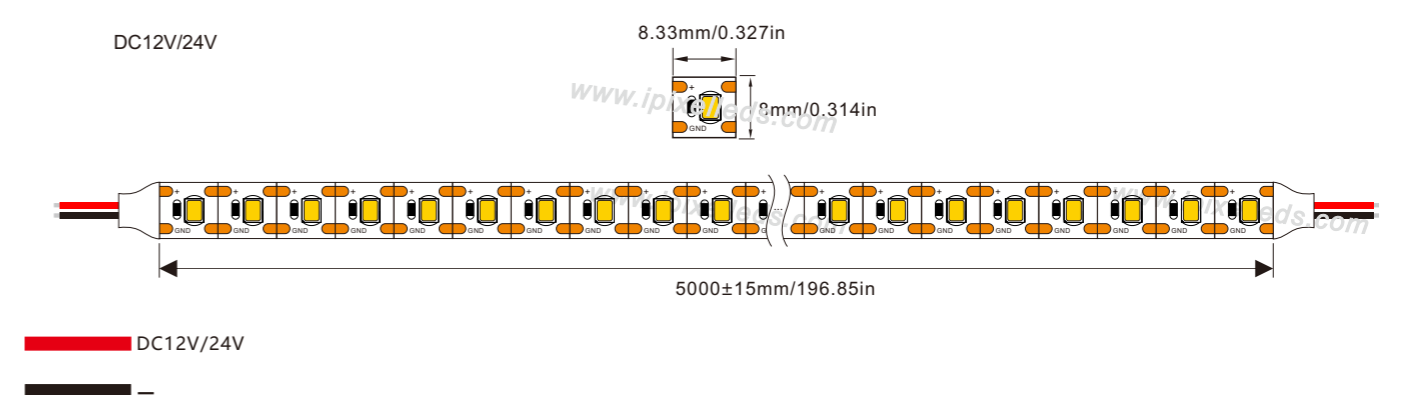
Mini cut
Single color
120LEDs/m



Product Datasheet

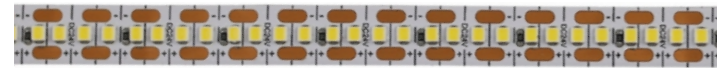
Product Number	S008120BBLZ(M)	S008120BCLZ(M)
Operating Voltage	DC12V	DC24V
Power/M	10W	10W
SMD Type	SMD 2835/120LEDs/m	SMD 2835/120LEDs/m
Cutting Length	8.33mm/1LED	8.33mm/1LED
Color	3000K/4000K/6500K	3000K/4000K/6500K
Size (mm)	5000x8mm	5000x8mm
Beam Angle	120°	120°
Luminance/M	922lm	922lm
Thickness FPC	1+2 OZ copper	1+2 OZ copper

Dimension (unit: mm/in)



Feature

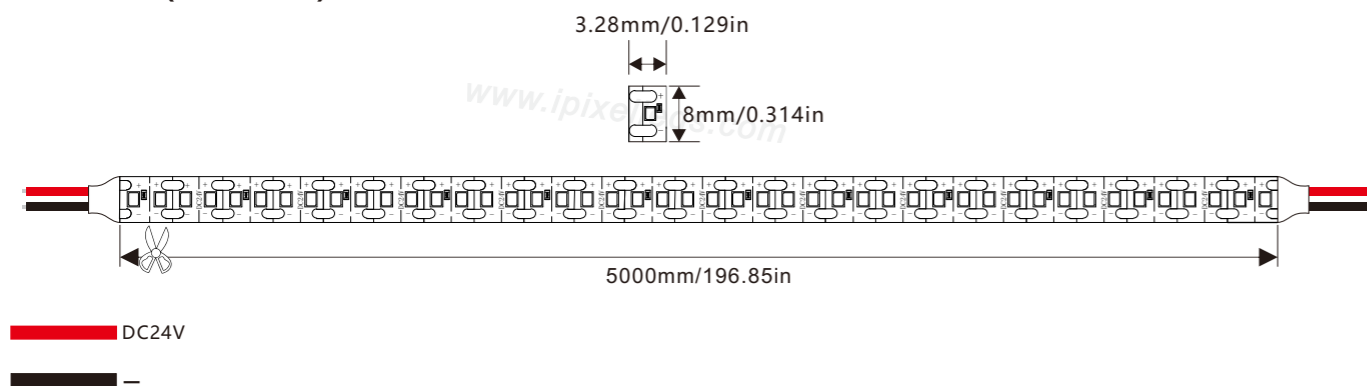
Mini cut
Single color
304LEDs/m



Product Datasheet

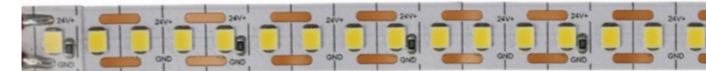
Product Number	S008304XC1LZ
Operating Voltage	DC24V
Power/M	10W
SMD Type	SMD 2219/304LEDs/m
Cutting Length	3.28mm/1LED
Color	3000K/4000K/6500K
Size (mm)	5000x8mm
Beam Angle	120°
Luminance/M	1631lm
Thickness FPC	1+2 OZ copper

Dimension (unit: mm/in)



Feature

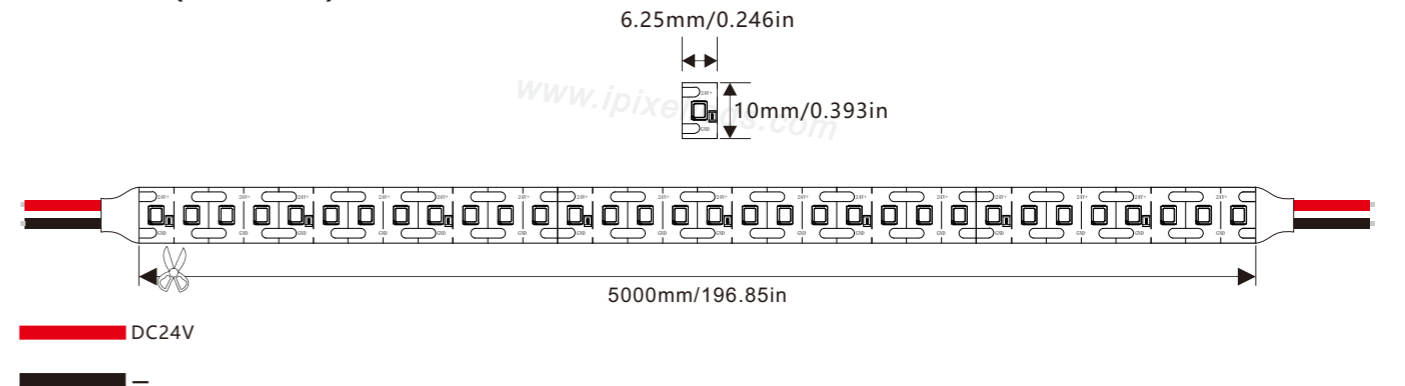
Mini cut
Single color
160LEDs/m



Product Datasheet

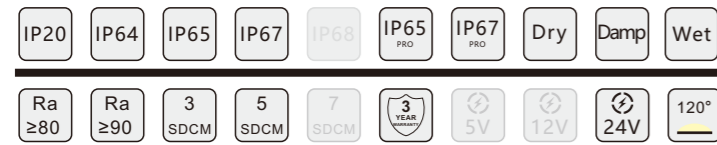
Product Number	S010160BC1LZ
Operating Voltage	DC24V
Power/M	13W
SMD Type	SMD 2835/160LEDs/m
Cutting Length	6.25mm/1LED
Color	3000K/4000K/6500K
Size (mm)	5000x10mm
Beam Angle	120°
Luminance/M	2047lm
Thickness FPC	1+2 OZ copper

Dimension (unit: mm/in)



Feature

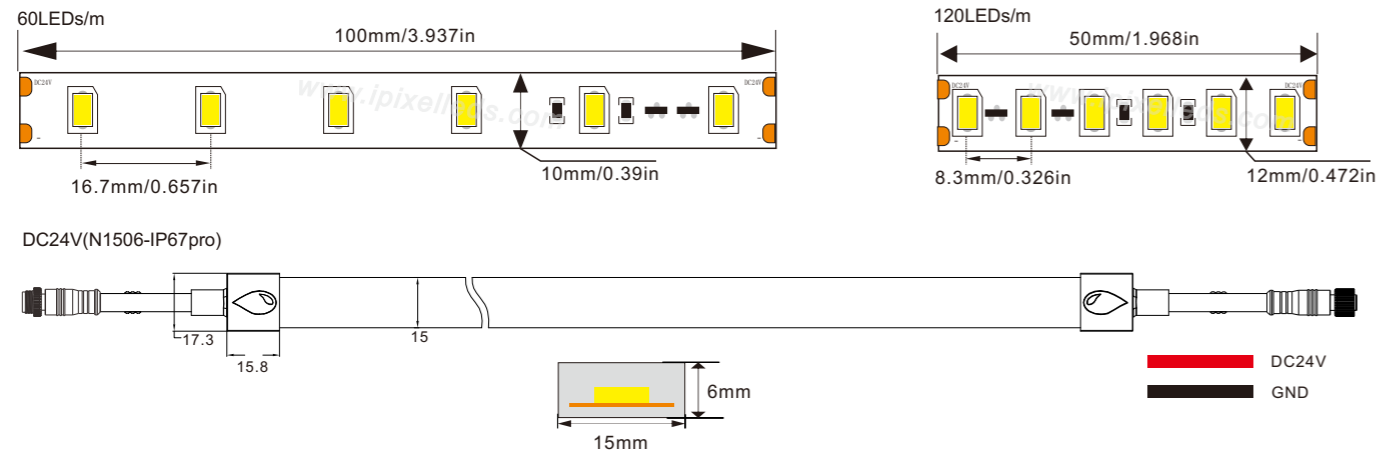
Constant current
Single color
60LED/120LEDs/m



Product Datasheet

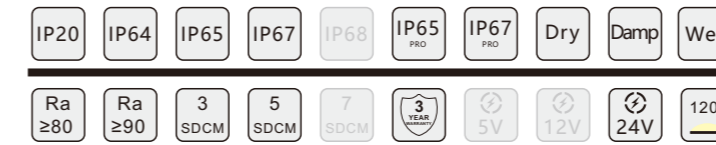
Product Number	S010060BC1HZ	S012120BC1HZ	S012120BC1HZ(N1506-IP67Pro)
Operating Voltage	DC24V	DC24V	DC24V
Power/M	4.8W	10W	10W
SMD Type	SMD 2835/60LEDs/m	SMD 2835/120LEDs/m	SMD 2835/120LEDs/m
Cutting Length	100mm/6LED	50mm/6LED	50mm/6LED
Color	3000K/4000K/6500K	3000K/4000K/6500K	3000K/4000K/6500K
Size (mm)	20000x10mm	15000x12mm	5000x15X6mm
Beam Angle	120°	120°	120°
Luminance/M	767lm	989lm	750lm
Thickness FPC	1+2 OZ copper	1+2 OZ copper	1+2 OZ copper

Dimension (unit: mm/in)



Feature

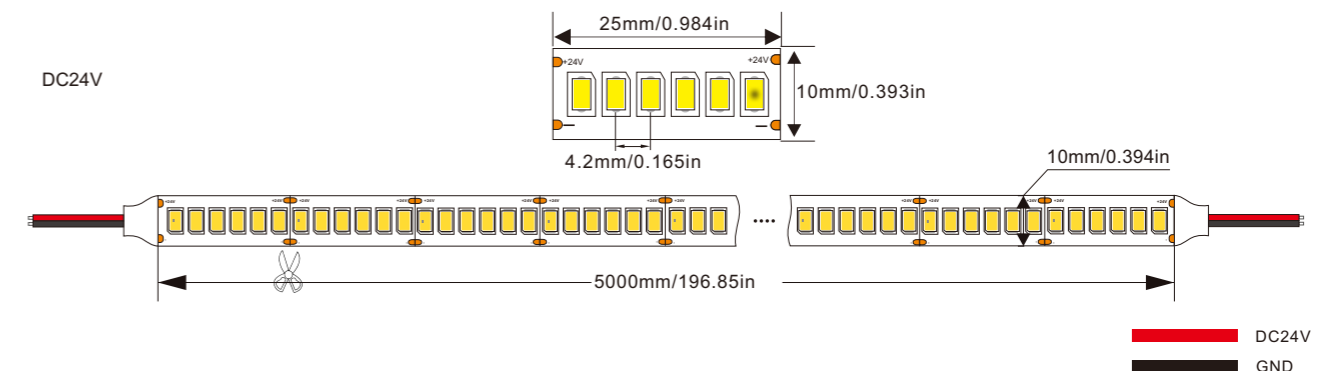
Constant current
Single color
High density 240LEDs/m



Product Datasheet

Product Number	S010240BC1HZ
Operating Voltage	DC24V
Power/M	20W
SMD Type	SMD 2835/240LEDs/m
Cutting Length	25mm
Color	3000K/4000K/6500K
Luminance/M	1450lm
Size (mm)	5000x10mm
Beam Angle	120°
Thickness FPC	1+2 OZ copper

Dimension (unit: mm/in)



Feature

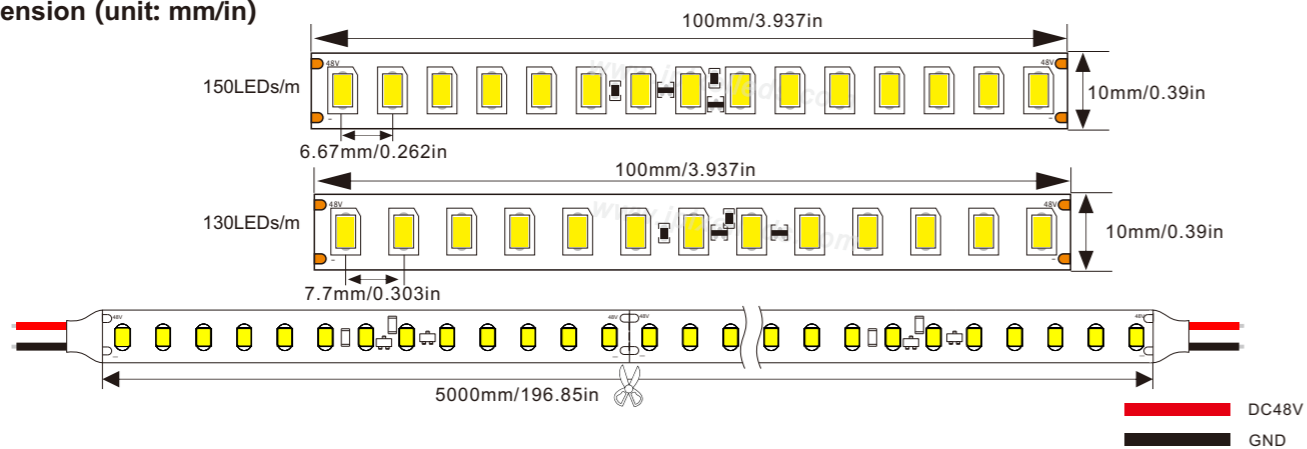
Constant current
Single color
DC48V



Product Datasheet

Product Number	S010130BJ1HZ	S010150BJ1HZ
Operating Voltage	DC48V	DC48V
Power/M	7W	10W
SMD Type	SMD 2835/130LEDs/m	SMD 2835/150LEDs/m
Cutting Length	100mm/13LED	100mm/15LED
Material	FPC	FPC
Color	3000K/4000K/6500K	3000K/4000K/6500K
Size (mm)	5000x10mm	5000x10mm
Beam Angle	120°	120°
Luminance/m	819lm	1273lm
Thickness FPC	1+2 OZ copper	1+2 OZ copper

Dimension (unit: mm/in)



Feature

S shape and bendable
Single color
Width 6mm



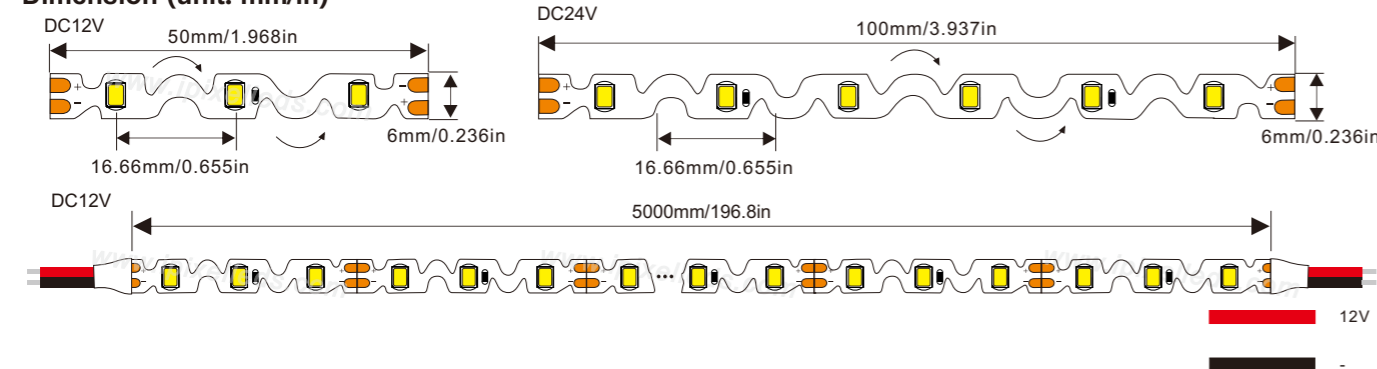
IP20 IP64 IP65 IP67 IP68 IP65 PRO IP67 PRO Dry Damp Wet
Ra ≥80 Ra ≥90 3 SDCM 5 SDCM 7 SDCM 3 YEAR 5V 12V 24V 120°



Product Datasheet

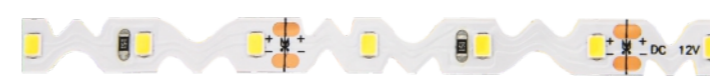
Product Number	S006060BB1LZ(S)	S006060BC1LZ(S)
Operating Voltage	DC12V	DC24V
Power/M	4.8W	4.8W
SMD Type	SMD 2835/60LEDs/m	SMD 2835/60LEDs/m
Cutting Length	50mm/3LED	100mm/6LED
CRI	≥90	≥90
Material	FPC	FPC
Operation Temperature	- 25 ~ 60 °C	- 25 ~ 60 °C
Size (mm)	5000x6mm	5000x6mm
CCT	3000K/4000K/6500K	3000K/4000K/6500K

Dimension (unit: mm/in)

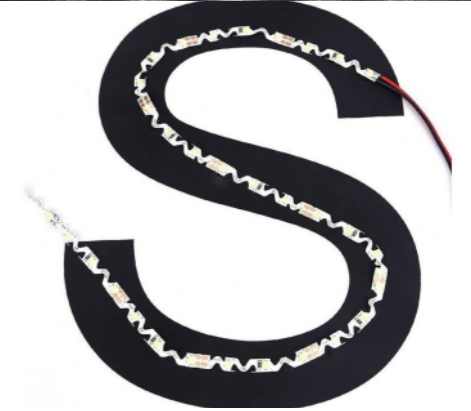


Feature

S shape and bendable
Single color
Width 7mm



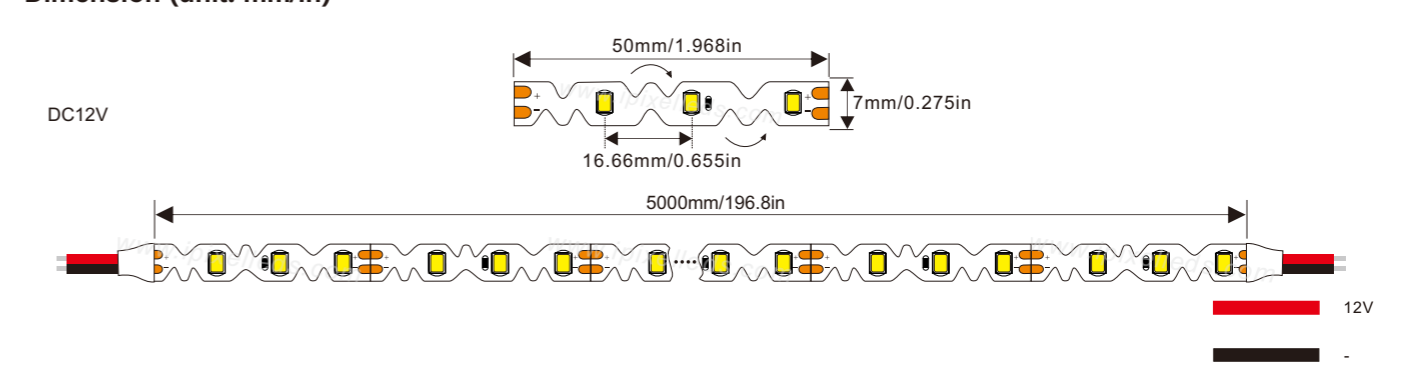
IP20 IP64 IP65 IP67 IP68 IP65 PRO IP67 PRO Dry Damp Wet
Ra ≥80 Ra ≥90 3 SDCM 5 SDCM 7 SDCM 3 YEAR 5V 12V 24V 120°



Product Datasheet

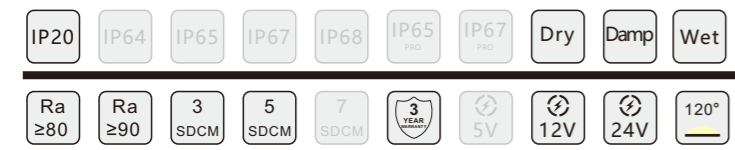
Product Number	S007060BB1LZ(S)
Operating Voltage	DC12V
Power/M	6W
SMD Type	SMD 2835/60LEDs/m
Cutting Length	50mm/3LED
CRI	≥90
Material	FPC
Operation Temperature	- 25 ~ 60 °C
Size (mm)	5000x7mm
CCT	3000K/4000K/6500K

Dimension (unit: mm/in)



Feature

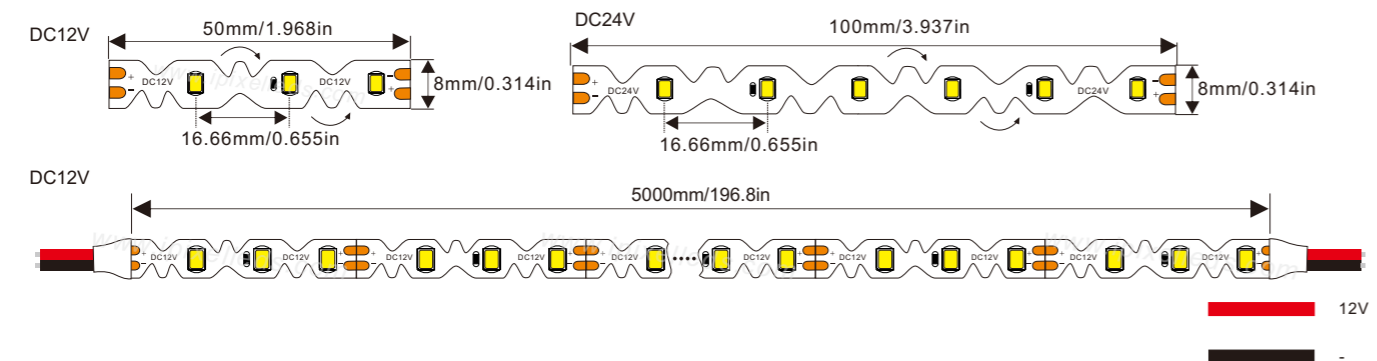
S shape and bendable
Single color
Width 8mm



Product Datasheet

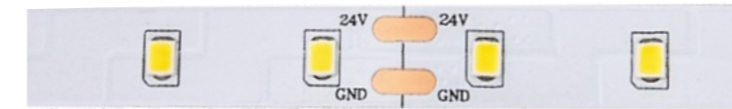
Product Number	S008060BB1LZ(S)	S008060BC1LZ(S)
Operating Voltage	DC12V	DC24V
Power/M	4.8W	4.8W
SMD Type	SMD 2835/60LEDs/m	SMD 2835/60LEDs/m
Cutting Length	50mm/3LED	100mm/6LED
CRI	≥90	≥90
Material	FPC	FPC
Operation Temperature	-25 ~ 60 °C	-25 ~ 60 °C
Size (mm)	5000x8mm	5000x8mm
CCT	3000K/4000K/6500K	3000K/4000K/6500K

Dimension (unit: mm/in)



Feature

High luminance efficiency and high Ra
Single color
64LEDs/m

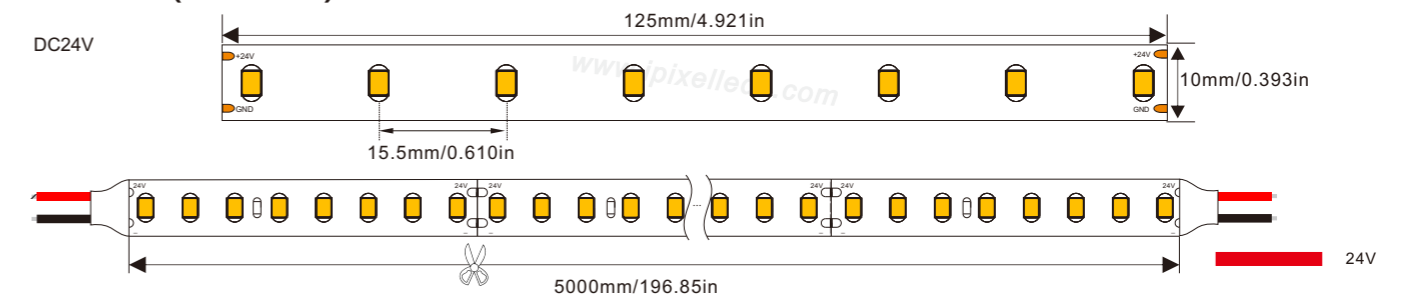


Product Datasheet

Product Number	Operating Voltage	ERP 2019	Power/M	SMD Type	Cutting Length				
S010064BC1LZ	DC24V	D/E	5W	SMD2835/64LEDs/m	125mm/8LED				
CCT	Lumens/w(Ra)				SDCM	Beam Angle	Size (mm)		
2000K	Ra80	☆105lm/w	☆130lm/w	Ra90	☆95lm/w	☆115lm/w	< 5	120°	5000X10mm
2300K		☆120lm/w	☆145lm/w		☆105lm/w	☆130lm/w			
2500K		☆135lm/w	☆160lm/w		☆120lm/w	☆145lm/w			
2700K		150lm/w	180lm/w		135lm/w	160lm/w			
3000K		150lm/w	180lm/w		135lm/w	160lm/w			
3500K		☆150lm/w	☆180lm/w		☆135lm/w	☆160lm/w			
4000K		150lm/w	180lm/w		135lm/w	160lm/w			
5000K		☆150lm/w	☆180lm/w		☆135lm/w	☆160lm/w			
6500K		150lm/w	180lm/w		135lm/w	160lm/w			

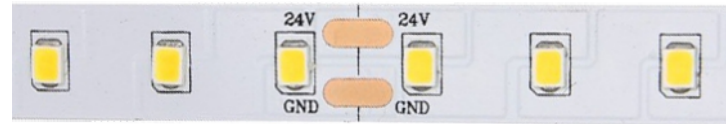
(Note: ☆ Customized, the rest are conventional)

Dimension (unit: mm/in)



Feature

High luminance efficiency and high Ra
 Single color
 90LEDs/m



- IP20 IP64 IP65 IP67 IP68 IP65 PRO IP67 PRO Dry Damp Wet

- Ra ≥80 Ra ≥90 3 SDCM 5 SDCM 7 SDCM 3 YEAR 5V 12V 24V 120°

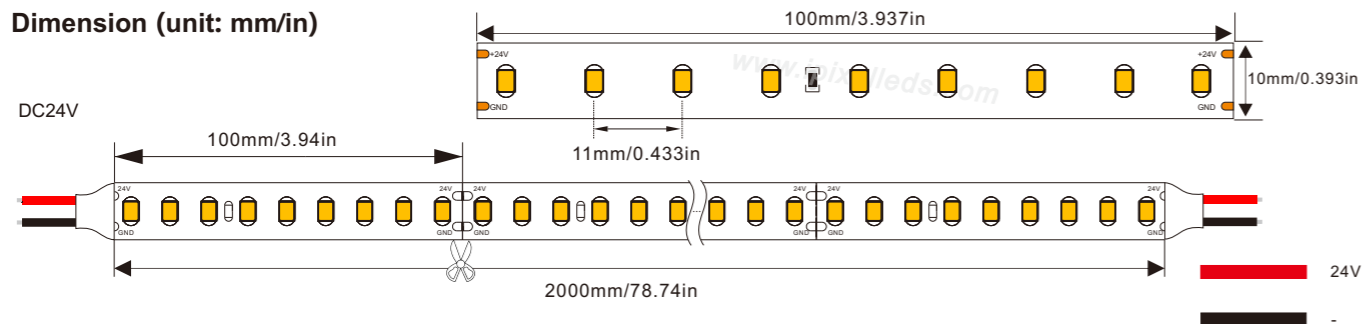


Product Datasheet

Product Number	Operating Voltage	ERP 2019	Power/M	SMD Type	Cutting Length
S010090BC1LZ	DC24V	B/C	5W	SMD2835/90LEDs/m	100mm/9LED
CCT	Lumens/w(Ra)		SDCM	Beam Angle	Size (mm)
2000K	Ra80	☆145lm/w	< 5	120°	2000X10mm
2300K		☆160lm/w			
2500K		☆180lm/w			
2700K		200lm/w			
3000K		200lm/w			
3500K		☆200lm/w			
4000K		200lm/w			
5000K		☆200lm/w			
6500K		200lm/w			

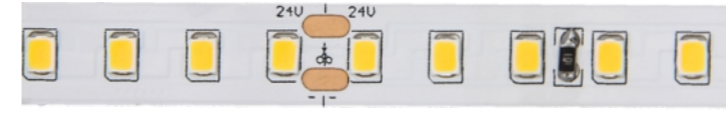
(Note: ☆ Customized, the rest are conventional)

Dimension (unit: mm/in)



Feature

High luminance efficiency and high Ra
 Single color
 128LEDs/m



- IP20 IP64 IP65 IP67 IP68 IP65 PRO IP67 PRO Dry Damp Wet

- Ra ≥80 Ra ≥90 3 SDCM 5 SDCM 7 SDCM 3 YEAR 5V 12V 24V 120°

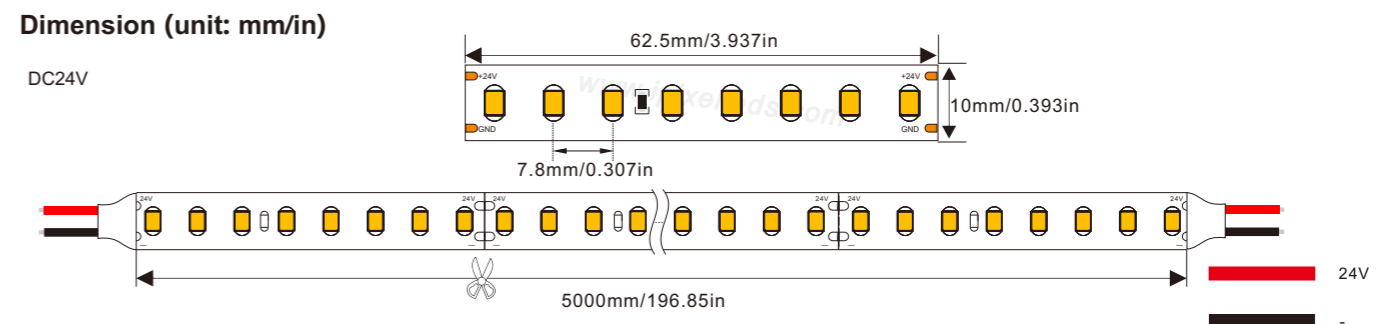


Product Datasheet

Product Number	Operating Voltage	ERP 2019	Power/M	SMD Type	Cutting Length
S010128BC1LZ	DC24V	D/E	10W	SMD2835/128LEDs/m	62.5mm/8LED
CCT	Lumens/w(Ra)		SDCM	Beam Angle	Size (mm)
2000K	Ra80	☆105lm/w	< 5	120°	5000X10mm
2300K		☆120lm/w			
2500K		☆135lm/w			
2700K		150lm/w			
3000K		150lm/w			
3500K		☆150lm/w			
4000K		150lm/w			
5000K		☆150lm/w			
6500K		150lm/w			

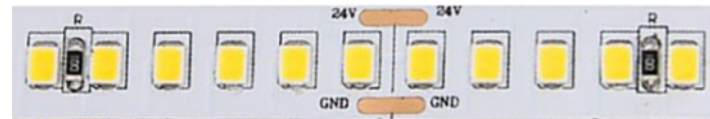
(Note: ☆ Customized, the rest are conventional)

Dimension (unit: mm/in)



Feature

High luminance efficiency and high Ra
 Single color
 180LEDs/m



- IP20 IP64 IP65 IP67 IP68 IP65 PRO IP67 PRO Dry Damp Wet

- Ra ≥80 Ra ≥90 3 SDCM 5 SDCM 7 SDCM 3 YEAR 5V 12V 24V 120°

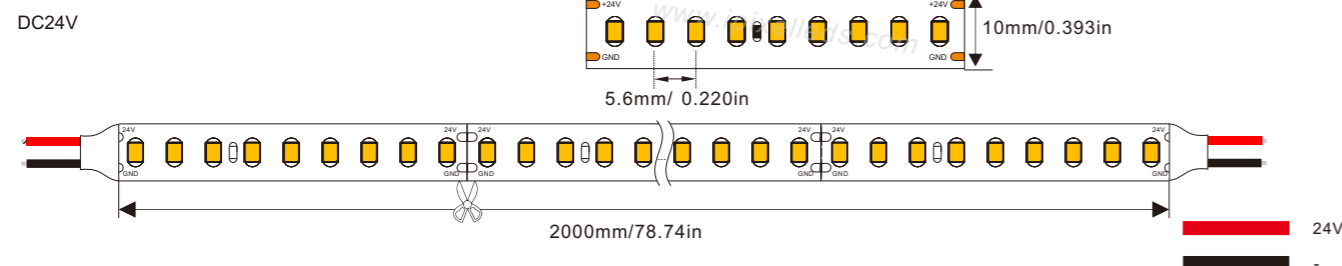


Product Datasheet

Product Number	Operating Voltage	ERP 2019	Power/M	SMD Type	Cutting Length
S010180BC1LZ	DC24V	B/C	10W	SMD2835/180LEDs/m	50mm/9LED
CCT	Lumens/w(Ra)		SDCM	Beam Angle	Size (mm)
2000K	Ra80	☆145lm/w	< 5	120°	2000X10mm
2300K		☆160lm/w			
2500K		☆180lm/w			
2700K		200lm/w			
3000K		200lm/w			
3500K		☆200lm/w			
4000K		200lm/w			
5000K		☆200lm/w			
6500K		200lm/w			

(Note: ☆ Customized, the rest are conventional)

Dimension (unit: mm/in)



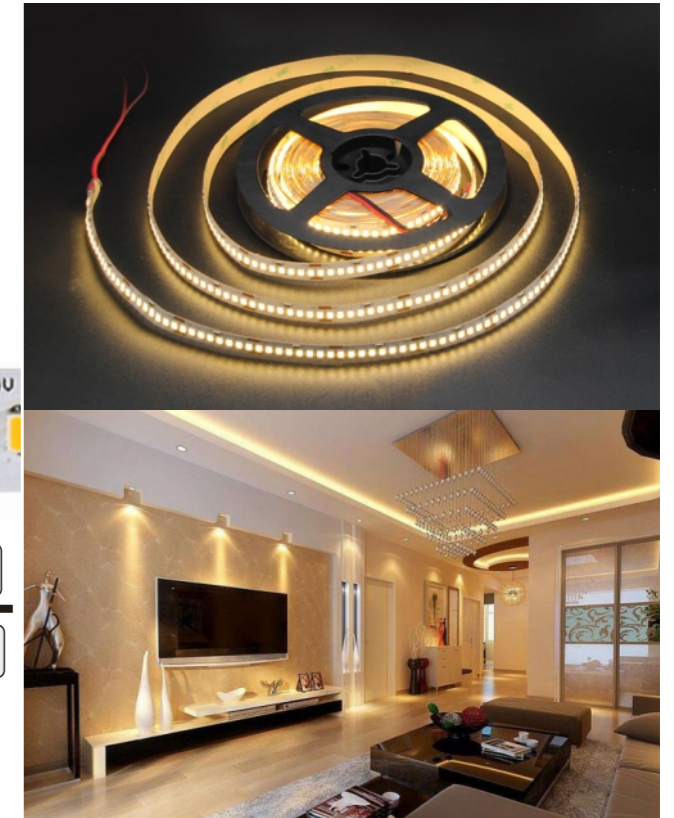
Feature

High luminance efficiency and high Ra
 Single color
 224LEDs/m



- IP20 IP64 IP65 IP67 IP68 IP65 PRO IP67 PRO Dry Damp Wet

- Ra ≥80 Ra ≥90 3 SDCM 5 SDCM 7 SDCM 3 YEAR 5V 12V 24V 120°

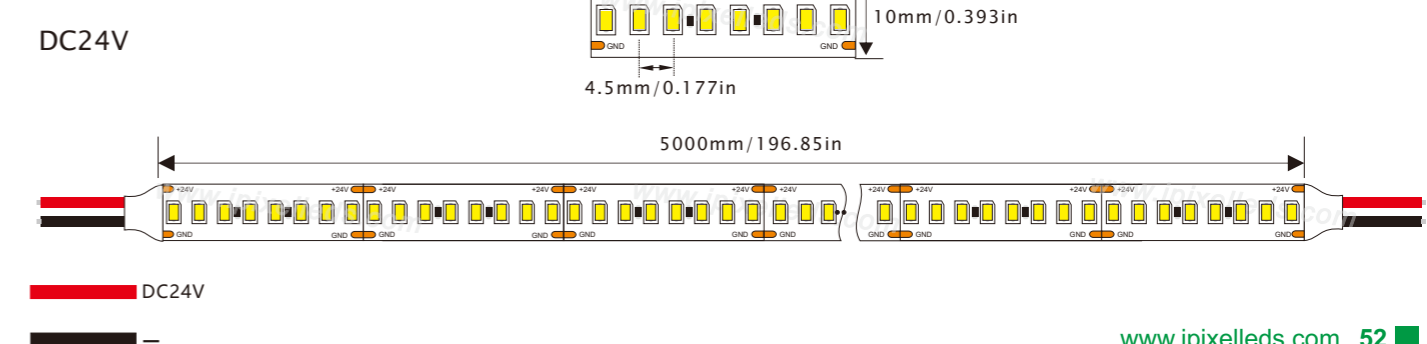


Product Datasheet

Product Number	Operating Voltage	ERP 2019	Power/M	SMD Type	Cutting Length
S010224BC1LZ	DC24V	D/E	14W	SMD2835/224LEDs/m	35.71mm/8LED
CCT	Lumens/w(Ra)		SDCM	Beam Angle	Size (mm)
2000K	Ra80	☆105lm/w	< 5	120°	5000X10mm
2300K		☆120lm/w			
2500K		☆135lm/w			
2700K		150lm/w			
3000K		150lm/w			
3500K		☆150lm/w			
4000K		150lm/w			
5000K		☆150lm/w			
6500K		150lm/w			

(Note: ☆ Customized, the rest are conventional)

Dimension (unit: mm/in)





Feature

- Ultra-narrow 3mm
- High Density 120LEDs/m
- Single color
- 1+2 Ounce copper

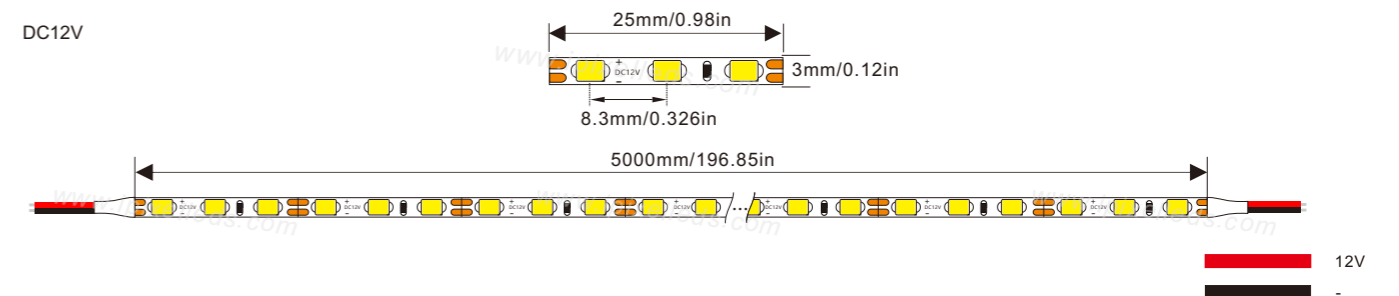


Product Datasheet

Product Number	S003120BB1LZ
Operating Voltage	DC12V
Power/M	4.8W
SMD Type	SMD 2835/120LEDs/m
Cutting Length	25mm/3LED
Operation Temperature	- 25 ~ 60 °C
Size (mm)	5000x3mm
Luminance/m	505lm
Color	3000K/4000K/6500K
FPC Color	White
Thickness FPC	2 OZ copper

Dimension (unit: mm/in)

DC12V



Feature

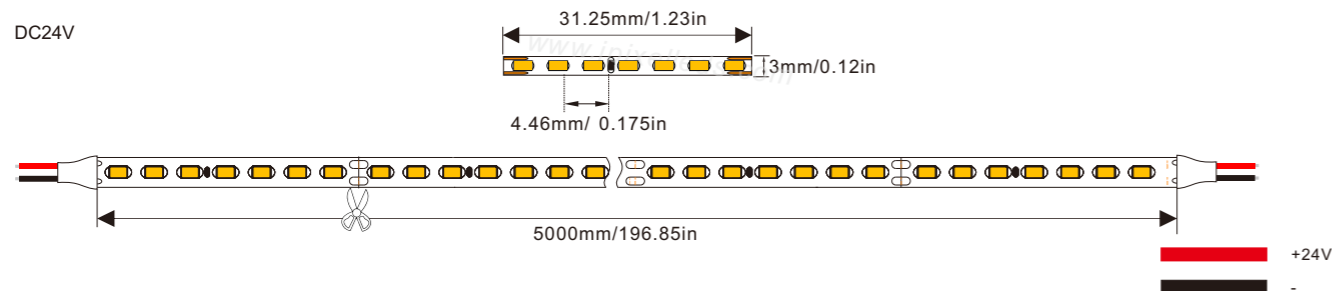
Ultra-narrow 3mm
 High density 3014 224LEDs/m
 Single color



Product Datasheet

Product Number	S003224GC1LZ
Operating Voltage	DC24V
Power/M	6W
SMD Type	SMD 3014/224LEDs/m
Cutting Length	31.25mm/7LED
Material	FPC
Color	3000K/4000K/6500K
Size (mm)	5000x3mm
ERP 2019	E/F
Luminance/W	130lm
Thickness FPC	2 OZ copper

Dimension (unit: mm/in)



Feature

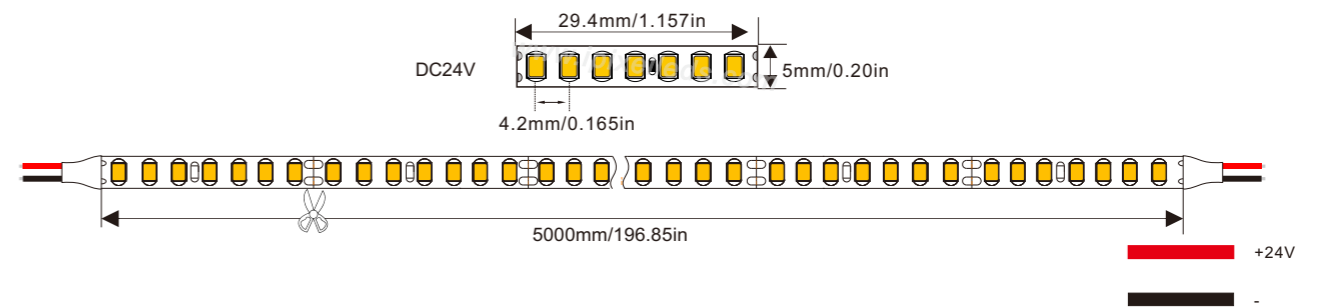
Ultra-narrow 5mm
 High density 2835 238LEDs/m
 Single color



Product Datasheet

Product Number	S005238BC1LZ
Operating Voltage	DC24V
Power/M	8W
SMD Type	SMD 2835/238LEDs/m
Cutting Length	29.4mm/7LED
Material	FPC
Color	3000K/4000K/6500K
Size (mm)	5000x5mm
ERP 2019	E
Luminance/W	130lm/W

Dimension (unit: mm/in)



Feature

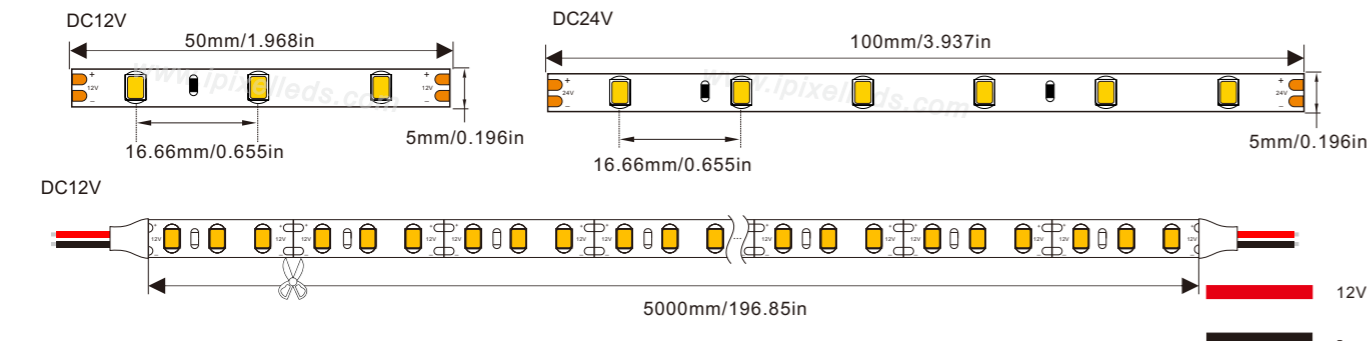
Ultra-narrow 5mm
Single color
12V/24V



Product Datasheet

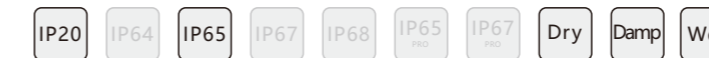
Product Number	S005060BB1LZ	S005060BC1LZ
Operating Voltage	DC12V	DC24V
Power/M	4.8W	4.8W
SMD Type	SMD 2835/60LEDs/m	SMD 2835/60LEDs/m
Cutting Length	50mm/3LED	100mm/6LED
Operation Temperature	- 25 ~ 60 °C	- 25 ~ 60 °C
Size (mm)	5000x5mm	5000x5mm
Beam Angle	120°	120°
Color	3000K/4000K/6500K	3000K/4000K/6500K
Thickness FPC	1+2 OZ copper	1+2 OZ copper

Dimension (unit: mm/in)



Feature

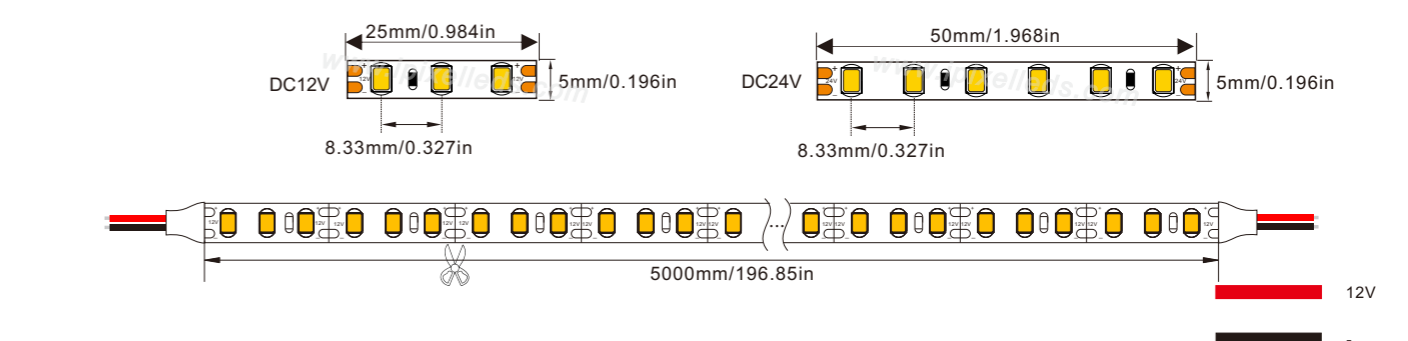
Ultra-narrow 5mm
High Density 120LEDs/m
12V/24V



Product Datasheet

Product Number	S005120BB1LZ	S005120BC1LZ
Operating Voltage	DC12V	DC24V
Power/M	6W	6W
SMD Type	SMD 2835/120LEDs/m	SMD 2835/120LEDs/m
Cutting Length	25mm/3LED	50mm/6LED
Operation Temperature	- 25 ~ 60 °C	- 25 ~ 60 °C
Size (mm)	5000x5mm	5000x5mm
Beam Angle	120°	120°
Color	3000K/4000K/6500K	3000K/4000K/6500K
Thickness FPC	1+2 OZ copper	1+2 OZ copper

Dimension (unit: mm/in)



Feature

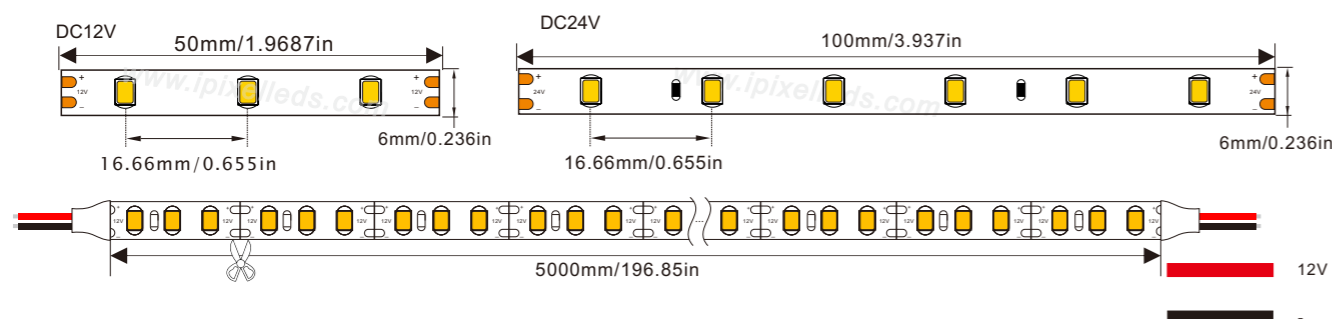
Ultra-narrow 6mm
Single color
1+2 Ounce copper



Product Datasheet

Product Number	S006060BB1LZ	S006060BC1LZ
Operating Voltage	DC12V	DC24V
Power/M	4.8W	4.8W
SMD Type	SMD 2835/60LEDs/m	SMD 2835/60LEDs/m
Cutting Length	50mm/3LED	100mm/6LED
Operation Temperature	- 25 ~ 60 °C	- 25 ~ 60 °C
Size (mm)	5000x6mm	5000x6mm
Beam Angle	120°	120°
Color	3000K/4000K/6500K	3000K/4000K/6500K
Thickness FPC	1+2 OZ copper	1+2 OZ copper

Dimension (unit: mm/in)



Feature

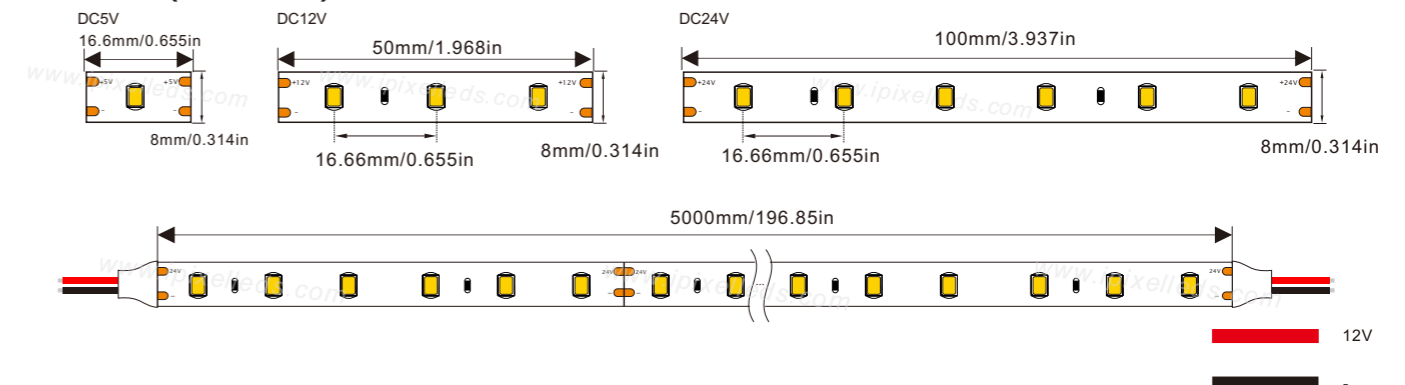
2835 60LEDs/m
Single color
5V/12V/24V available



Product Datasheet

Product Number	S008060BA1LZ	S008060BB1LZ	S008060BC1LZ
Operating Voltage	DC5V	DC12V	DC24V
Power/M	4.8W	4.8W	5.0W
SMD Type	SMD 2835/60LEDs/m	SMD 2835/60LEDs/m	SMD 2835/60LEDs/m
Cutting Length	16.66mm/1LED	50mm/3LED	100mm/6LED
Operation Temperature	- 25 ~ 60 °C	- 25 ~ 60 °C	- 25 ~ 60 °C
Size (mm)	5000x8mm	5000x8mm	5000x8mm
Color	3000K/4000K/6500K	3000K/4000K/6500K	3000K/4000K/6500K
Thickness FPC	1+2 OZ copper	1+2 OZ copper	1+2 OZ copper

Dimension (unit: mm/in)



Feature

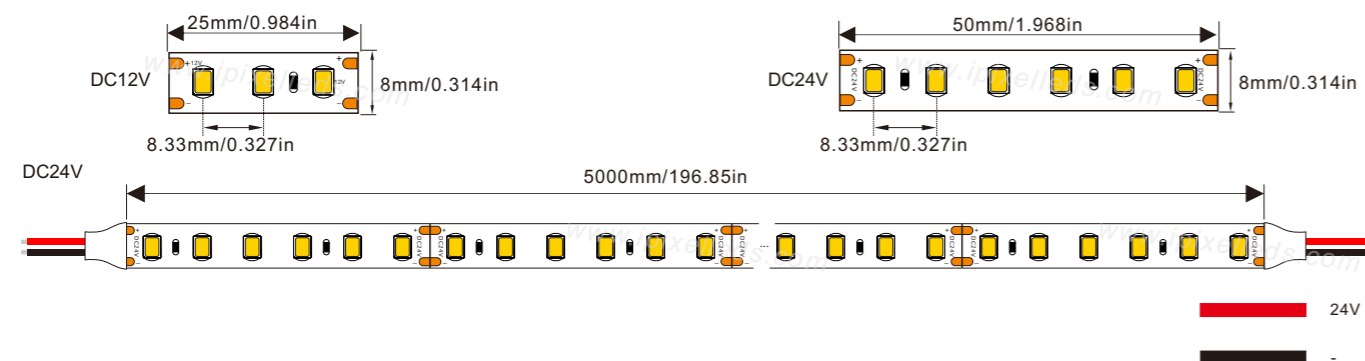
2835 120LEDs/m
Single color
8mm PCB



Product Datasheet

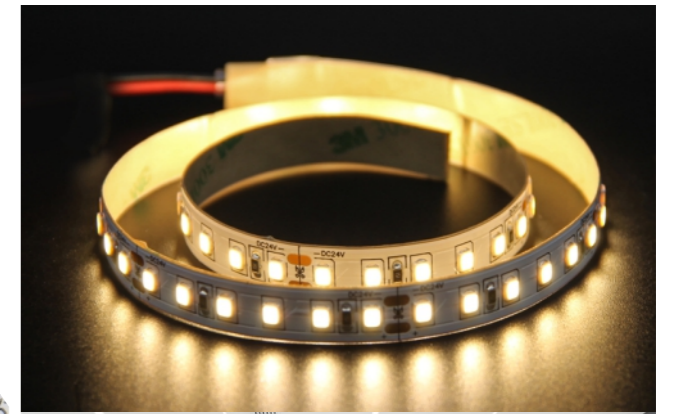
Product Number	S008120BB1LZ	S008120BC1LZ
Operating Voltage	DC12V	DC24V
Power/M	10W	10W
SMD Type	SMD 2835/120LEDs/m	SMD 2835/120LEDs/m
Cutting Length	25mm/3LED	50mm/6LED
Operation Temperature	- 25 ~ 60 °C	- 25 ~ 60 °C
Size (mm)	5000x8mm	5000x8mm
SDCM	< 5	< 5
Color	3000K/4000K/6500K	3000K/4000K/6500K
Thickness FPC	1+2 OZ copper	1+2 OZ copper

Dimension (unit: mm/in)



Feature

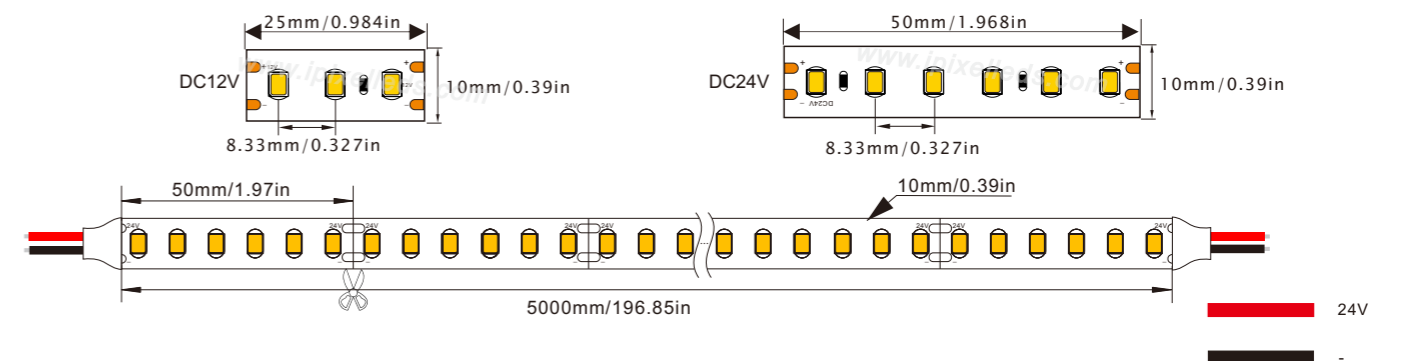
2835 120LEDs/m
Single color
10mm PCB



Product Datasheet

Product Number	S010120BB1LZ	S010120BC1LZ
Operating Voltage	DC12V	DC24V
Power/M	10W	10W
SMD Type	SMD 2835/120LEDs/m	SMD 2835/120LEDs/m
Cutting Length	25mm/3LED	50mm/6LED
Operation Temperature	- 25 ~ 60 °C	- 25 ~ 60 °C
Size (mm)	5000x10mm	5000x10mm
Beam Angle	120°	120°
Color	3000K/4000K/6500K	3000K/4000K/6500K
Thickness FPC	1+2 OZ copper	1+2 OZ copper

Dimension (unit: mm/in)



Feature

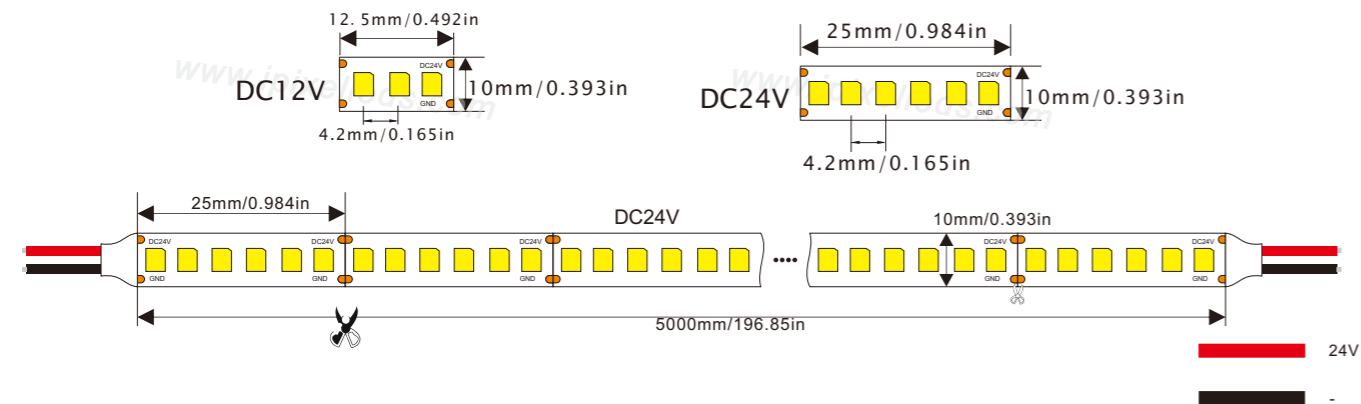
High density 2835 240LEDs/m
 Single color
 Single row LED & width 10mm



Product Datasheet

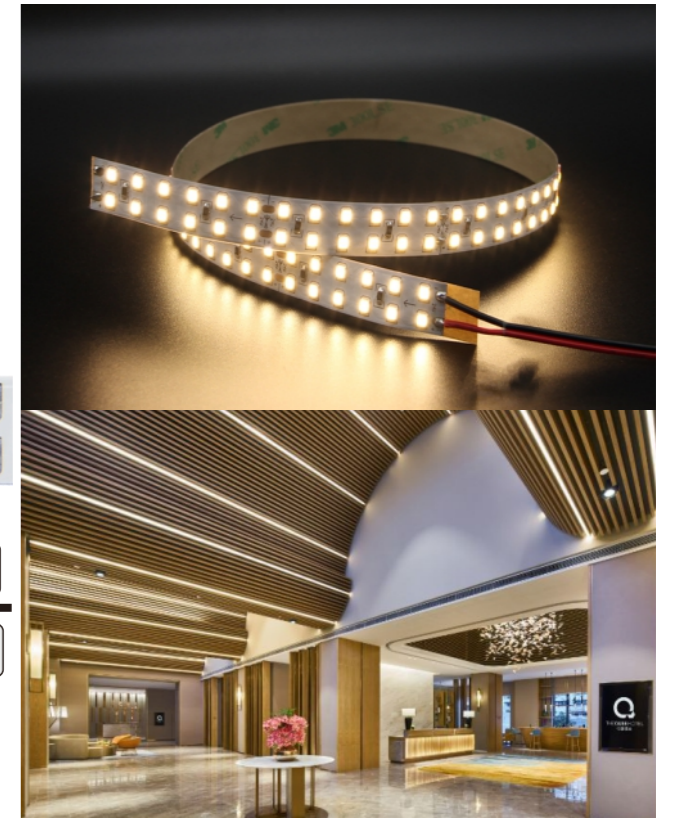
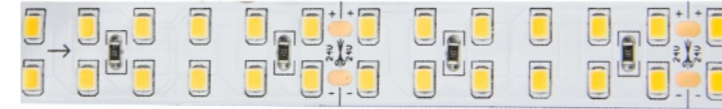
Product Number	S010240BB1LZ	S010240BC1LZ
Operating Voltage	DC12V	DC24V
Power/M	19W	19W
SMD Type	SMD 2835/240LEDs/m	SMD 2835/240LEDs/m
Cutting Length	12.5mm/3LED	25mm/6LED
Operation Temperature	- 25 ~ 60 °C	- 25 ~ 60 °C
Size (mm)	5000x10mm	5000x10mm
Beam Angle	120°	120°
Color	3000K/4000K/6500K	3000K/4000K/6500K
FPC Color	White	White

Dimension (unit: mm/in)



Feature

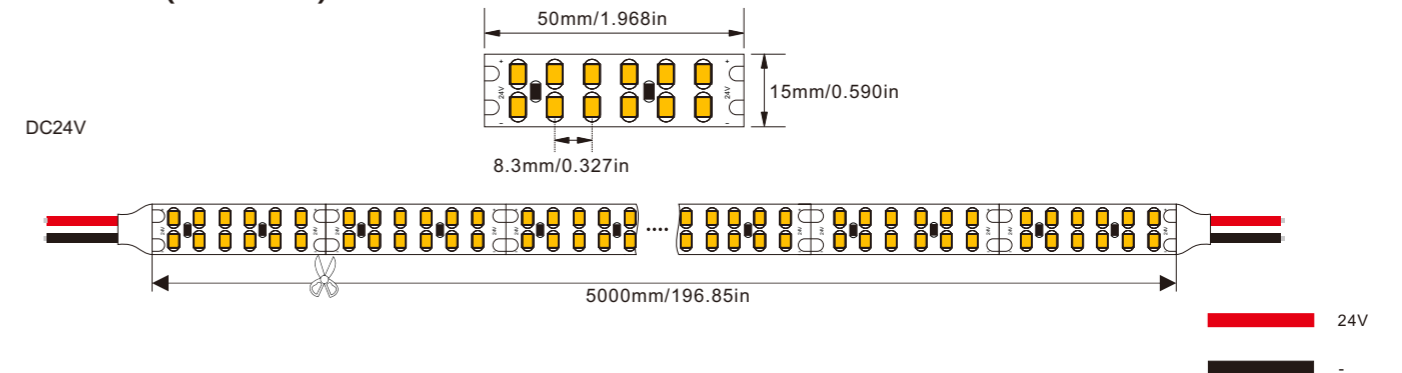
2835 240LEDs/m
 Single color
 Double row LED & width 15mm



Product Datasheet

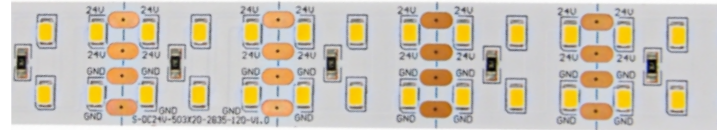
Product Number	S015240BC1LZ
Operating Voltage	DC24V
Power/M	19.2W
SMD Type	SMD 2835/240LEDs/m
Cutting Length	50mm/12LED
Operation Temperature	- 25 ~ 60 °C
Size (mm)	5000x15mm
Beam Angle	120°
Color	3000K/4000K/6500K
Thickness FPC	1+2 OZ copper

Dimension (unit: mm/in)



Feature

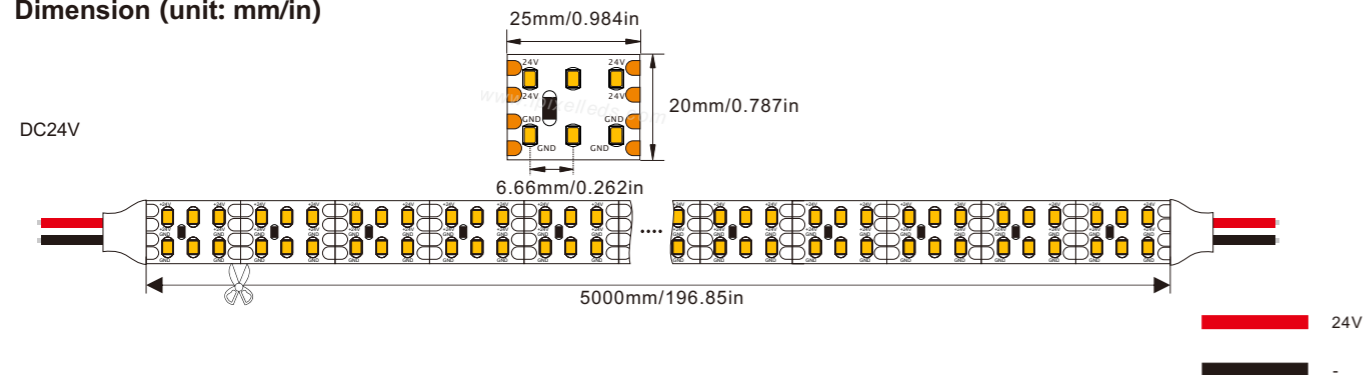
2835 240LEDs/m
Single color
Double row LED & width 20mm



Product Datasheet

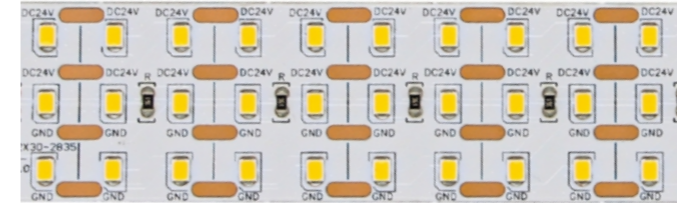
Product Number	S020240BC1LZ
Operating Voltage	DC24V
Power/M	19.2W
SMD Type	SMD 2835/240LEDs/m
Cutting Length	25mm/6LED
Operation Temperature	- 25 ~ 60 °C
Size (mm)	5000x20mm
Beam Angle	120°
Color	3000K/4000K/6500K
Thickness FPC	1+2 OZ copper

Dimension (unit: mm/in)



Feature

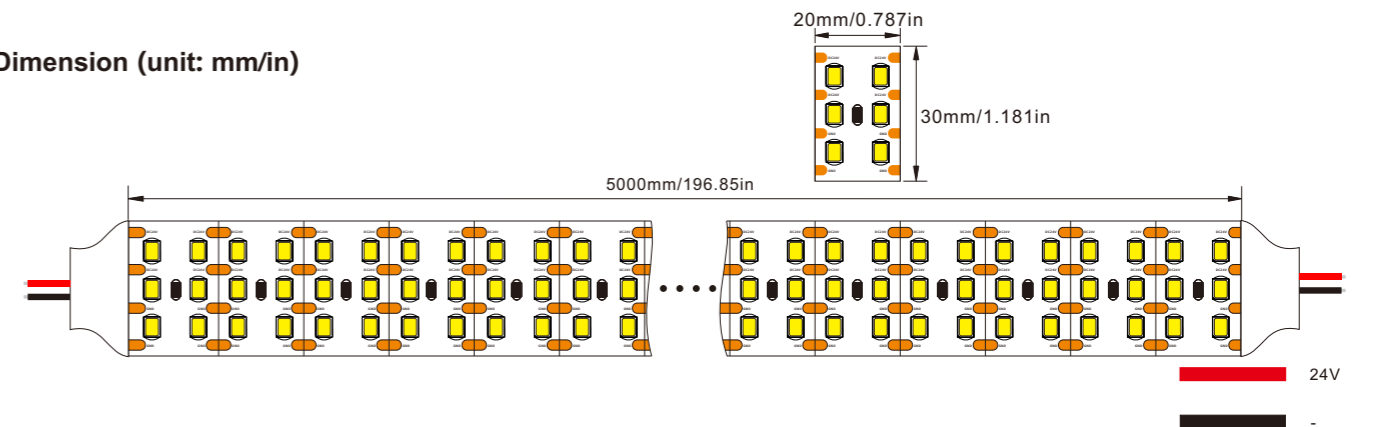
2835 300LEDs/m
Single color
Three row LED & width 30mm



Product Datasheet

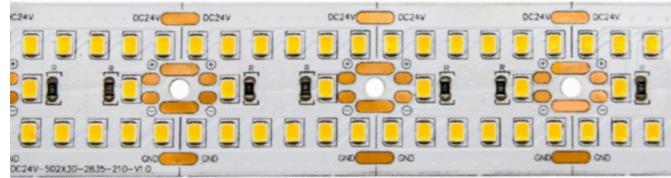
Product Number	S030300BC1LZ
Operating Voltage	DC24V
Power/M	24W
SMD Type	SMD 2835/300LEDs/m
Cutting Length	20mm/6LED
Operation Temperature	- 25 ~ 60 °C
Size (mm)	5000x30mm
Beam Angle	120°
Color	3000K/4000K/6500K
Thickness FPC	1+2 OZ copper

Dimension (unit: mm/in)



Feature

2835 300LEDs/m
Single color
Three row LED & width 30mm



IP20 IP64 IP65 IP67 IP68 IP65 PRO IP67 PRO Dry Damp Wet

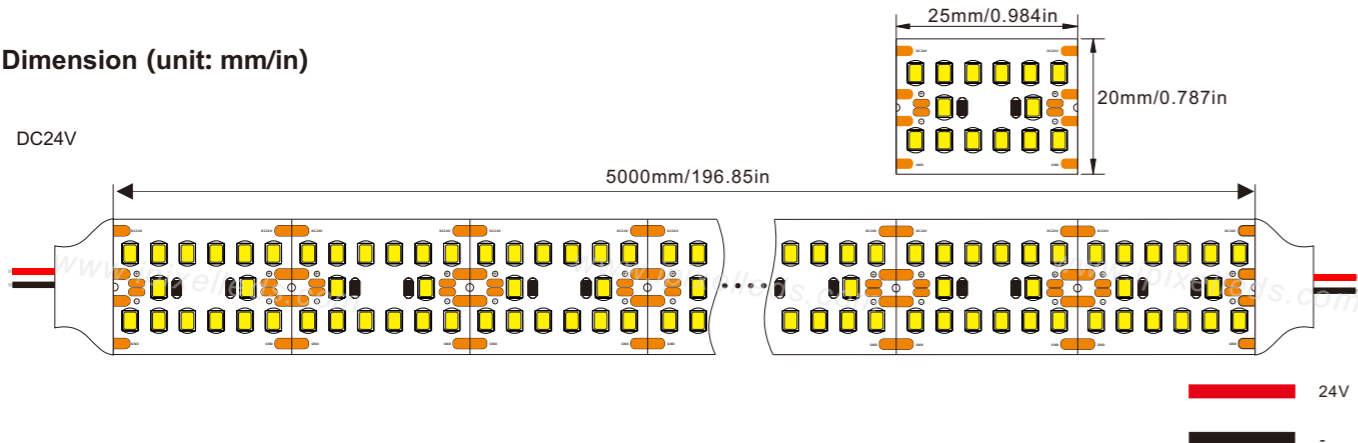
Ra ≥80 Ra ≥90 3 SDCM 5 SDCM 7 SDCM 3 YEAR 5V 12V 24V 120°



Product Datasheet

Product Number	S030420BC1LZ
Operating Voltage	DC24V
Power/M	30W
SMD Type	SMD 2835/420LEDs/m
Cutting Length	33.33mm/14LED
Operation Temperature	- 25 ~ 60 °C
Size (mm)	5000x30mm
Beam Angle	120°
Color	3000K/4000K/6500K
Thickness FPC	1+2 OZ copper

Dimension (unit: mm/in)



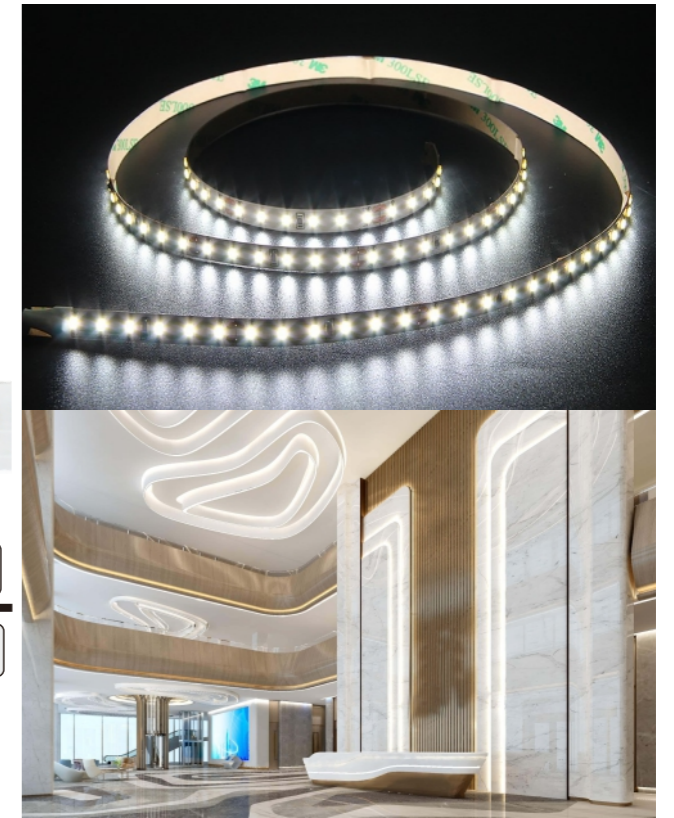
Feature

3014 120LEDs/m
Single color
1+2 Ounce copper



IP20 IP64 IP65 IP67 IP68 IP65 PRO IP67 PRO Dry Damp Wet

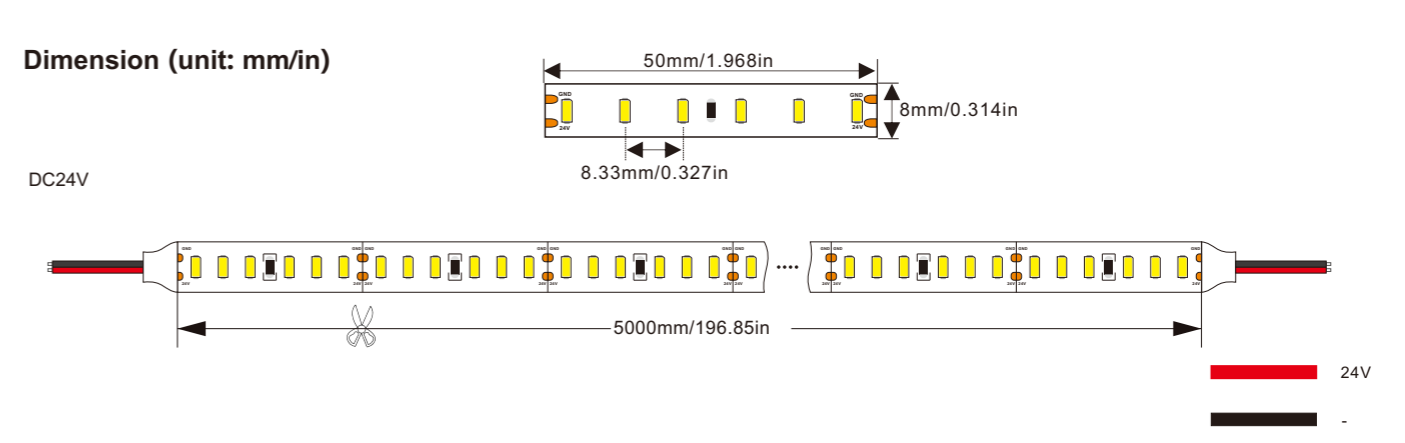
Ra ≥80 Ra ≥90 3 SDCM 5 SDCM 7 SDCM 3 YEAR 5V 12V 24V 120°



Product Datasheet

Product Number	S008120GC1LZ
Operating Voltage	DC24V
Power/M	10W
SMD Type	SMD 3014/120LEDs/m
Cutting Length	50mm/6LED
Operation Temperature	- 25 ~ 60 °C
Size (mm)	5000x8mm
Beam Angle	120°
Color	3000K/4000K/6500K
Thickness FPC	1+2 OZ copper

Dimension (unit: mm/in)



Feature

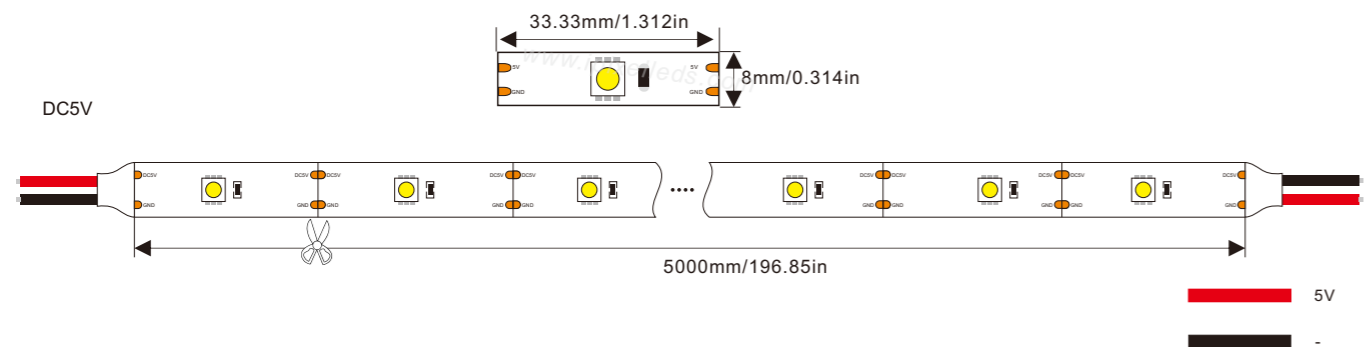
5050 30LEDs/m
 Single color
 DC5V and every LED cuttable
 Width 8mm



Product Datasheet

Product Number	S008030CA1LZ
Operating Voltage	DC5V
Power/M	7.2W
SMD Type	SMD 5050/30LEDs/m
Cutting Length	33.33mm/1LED
Operation Temperature	- 25 ~ 60 °C
Size (mm)	5000x8mm
Beam Angle	120°
Color	3000K/4000K/6500K
Thickness FPC	1+2 OZ copper

Dimension (unit: mm/in)



Feature

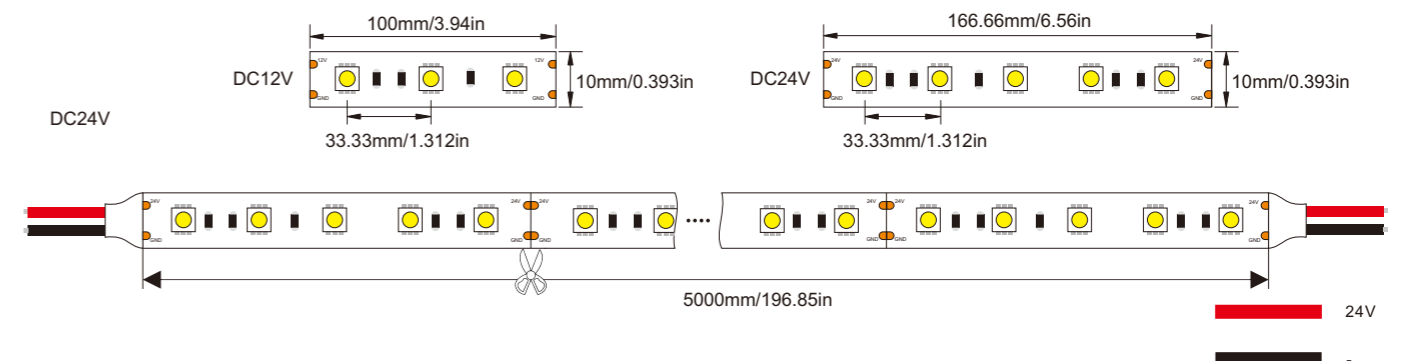
5050 30LEDs/m
 Single color
 Width 10mm



Product Datasheet

Product Number	S010030CB1LZ	S010030CC1LZ
Operating Voltage	DC12V	DC24V
Power/M	7.2W	7.2W
SMD Type	SMD 5050/30LEDs/m	SMD 5050/30LEDs/m
Cutting Length	100mm/3LED	166.7mm/5LED
Operation Temperature	- 25 ~ 60 °C	- 25 ~ 60 °C
Size (mm)	5000x10mm	5000x10mm
Beam Angle	120°	120°
Color	3000K/4000K/6500K	3000K/4000K/6500K
Thickness FPC	1+2 OZ copper	1+2 OZ copper

Dimension (unit: mm/in)



Feature

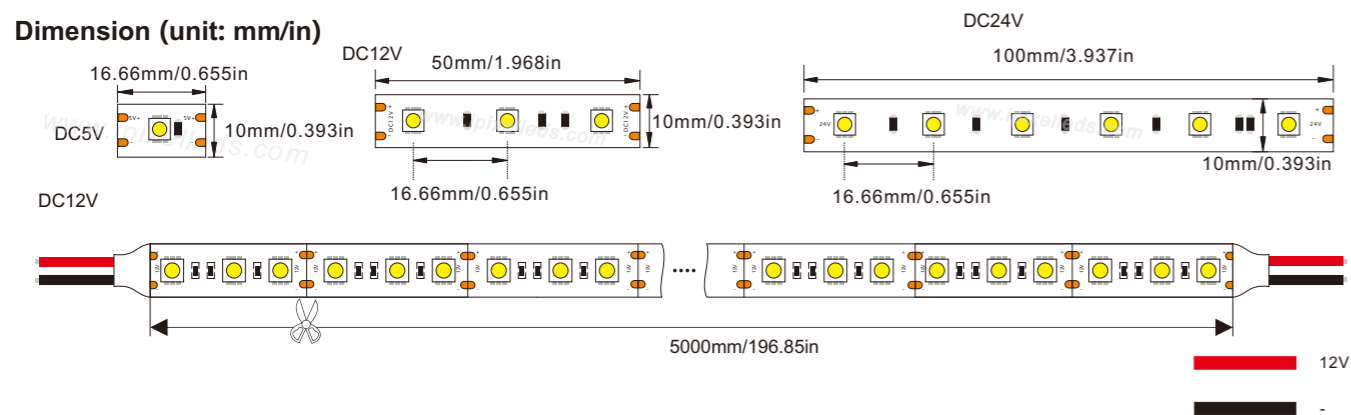
5050 60LEDs/m
Single color
5V/12V/24V available



Product Datasheet

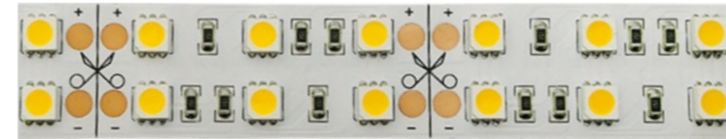
Product Number	S010060CA1LZ	S010060CB1LZ	S010060CC1LZ
Operating Voltage	DC5V	DC12V	DC24V
Power/M	12W	14.4W	14.4W
SMD Type	SMD 5050/60LEDs/m	SMD 5050/60LEDs/m	SMD 5050/60LEDs/m
Cutting Length	16.66mm/1LED	50mm/3LED	100mm/6LED
Operation Temperature	- 25 ~ 60 °C	- 25 ~ 60 °C	- 25 ~ 60 °C
Size (mm)	5000x10mm	5000x10mm	5000x10mm
Beam Angle	120°	120°	120°
Color	3000K/4000K/6500K	3000K/4000K/6500K	3000K/4000K/6500K
Thickness FPC	1+2 OZ copper	1+2 OZ copper	1+2 OZ copper

Dimension (unit: mm/in)



Feature

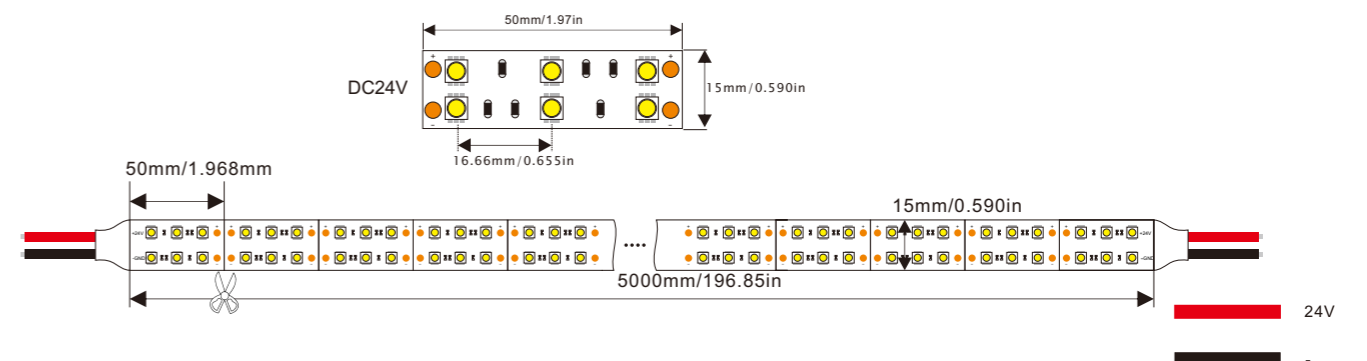
High brightness 5050 120LEDs/m
Single color
Double row LED



Product Datasheet

Product Number	S015120CC1LZ
Operating Voltage	DC24V
Power/M	28W
SMD Type	SMD 5050/120LEDs/m
Cutting Length	50mm/6LED
Operation Temperature	- 25 ~ 60 °C
Size (mm)	5000x15mm
Beam Angle	120°
Color	3000K/4000K/6500K
Thickness FPC	1+2 OZ copper

Dimension (unit: mm/in)





Feature

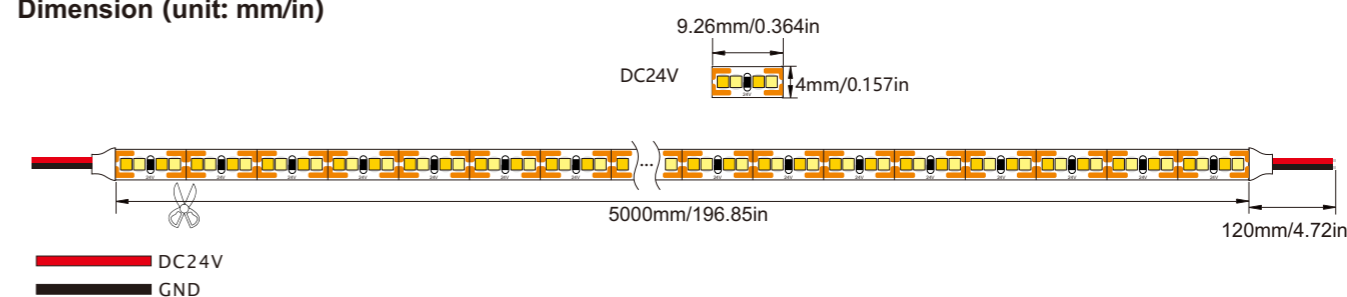
SMD1515 432LEDs/m
2 wires
CCT Tunable



Product Datasheet

Product Number	S004432UC2PZ(2W)
Operating Voltage	DC24V
Power/M	9W
SMD Type	SMD 1515/432LEDs/m
Cutting Length	9.26mm/4LED
Operation Temperature	- 25 ~ 60 °C
Size (mm)	5000x4mm
Beam Angle	120°
CCT	WW:3000K+W:6500K
Lumens/m	CW:720 WW:765lm
FPC Color	White

Dimension (unit: mm/in)



Feature

High density 2835 240LEDs/m
 High brightness 19W/m
 CCT tunable
 2 wires



IP20 IP64 IP65 IP67 IP68 IP65 PRO IP67 PRO Dry Damp Wet

Ra ≥80 Ra ≥90 3 SDCM 5 SDCM 7 SDCM 3 YEAR 5V 12V 24V 120°

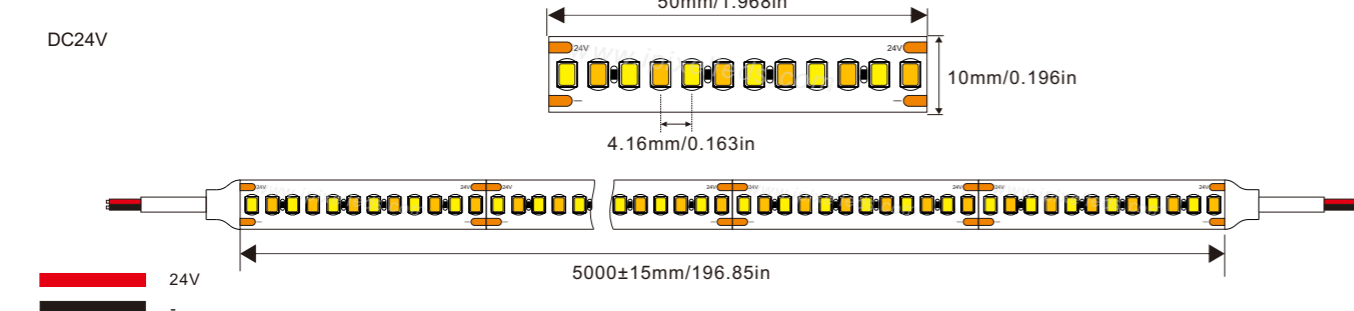
UL LISTED E800005 CE CB Scheme EMC REACH NPS



Product Datasheet

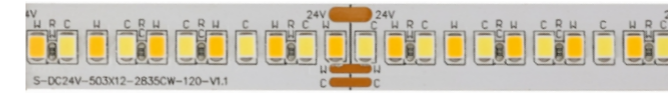
Product Number	S010240BC2PZ
Operating Voltage	DC24V
Power/M	10W
SMD Type	SMD 2835/240LEDs/m
Cutting Length	50mm/12LED
Operation Temperature	- 25 ~ 60 °C
Size (mm)	5000x10mm
Beam Angle	120°
CCT	3000K+6500K
Lumens/m	CW:1155 WW:1096lm
Thickness FPC	1+2 OZ copper

Dimension (unit: mm/in)



Feature

High density 2835 240LEDs/m
 High brightness 19W/m
 CCT tunable
 Width 12mm



IP20 IP64 IP65 IP67 IP68 IP65 PRO IP67 PRO Dry Damp Wet

Ra ≥80 Ra ≥90 3 SDCM 5 SDCM 7 SDCM 3 YEAR 5V 12V 24V 120°

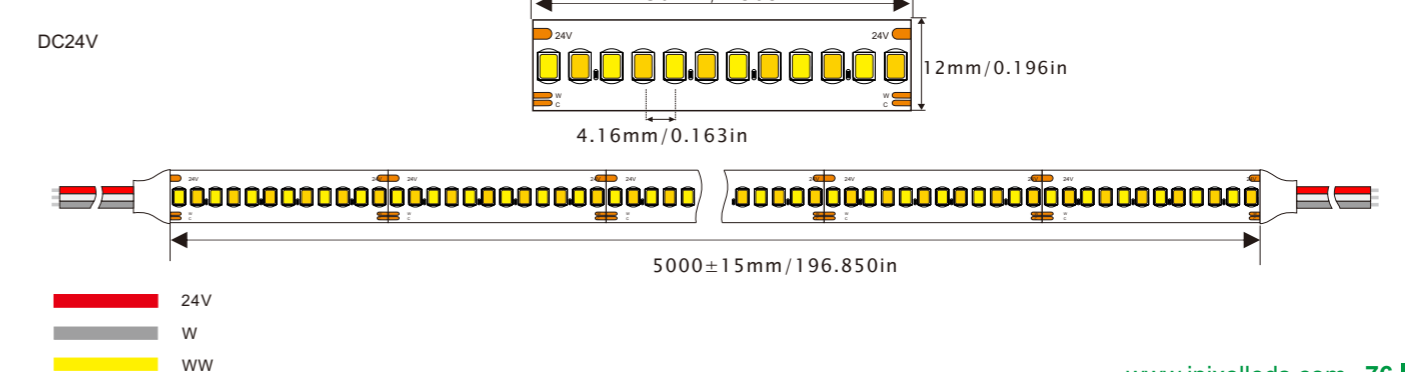
UL LISTED E800005 CE CB Scheme EMC REACH NPS



Product Datasheet

Product Number	S012240BC2PZ
Operating Voltage	DC24V
Power/M	19.2W
SMD Type	SMD 2835/240LEDs/m
Cutting Length	50mm/12LED
Operation Temperature	- 25 ~ 60 °C
Size (mm)	5000x12mm
Beam Angle	120°
CCT	3000K+6500K
Lumens/m	CW:900 WW:901lm
Thickness FPC	1+2 OZ copper

Dimension (unit: mm/in)



Dual Color LED Strip

Feature

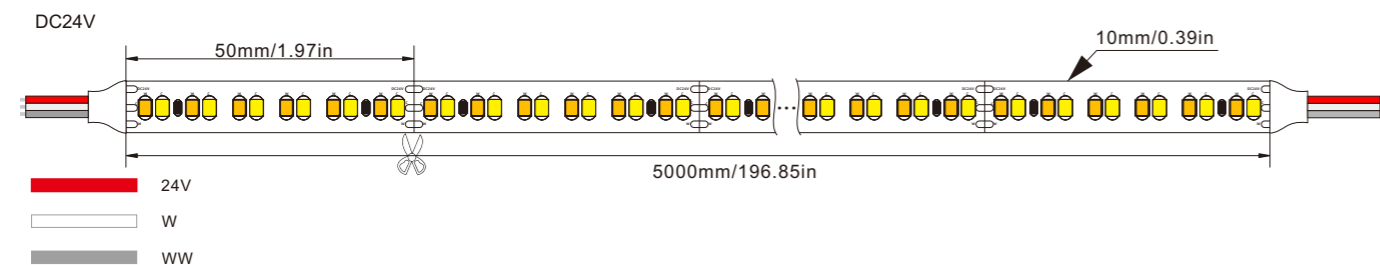
High density 2216 240LEDs/m
 High brightness 20W/m
 CCT tunable



Product Datasheet

Product Number	S010240XC2PZ
Operating Voltage	DC24V
Power/M	20W
SMD Type	SMD 2216/240LEDs/m
Cutting Length	50mm/12LED
Operation Temperature	- 25 ~ 60 °C
Size (mm)	5000x10mm
Beam Angle	120°
CCT	2700K+6500K
Lumens/m	CW: 832 WW:782lm
Thickness FPC	1+2 OZ copper

Dimension (unit: mm/in)



Feature

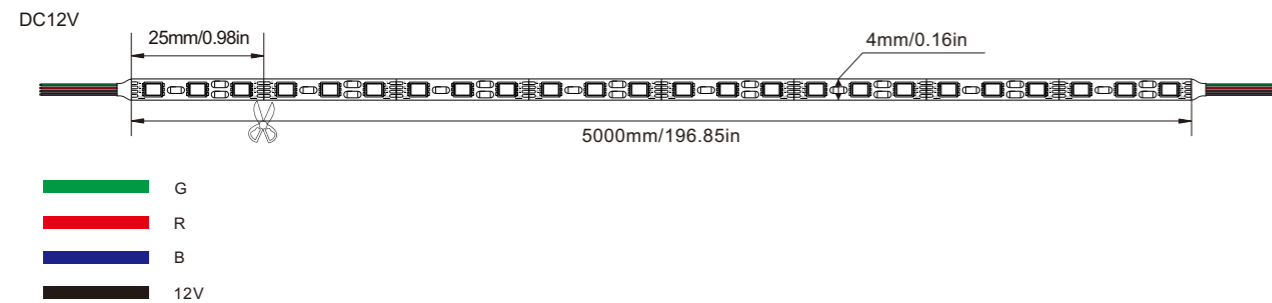
Ultra-narrow 4mm
2835 120LEDs/m
RGB



Product Datasheet

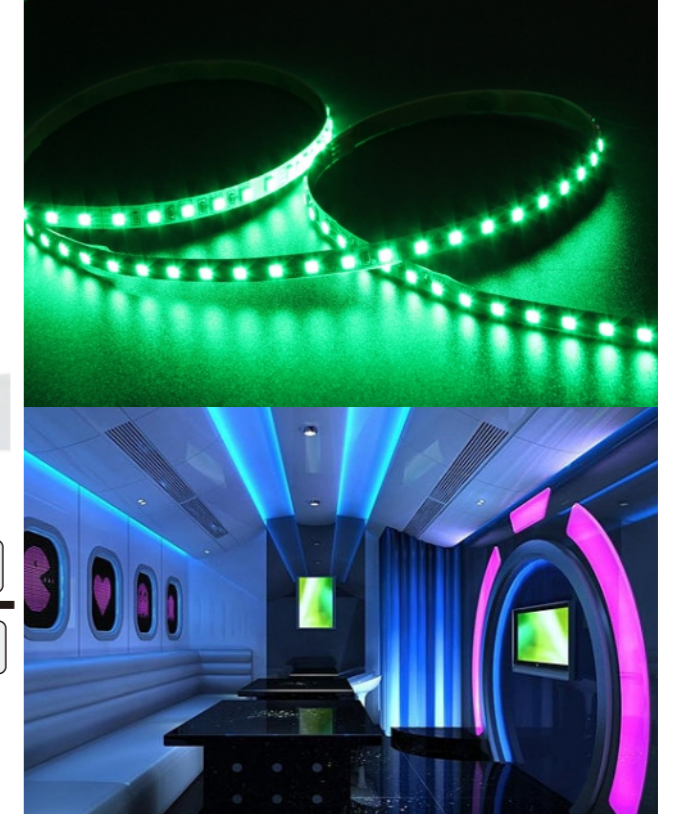
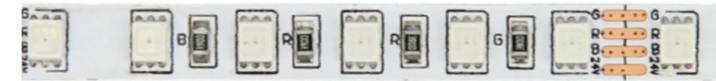
Product Number	S004120BB3PZ
Operating Voltage	DC12V
Power/M	7.2W
SMD Type	SMD 2835/120LEDs/m
Cutting Length	25mm/3LED
Control	PWM
Material	FPC
Color	RGB
Size (mm)	5000x4mm
Luminance/M	R: 66 G: 238 B: 60lm
Wavelength	R:620-625 G:520-525 B:460-465nm

Dimension (unit: mm/in)



Feature

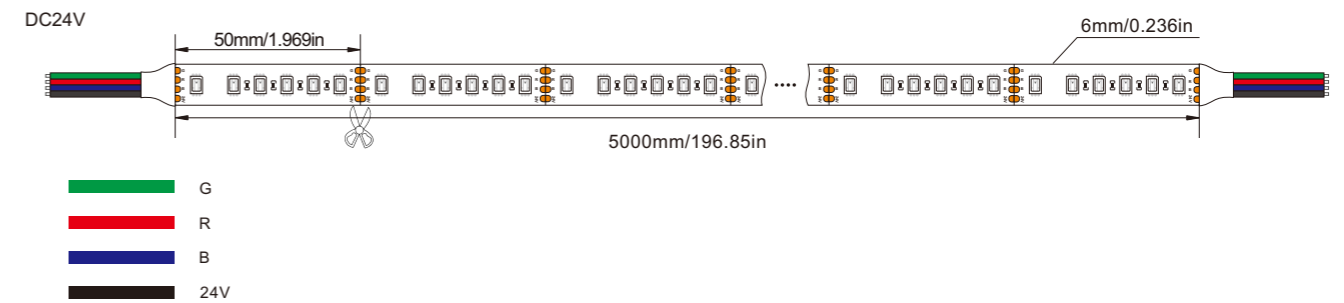
Ultra-narrow 6mm
2835 120LEDs/m
RGB



Product Datasheet

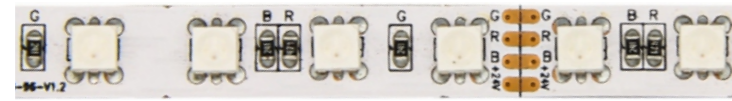
Product Number	S006120BC3PZ
Operating Voltage	DC24V
Power/M	14W
SMD Type	SMD 2835/120LEDs/m
Cutting Length	50mm/6LED
Control	PWM
Material	FPC
Color	RGB
Size (mm)	5000x6mm
Luminance/M	R:100 G:240 B:36lm
Wavelength	R:620-625 G:520-525 B:460-465nm

Dimension (unit: mm/in)



Feature

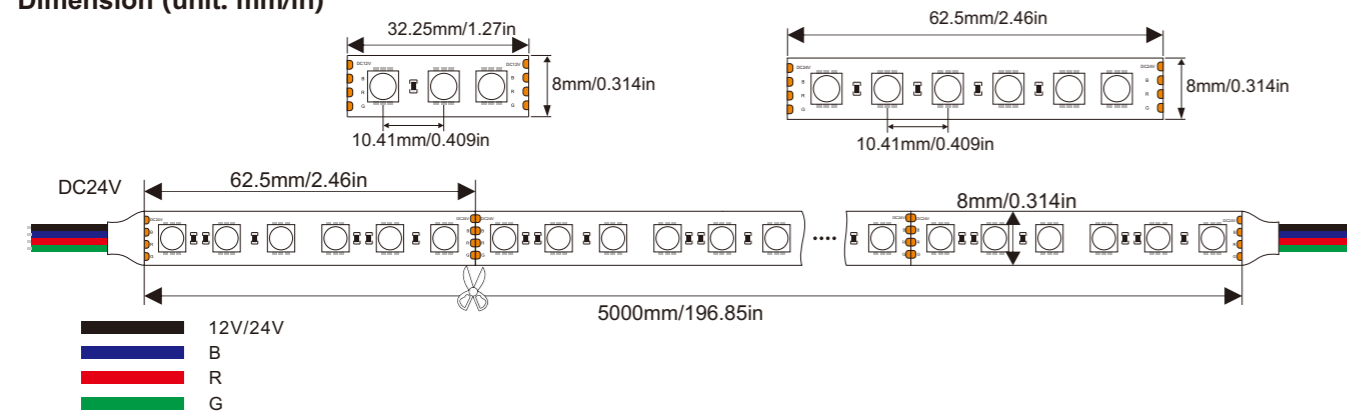
4040 96LEDs/m
Ultra-narrow 8mm
RGB



Product Datasheet

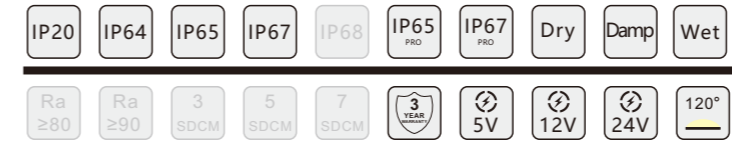
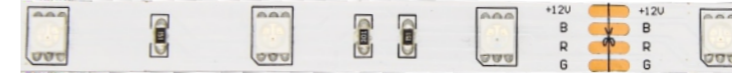
Product Number	S008096TB3PZ	S008096TC3PZ
Operating Voltage	DC12V	DC24V
Power/M	15W	15W
SMD Type	SMD 4040/96LEDs/m	SMD 4040/96LEDs/m
Cutting Length	31.25mm/3LED	62.5mm/6LED
Control	PWM	PWM
Material	FPC	FPC
Color	RGB	RGB
Size (mm)	5000x8mm	5000x8mm
Wavelength	R:620-625 G:520-525 B:460-465nm	

Dimension (unit: mm/in)



Feature

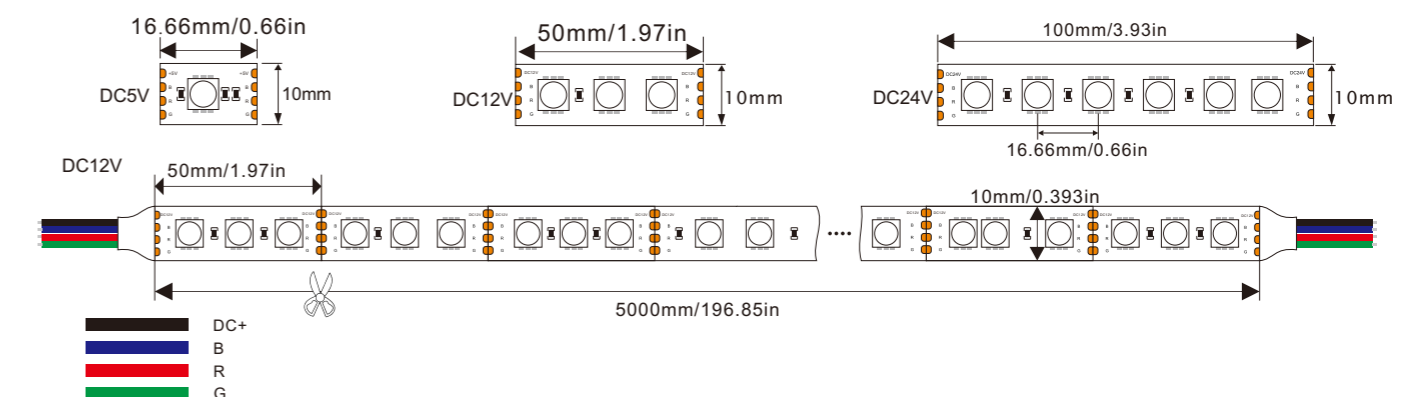
5050 60LEDs/m
RGB
5V/12V/24V available



Product Datasheet

Product Number	S010060CA3PZ	S010060CB3PZ	S010060CC3PZ
Operating Voltage	DC5V	DC12V	DC24V
Power/M	14.4W	14.4W	14.4W
SMD Type	SMD 5050/60LEDs/m	SMD 5050/60LEDs/m	SMD 5050/60LEDs/m
Cutting Length	16.66mm/1LED	50mm/3LED	100mm/6LED
Control	PWM	PWM	PWM
Material	FPC	FPC	FPC
Color	RGB	RGB	RGB
Size (mm)	5000x10mm	5000x10mm	5000x10mm

Dimension (unit: mm/in)



Feature

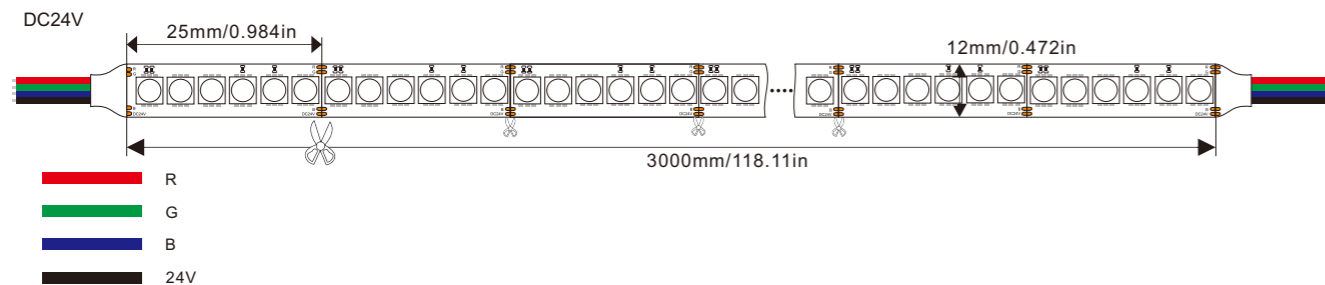
High density 3535 240LEDs/m
 High brightness 28W/m
 RGB
 Single row LED



Product Datasheet

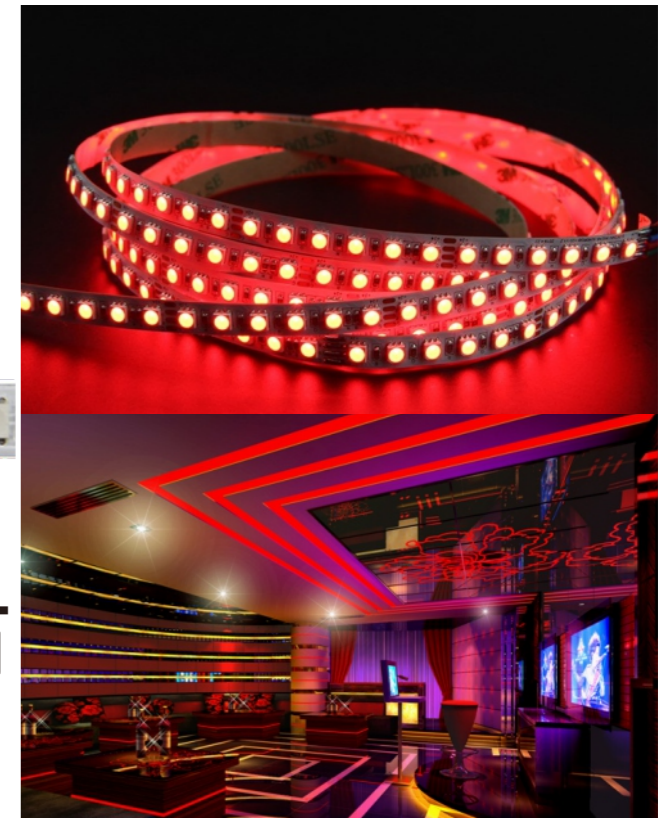
Product Number	S012240DC3PZ
Operating Voltage	DC24V
Power/M	28W
SMD Type	SMD 3535/240LEDs/m
Cutting Length	25mm/6LED
Control	PWM
Material	FPC
Color	RGB
Size (mm)	3000x12mm
Wavelength	R:620-625 G:520-525 B:460-465nm

Dimension (unit: mm/in)



Feature

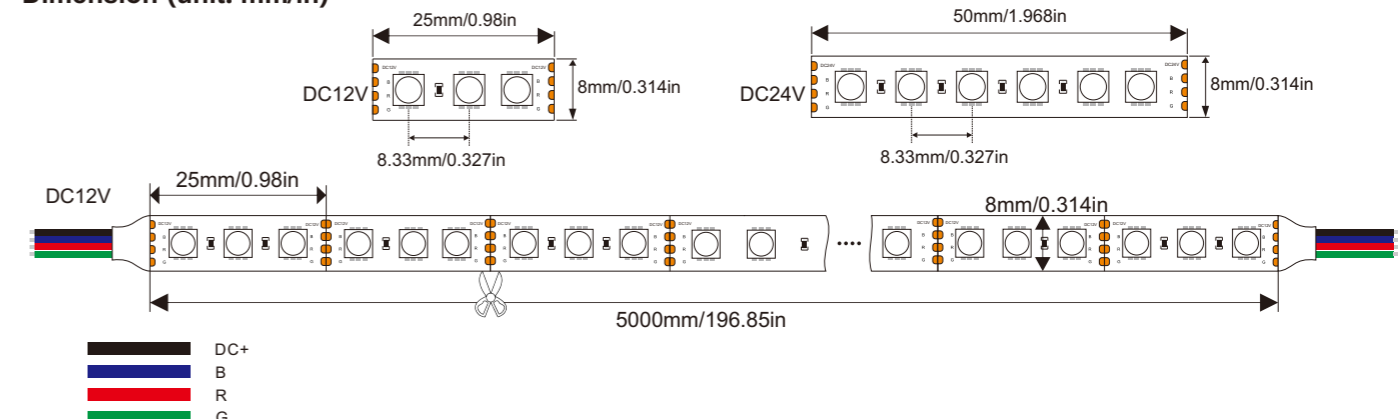
High density 4040 120LEDs/m
 Ultra-narrow 8mm
 RGB



Product Datasheet

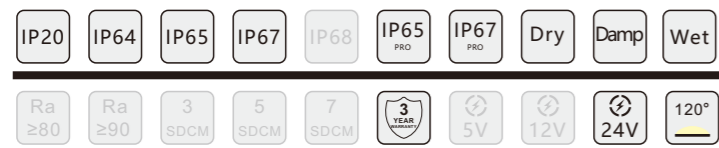
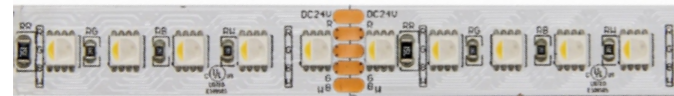
Product Number	S008120TB3PZ	S008120TC3PZ
Operating Voltage	DC12V	DC24V
Power/M	27W	27W
SMD Type	SMD 4040/120LEDs/m	SMD 4040/120LEDs/m
Cutting Length	25mm/3LED	50mm/6LED
Control	PWM	PWM
Material	FPC	FPC
Color	RGB	RGB
Size (mm)	5000x8mm	5000x8mm

Dimension (unit: mm/in)



Feature

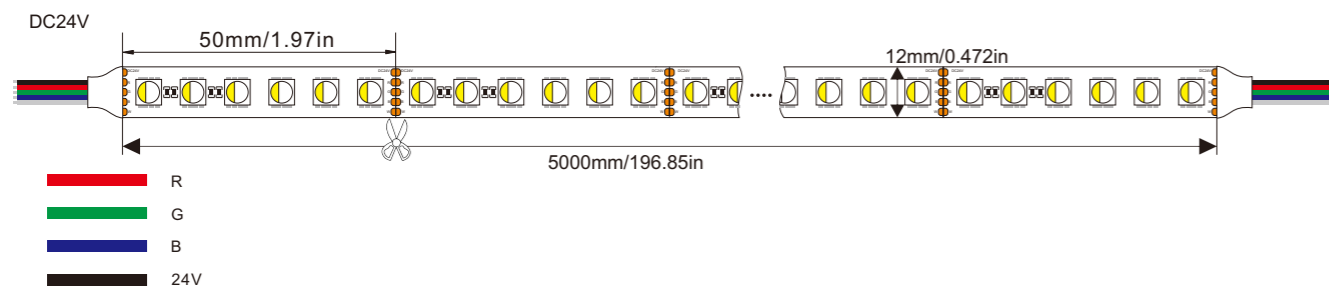
4040 120LEDs/m
4 in 1 LED
RGBW



Product Datasheet

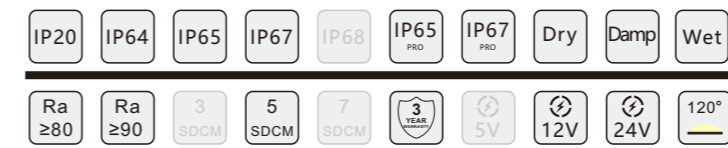
Product Number	S012120TC4PZ
Operating Voltage	DC24V
Power/M	24W
SMD Type	SMD 4040/120LEDs/m
Cutting Length	50mm/6LED
Control	PWM
Material	FPC
Color	RGB+3000K/4000K/6500K
Size (mm)	3000x12mm
Wavelength	R:620-625 G:520-525 B:460-465nm

Dimension (unit: mm/in)



Feature

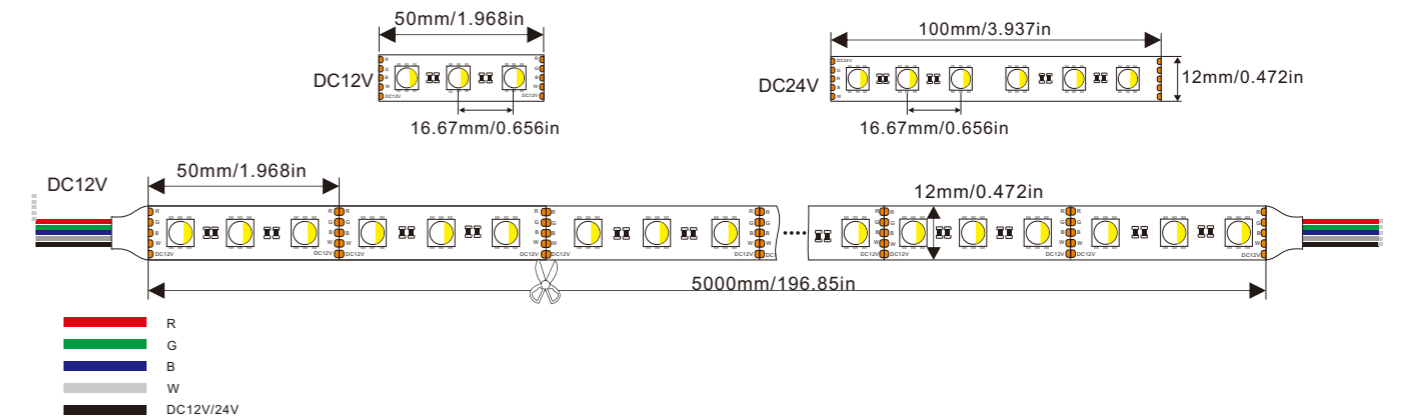
5050 60LEDs/m
4 in 1 LED
RGBW



Product Datasheet

Product Number	S012060CB4PZ	S012060CC4PZ
Operating Voltage	DC12V	DC24V
Power/M	19.2W	19.2W
SMD Type	SMD 5050/60LEDs/m	SMD 5050/60LEDs/m
Cutting Length	50mm/3LED	100mm/6LED
Control	PWM	PWM
Material	FPC	FPC
Color	RGB+3000K/4000K/6500K	RGB+3000K/4000K/6500K
Size (mm)	5000x12mm	5000x12mm

Dimension (unit: mm/in)



Feature

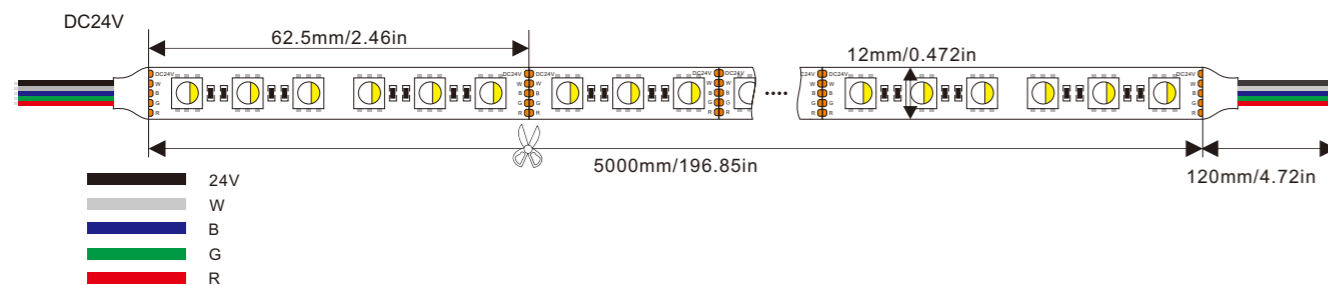
5050 96LEDs/m
4 in 1 LED
RGBW



Product Datasheet

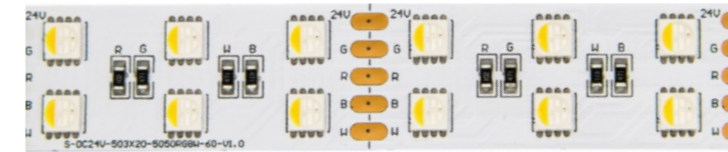
Product Number	S012096CC4PZ
Operating Voltage	DC24V
Power/M	28W
SMD Type	SMD 5050/96LEDs/m
Cutting Length	62.5mm/6LED
Control	PWM
Material	FPC
Color	RGB+3000K/4000K/6500K
Size (mm)	5000x12mm
Wavelength	R:620-625 G:520-525 B:460-465nm

Dimension (unit: mm/in)



Feature

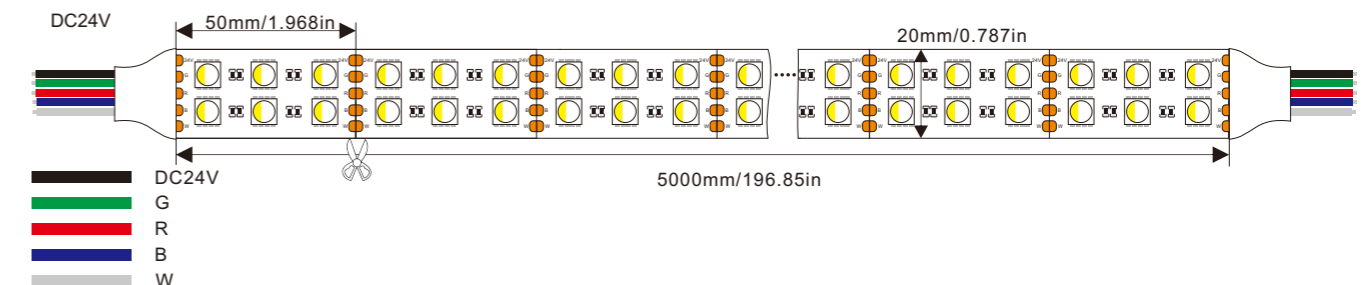
5050 4 in 1 120LEDs/m
Double row LED
RGBW



Product Datasheet

Product Number	S020120CC4PZ
Operating Voltage	DC24V
Power/M	24W
SMD Type	SMD 5050/120LEDs/m
Cutting Length	50mm/6LED
Control	PWM
Material	FPC
Color	RGB+3000K/4000K/6500K
Size (mm)	5000x20mm
Wavelength	R:620-625 G:520-525 B:460-465nm

Dimension (unit: mm/in)



Feature

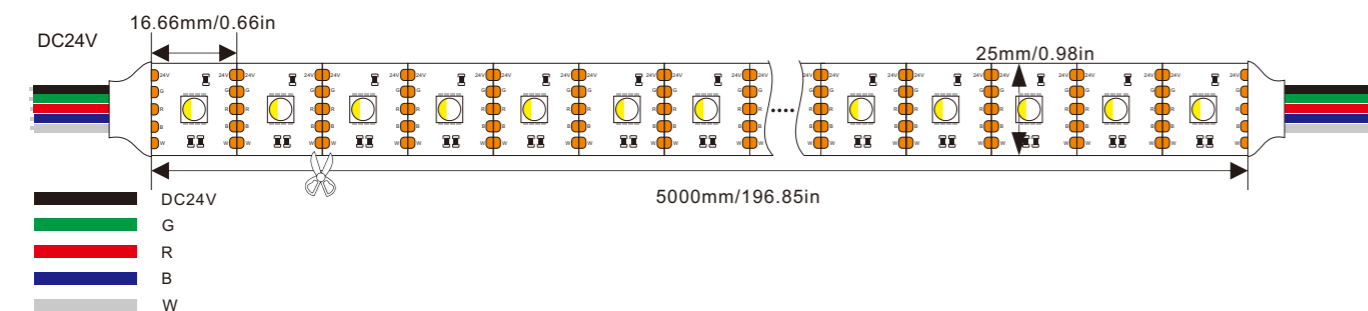
5050 4 in 1 60LEDs/m
 Cuttable every LED
 DC24V
 RGBW



Product Datasheet

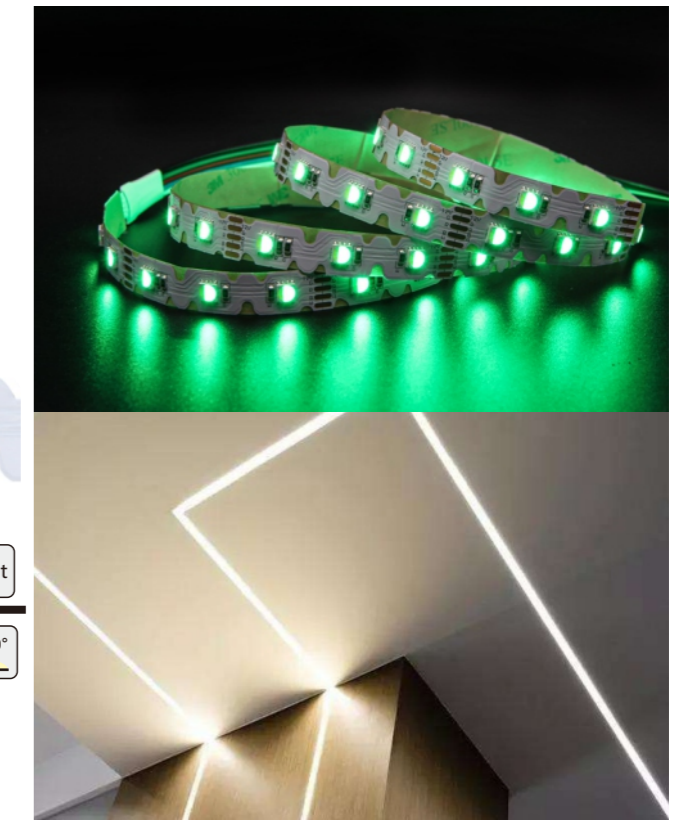
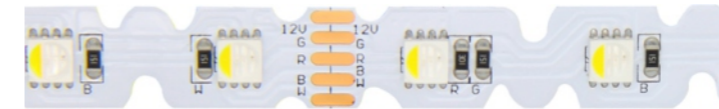
Product Number	S025060CC4PZ
Operating Voltage	DC24V
Power/M	57W
SMD Type	SMD 5050/60LEDs/m
Cutting Length	16.66mm/1LED
Control	PWM
Material	FPC
Color	RGB+3000K/4000K/6500K
Size (mm)	5000x25mm
Wavelength	R:620-625 G:520-525 B:460-465nm

Dimension (unit: mm/in)



Feature

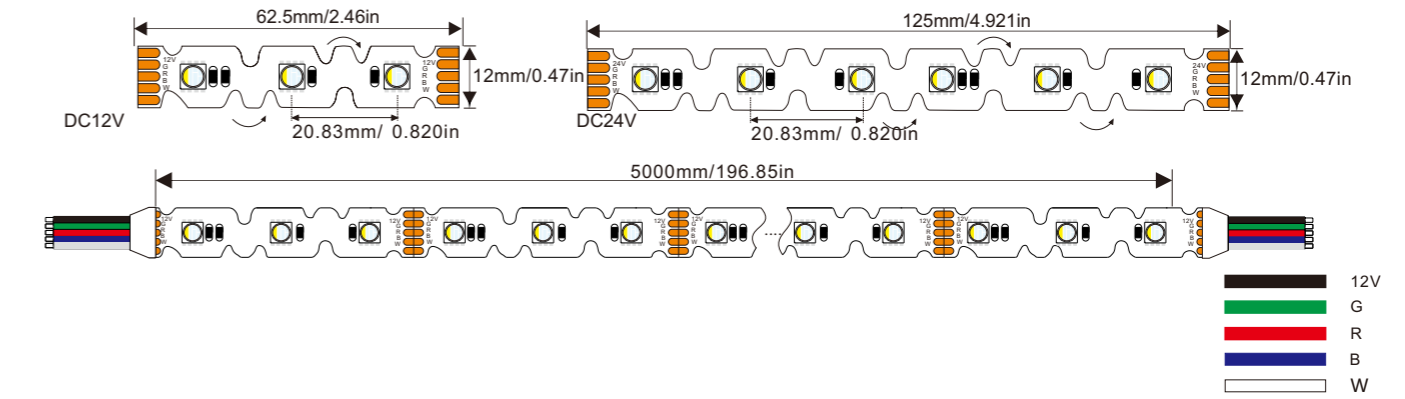
S shape and bendable
 RGBW
 1+2 Ounce copper



Product Datasheet

Product Number	S012048CB4PZ(S)	S012048CC4PZ(S)
Operating Voltage	DC12V	DC24V
Power/M	15W	15W
SMD Type	SMD 5050/48LEDs/m	SMD 5050/48LEDs/m
Cutting Length	62.5mm/3LED	125mm/6LED
Color	RGBW:3000K/4000K/6500K	RGBW:3000K/4000K/6500K
Material	FPC	FPC
Operation Temperature	- 25 ~ 60 °C	- 25 ~ 60 °C
Size (mm)	5000x12mm	5000x12mm
Wavelength	R:620-625 G:520-525 B:460-465nm	

Dimension (unit: mm/in)



Feature

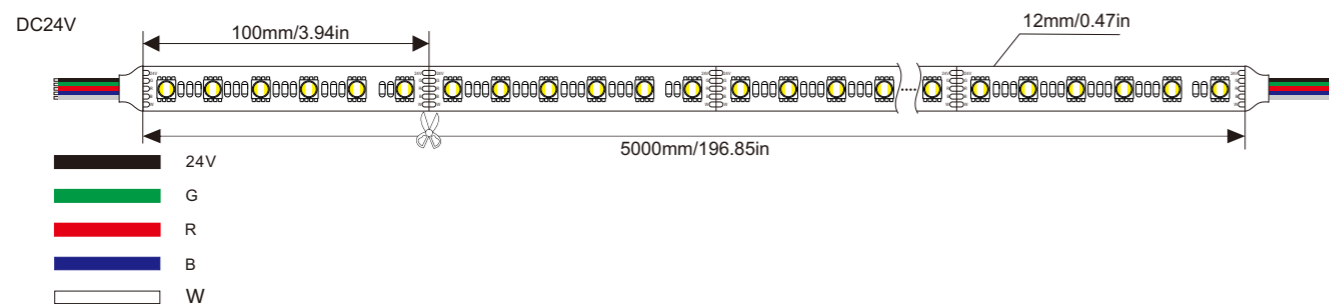
5050 60LEDs/m
 RGB + 2 same white
 26W/m



Product Datasheet

Product Number	S012060CC4PZ(2W)
Operating Voltage	DC24V
Power/M	26W
SMD Type	SMD 5050/60LEDs/m
Cutting Length	100mm/6LED
Control	PWM
Material	FPC
Color	W+RGB+W:3000K/4000K/6500K
Size (mm)	5000x12mm
Wavelength	R:620-625 G:520-525 B:460-465nm

Dimension (unit: mm/in)



Feature

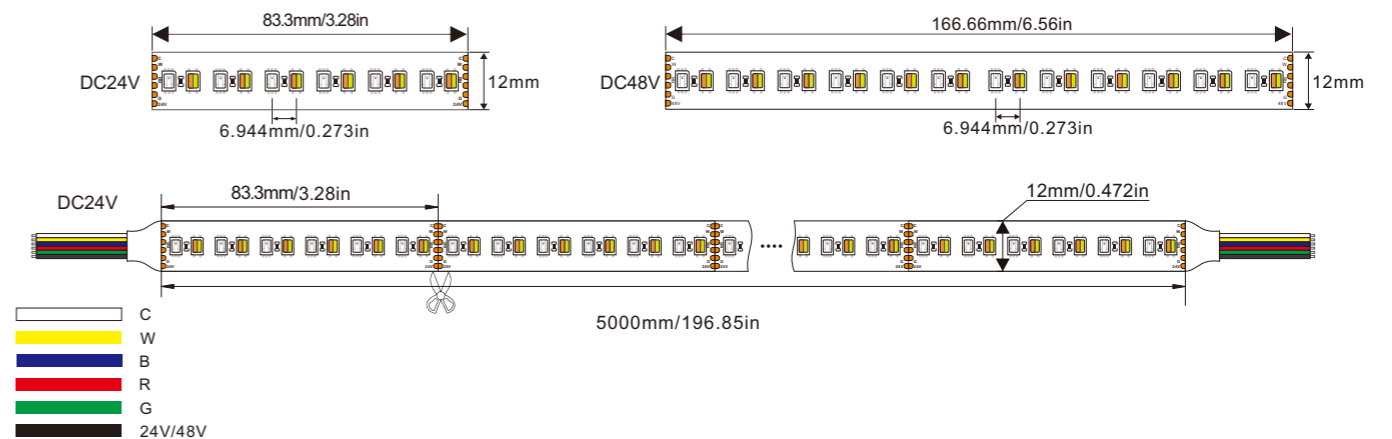
2835+3528, 144LEDs/m
 RGB+CCT
 24V/48V available



Product Datasheet

Product Number	S012144AC5PZ	S012144BJ5PZ
Operating Voltage	DC24V	DC48V
Power/M	26W	26W
SMD Type	SMD 2835RGB+3528WW/144LEDs/m	SMD 2835RGB+3528WW/144LEDs/m
Cutting Length	83.33mm/12LED	166.66mm/24LED
Control	PWM	PWM
Material	FPC	FPC
Color	RGB+W:6500K+W:3000K	RGB+W:6500K+W:3000K
Size (mm)	5000x12mm	5000x12mm

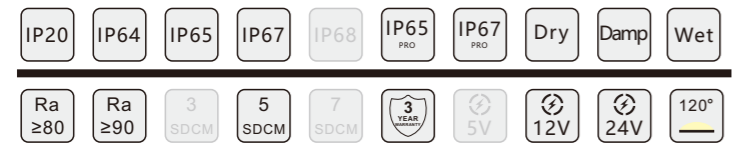
Dimension (unit: mm/in)



RGB/RGBW LED Strip

Feature

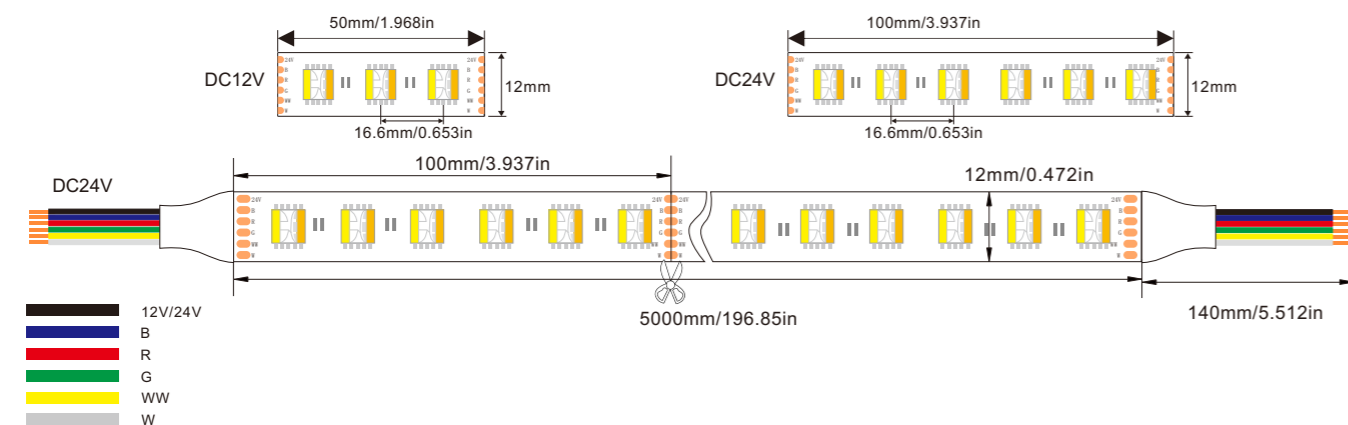
5050 60LEDs/m
5 in 1 LED
RGB+CCT



Product Datasheet

Product Number	S012060CB5PZ	S012060CC5PZ
Operating Voltage	DC12V	DC24V
Power/M	24W	24W
SMD Type	SMD 5050/60LEDs/m	SMD 5050/60LEDs/m
Cutting Length	50mm/3LED	100mm/6LED
Control	PWM	PWM
Material	FPC	FPC
Color	6500K+RGB+3000K	6500K+RGB+3000K
Size (mm)	5000x12mm	5000x12mm

Dimension (unit: mm/in)



Feature

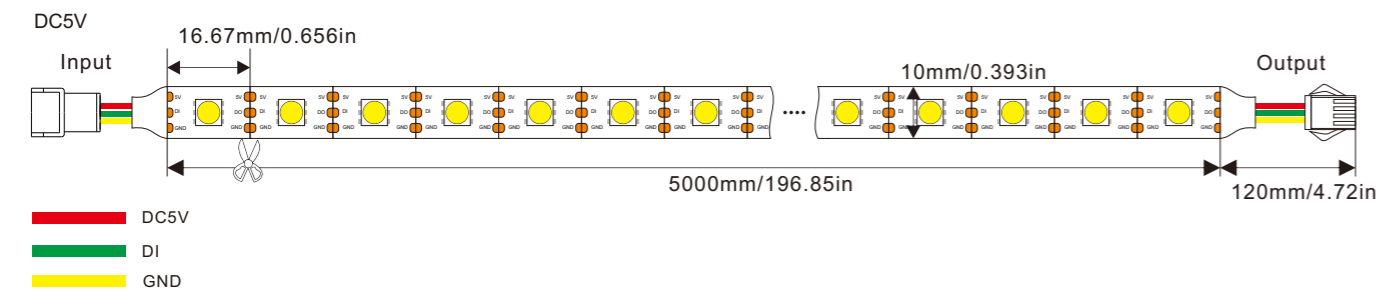
Addressable WWA / White series
 5050 60LEDs/m
 White color
 5V/12V available



Product Datasheet

Product Number	S012060CB1SA1
Operating Voltage	DC12V
Power/M	27W
SMD Type	SMD 5050/60LEDs/m
Cutting Length	16.67mm/1LED
Control	SPI/SK6812/60pcs
PCB Color	White/Black
Color	3000K/4000K/6500K
Size (mm)	5000x12mm
Pixel/M	60

Dimension (unit: mm/in)



Feature

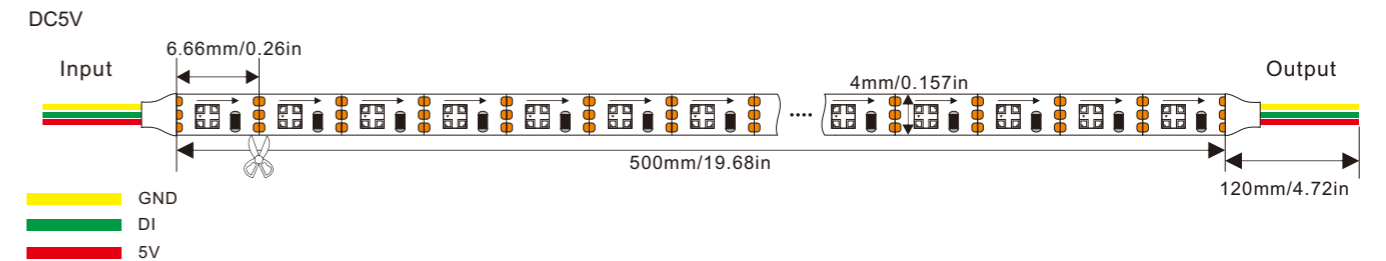
Ultra-narrow 4mm
 Addressable SPI
 1515 150LEDs/m
 RGB



Product Datasheet

Product Number	S004150UA3SDO
Operating Voltage	DC5V
Power/M	6W/0.5M
SMD Type	SMD 1515/150LEDs/m
Cutting Length	6.66mm/1LED
Control	SPI-SK6812
PCB Color	Black
Color	RGB
Size (mm)	500x4mm
Pixel/m	75/0.5m

Dimension (unit: mm/in)



Feature

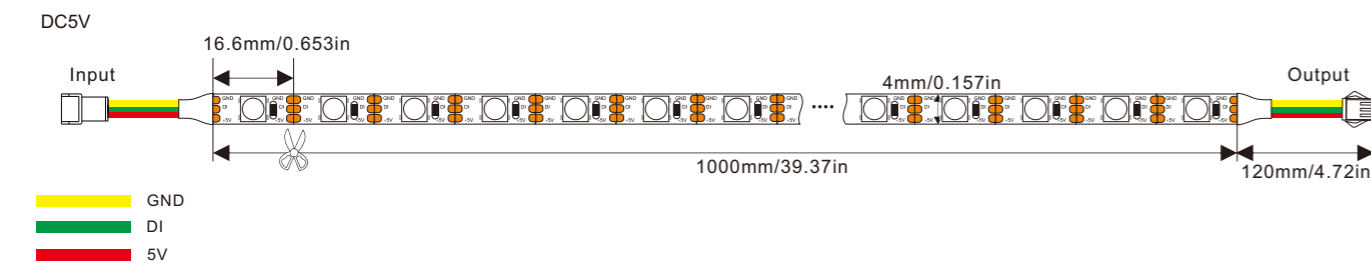
Ultra-narrow 4mm
Addressable RGB
3535 60LEDs/m



Product Datasheet

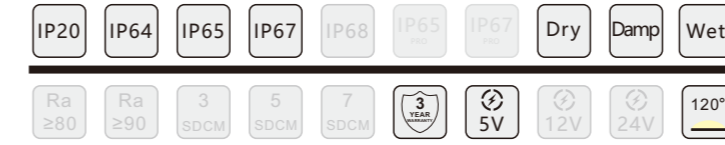
Product Number	S004060DA3SA1
Operating Voltage	DC5V
Power/M	12W
SMD Type	SMD 3535/60LEDs/m
Cutting Length	16.6mm/1LED
Control	SPI-SK6812/60pcs
PCB Color	White/Black
Color	RGB
Size (mm)	1000x4mm
Wavelength	R:620-625 G:520-525 B:460-465nm

Dimension (unit: mm/in)



Feature

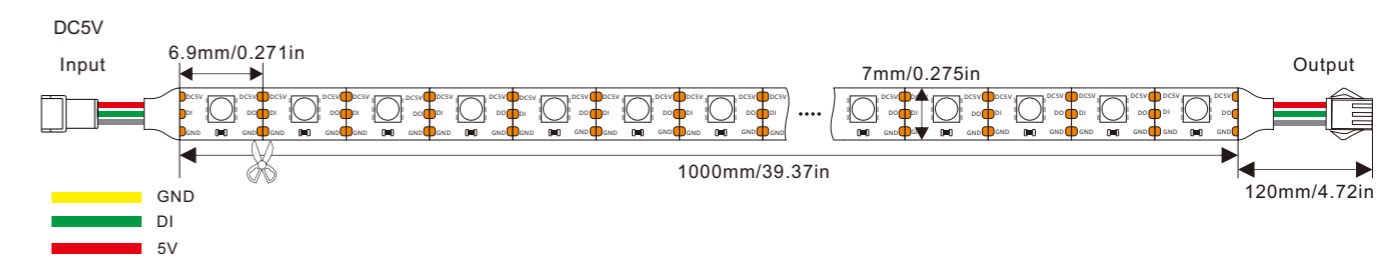
Width 7mm
Addressable RGB
3535 144LEDs/m



Product Datasheet

Product Number	S007144DA3SA1
Operating Voltage	DC5V
Power/M	24W
SMD Type	SMD 3535/144LEDs/m
Cutting Length	6.9mm/1LED
Control	SPI-SK6812/144pcs
PCB Color	White
Color	RGB
Size (mm)	1000x7mm
Wavelength	R:620-625 G:520-525 B:460-465nm

Dimension (unit: mm/in)



Feature

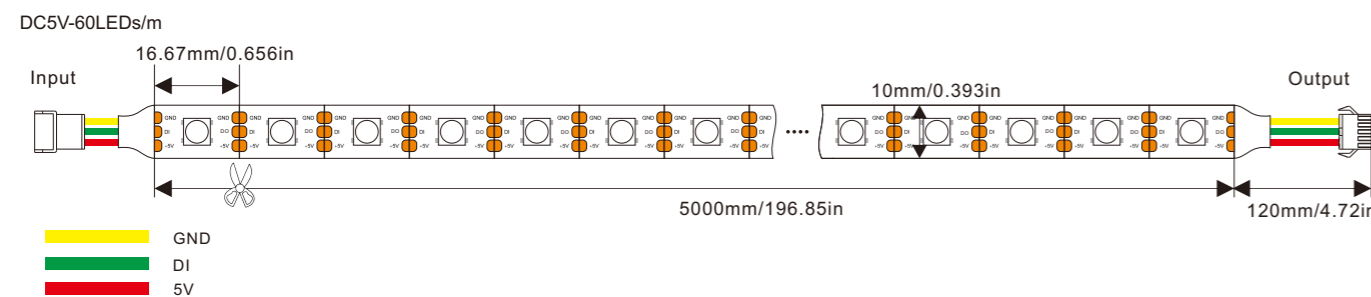
Addressable SK6812 5V series
 30/60/144LEDs/m available
 5050RGB



Product Datasheet

Product Number	S010030CA3SA1	S010060CA3SA1	S012144CA3SA1
Operating Voltage	DC5V	DC5V	DC5V
Power/M	6W	12W	24W
SMD Type	SMD 5050/30LEDs/m	SMD 5050/60LEDs/m	SMD 5050/144LEDs/m
Cutting Length	33.3mm/1LED	16.67mm/1LED	6.9mm/1LED
Control	SPI/SK6812/30pcs	SPI/SK6812/60pcs	SPI/SK6812/144pcs
PCB Color	Black/White	Black/White	Black/White
Color	RGB	RGB	RGB
Size (mm)	5000x10mm	5000x10mm	1000x12mm
Pixel/m	30	60	144

Dimension (unit: mm/in)



Feature

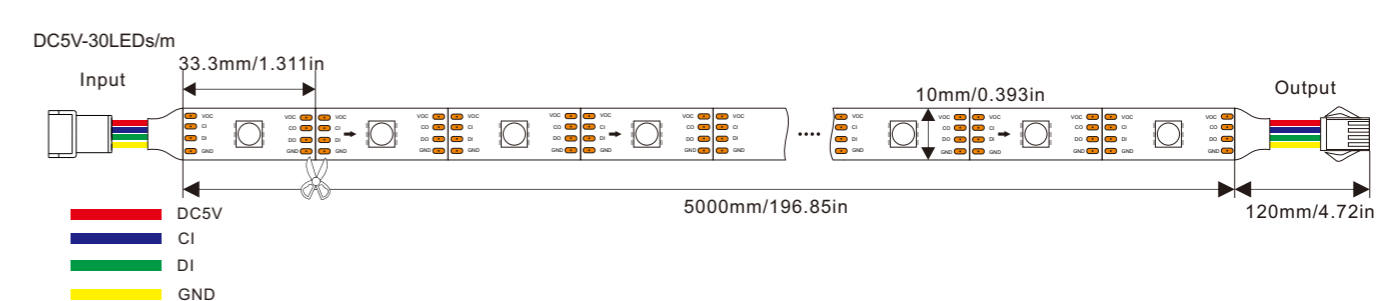
Addressable SK9822 series
 RGB
 30/60/144LEDs/m available



Product Datasheet

Product Number	S012060CA3SA2	S012144CA3SA2
Operating Voltage	DC5V	DC5V
Power/M	15.5W	34W
SMD Type	SMD 5050/60LEDs/m	SMD 5050/144LEDs/m
Cutting Length	16.67mm/1LED	6.9mm/1LED
Control	SPI/SK9822/60pcs	SPI/SK9822/144pcs
PCB Color	Black/White	Black/White
Color	RGB	RGB
Size (mm)	5000x12mm	1000x12mm
Pixel/m	60	144

Dimension (unit: mm/in)



Feature

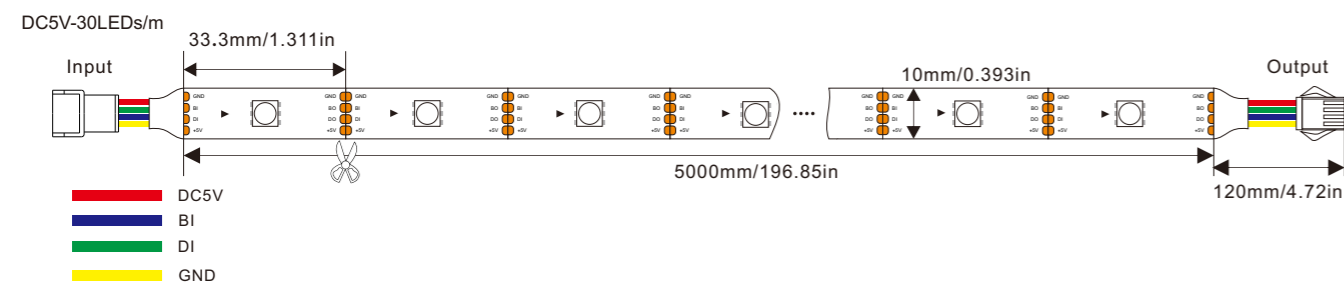
Addressable WS2813 series
Dual signal
RGB
30/60/144LEDs/m available



Product Datasheet

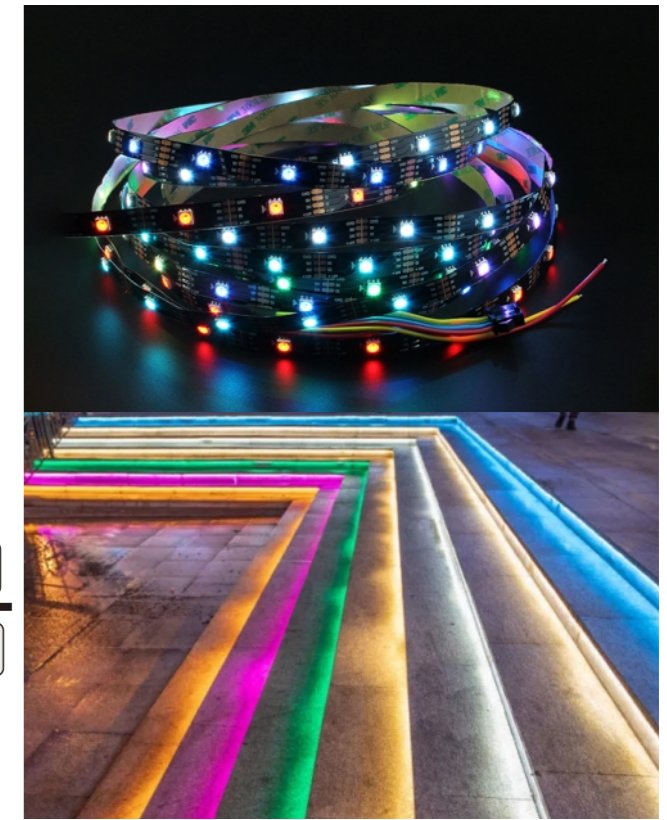
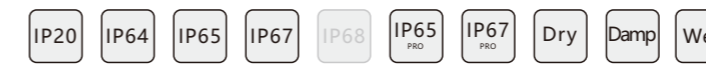
Product Number	S010030CA3SA6	S010060CA3SA6	S012144CA3SA6
Operating Voltage	DC5V	DC5V	DC5V
Power/M	6W	12W	24W
SMD Type	SMD 5050/30LEDs/m	SMD 5050/60LEDs/m	SMD 5050/144LEDs/m
Cutting Length	33.3mm/1LED	16.67mm/1LED	6.9mm/1LED
Control	SPI/WS2813/30pcs	SPI/WS2813/60pcs	SPI/WS2813/144pcs
PCB Color	Black/White	Black/White	Black/White
Color	RGB	RGB	RGB
Size (mm)	5000x10mm	5000x10mm	1000x12mm
Pixel/m	30	60	144

Dimension (unit: mm/in)



Feature

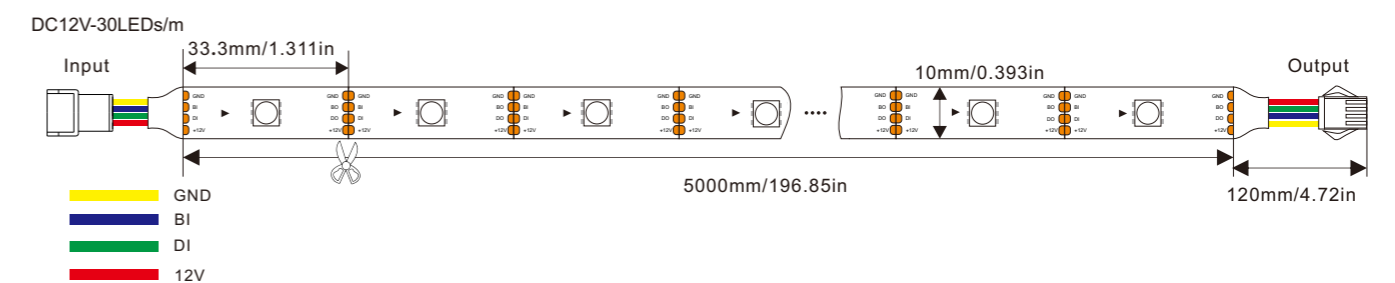
Addressable HC2815 series
Dual signal
DC12V
RGB
30/60/144LEDs/m available



Product Datasheet

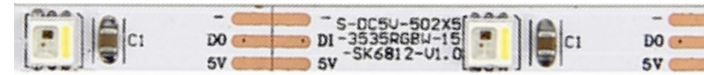
Product Number	S010030CB3SB7	S010060CB3SB7	S012144CB3SB7
Operating Voltage	DC12V	DC12V	DC12V
Power/M	4.5W	9W	20W
SMD Type	SMD 5050/30LEDs/m	SMD 5050/60LEDs/m	SMD 5050/144LEDs/m
Cutting Length	33.3mm/1LED	16.67mm/1LED	6.9mm/1LED
Control	SPI - HC2815 30pcs	SPI - HC2815 60pcs	SPI - HC2815 144pcs
PCB Color	Black/White	Black/White	Black/White
Color	RGB	RGB	RGB
Size (mm)	5000x10mm	5000x10mm	1000x12mm
Pixel/m	30	60	144

Dimension (unit: mm/in)



Feature

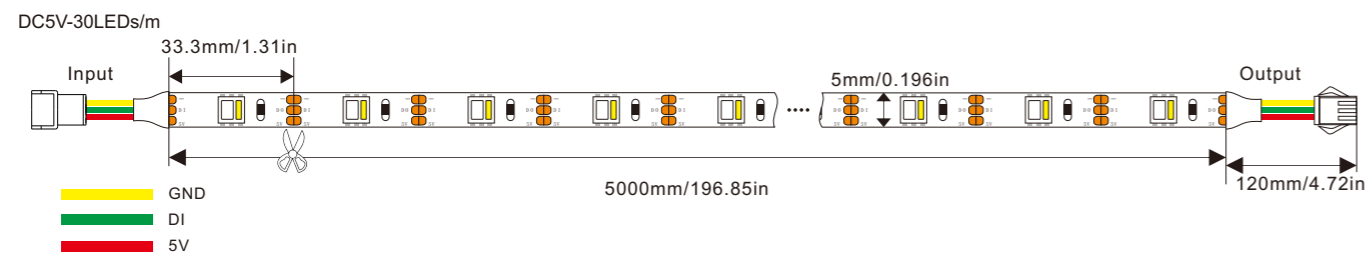
Addressable SK6812 series
3535 RGBW
30/60/144LEDs/m available



Product Datasheet

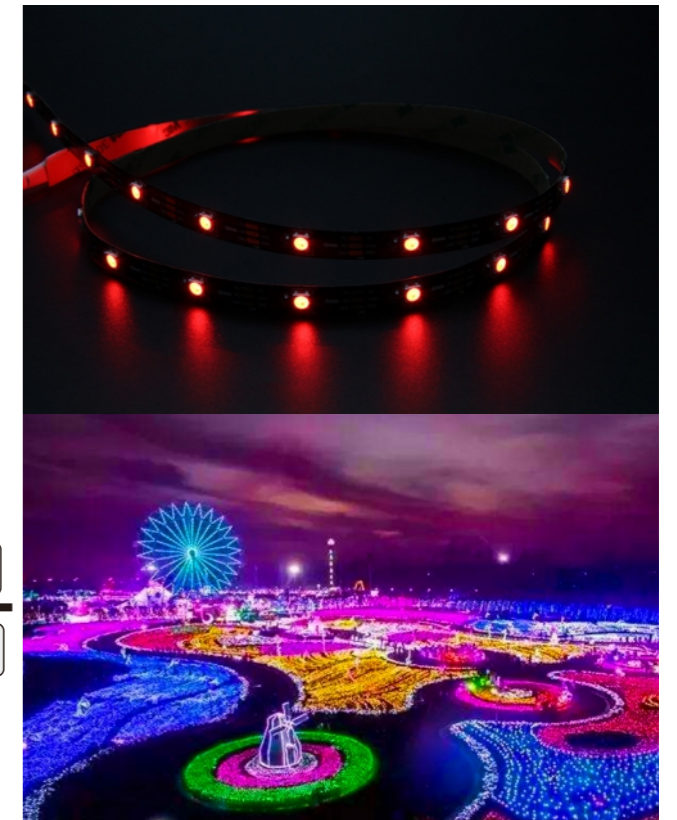
Product Number	S005030DA4SA1	S005060DA4SA1	S008144DA4SA1
Operating Voltage	DC5V	DC5V	DC5V
Power/M	7.2W	13W	32W
SMD Type	SMD 3535/30LEDs/m	SMD 3535/60LEDs/m	SMD 3535/144LEDs/m
Cutting Length	33.3mm/1LED	16.67mm/1LED	6.9mm/1LED
Control	SPI/SK6812	SPI/SK6812	SPI/SK6812
PCB Color	Black/White	Black/White	Black/White
Color	RGB+3000K/4000K/6500K	RGB+3000K/4000K/6500K	RGB+3000K/4000K/6500K
Size (mm)	5000x5mm	5000x5mm	1000x8mm
Pixel/m	30	60	144

Dimension (unit: mm/in)



Feature

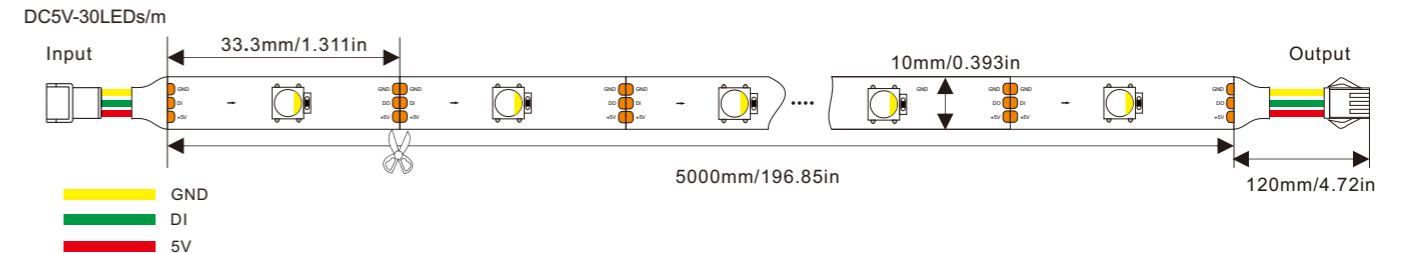
Addressable SK6812 series
RGBW
30/60/144LEDs/m available



Product Datasheet

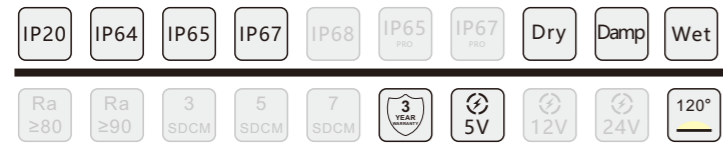
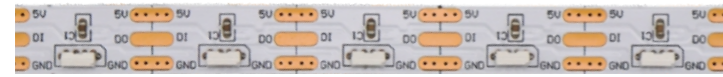
Product Number	S010030CA4SA1	S010060CA4SA1	S012144CA4SA1
Operating Voltage	DC5V	DC5V	DC5V
Power/M	7.2W	13W	32W
SMD Type	SMD 5050/30LEDs/m	SMD 5050/60LEDs/m	SMD 5050/144LEDs/m
Cutting Length	33.3mm/1LED	16.67mm/1LED	6.9mm/1LED
Control	SPI/SK6812/30pcs	SPI/SK6812/60pcs	SPI/SK6812/144pcs
PCB Color	Black/White	Black/White	Black/White
Color	RGB+3000K/4000K/6500K	RGB+3000K/4000K/6500K	RGB+3000K/4000K/6500K
Size (mm)	5000x10mm	5000x10mm	1000x12mm
Pixel/m	30	60	144

Dimension (unit: mm/in)



Feature

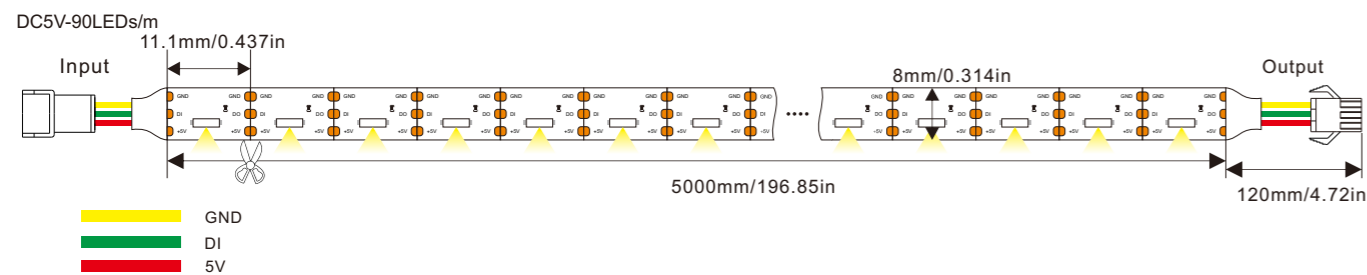
Addressable side emitting series
 RGB
 60/90/144LEDs/m



Product Datasheet

Product Number	S008090IA3SA1
Operating Voltage	DC5V
Power/M	16W
SMD Type	SMD 4020/90LEDs/m
Cutting Length	11.11mm/1LED
Control	SPI/SK6812/90pcs
PCB Color	White
Color	RGB
Size (mm)	5000x8mm
Pixel/m	90

Dimension (unit: mm/in)



Feature

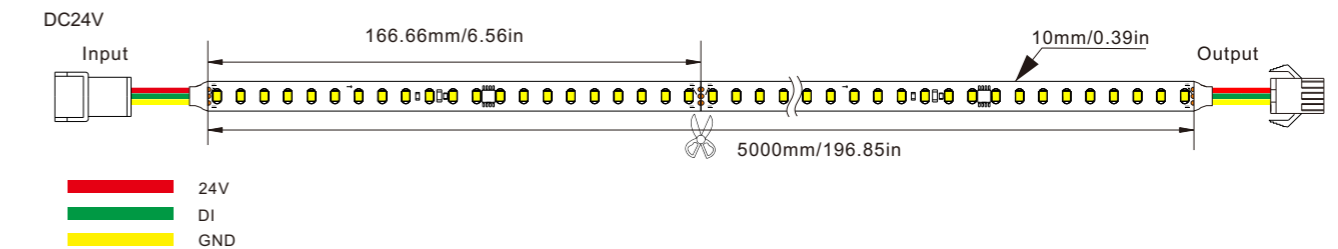
Digital WS2811
 Single color
 2835 126LEDs/m



Product Datasheet

Product Number	S010126BC1SF
Operating Voltage	DC24V
Power/M	9W
SMD Type	SMD 2835/126LEDs/m
Cutting Length	166.66mm/21LED
Control	SPI/WS2811/18pcs
PCB Color	White
Color	W:3000K/4000K/6500K
Size (mm)	5000x10mm
Pixel/M	18

Dimension (unit: mm/in)



Feature

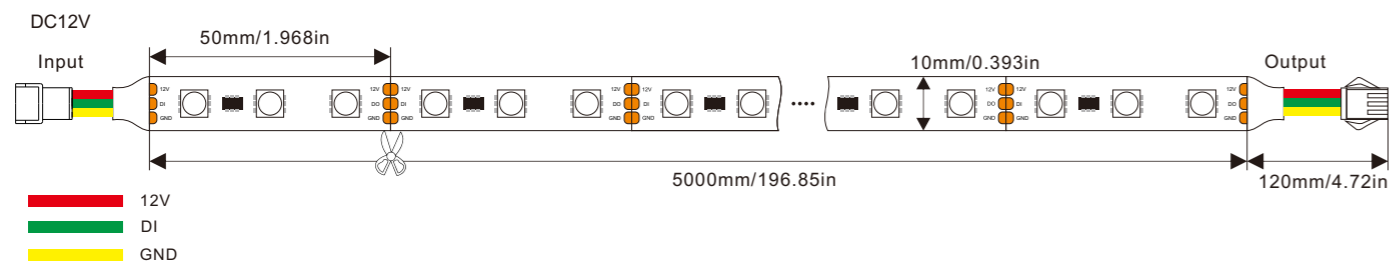
Digital WS2811
5050 60LEDs/m
RGB



Product Datasheet

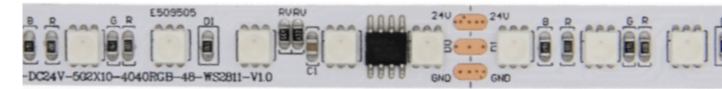
Product Number	S010060CB3SF	S010060CC3SF
Operating Voltage	DC12V	DC24V
Power/M	12W	12W
SMD Type	SMD 5050/60LEDs/m	SMD 5050/60LEDs/m
Cutting Length	50mm/3LED	100mm/6LED
Control	SPI-WS2811/20pcs	SPI-WS2811/10pcs
PCB Color	White/Black	White/Black
Color	RGB	RGB
Size (mm)	5000x10mm	5000x10mm
Pixel/M	20	10

Dimension (unit: mm/in)



Feature

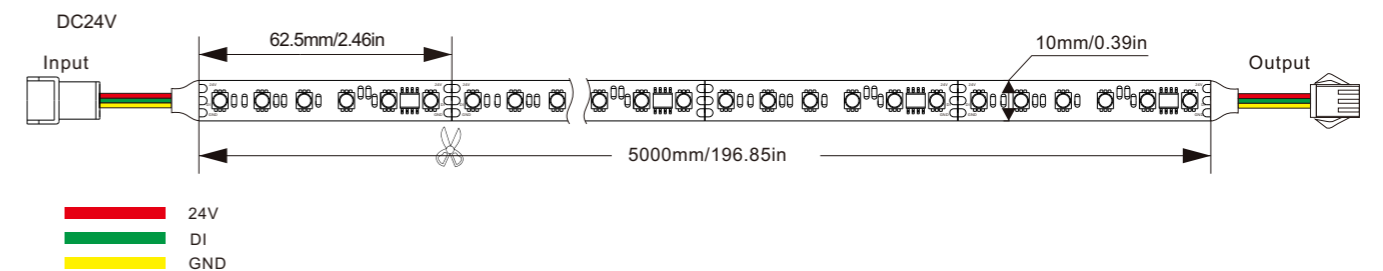
Digital WS2811
4040 96LEDs/m
RGB



Product Datasheet

Product Number	S010096TC3SF
Operating Voltage	DC24V
Power/M	20W
SMD Type	SMD 4040/96LEDs/m
Cutting Length	62.5mm/6LED
Control	SPI/WS2811/16pcs
PCB Color	White
Color	RGB
Size (mm)	5000x10mm
Pixel/M	16

Dimension (unit: mm/in)



Digital LED Strip

Feature

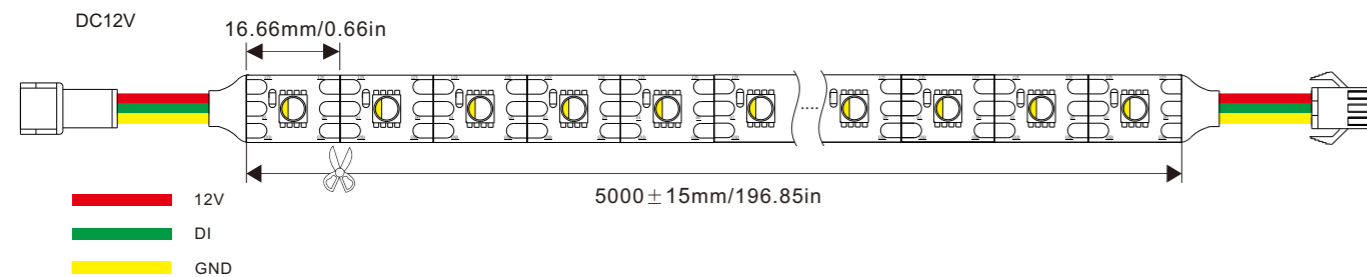
Digital WS2811
CCT tunable
5050 60LEDs/m



Product Datasheet

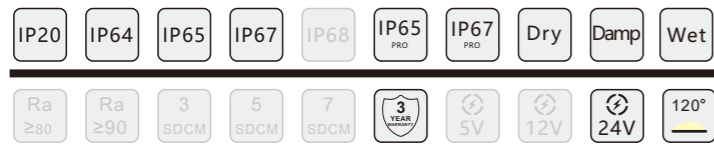
Product Number	S012060CB4SA1(12VLED)
Operating Voltage	DC 12V
Power/M	21W
SMD Type	SMD 5050 / 60LEDs/m
Cutting Length	50mm/1LED
Control	SPI/SK6805/60pcs
FPC Color	White
Size (mm)	5000x12mm
CCT	RGBW:3000K/4000K/6500K
Lumens/M	R:222 G:350 B:78 W:792lm

Dimension (unit: mm/in)



Feature

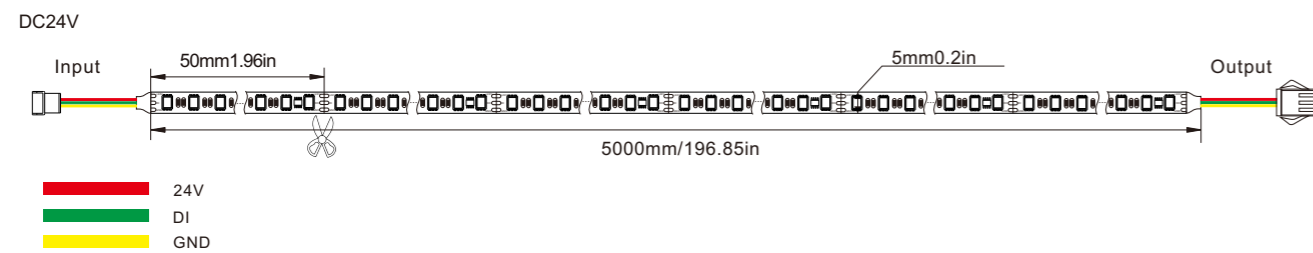
Digital TM1903
Ultra-narrow 5mm
2835 120LEDs/m
RGB



Product Datasheet

Product Number	S005120BC3SC
Operating Voltage	DC24V
Power/M	24W
SMD Type	SMD 2835/120LEDs/m
Cutting Length	50mm/6LED
Control	SPI/TM1903/20pcs
PCB Color	White
Color	RGB
Size (mm)	5000x5mm
Pixel/M	20

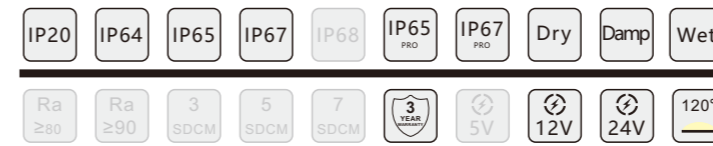
Dimension (unit: mm/in)



24V
DI
GND

Feature

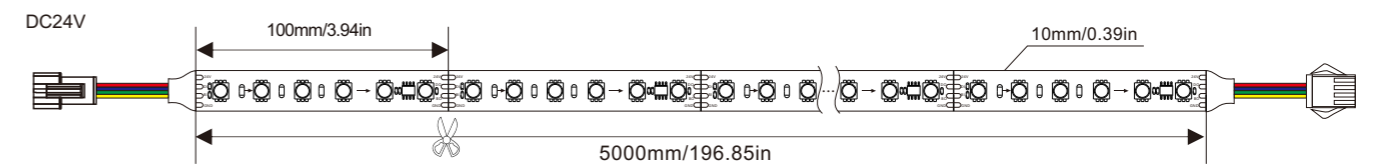
Dual signal WS2818
DC12V/24V
5050 60LEDs/m
RGB



Product Datasheet

Product Number	S010060CB3SC9	S010060CC3SC9
Operating Voltage	DC12V	DC24V
Power/M	13W	13W
SMD Type	SMD 5050/60LEDs/m	SMD 5050/60LEDs/m
Cutting Length	50mm/3LED	100mm/6LED
Control	SPI/WS2818/20pcs	SPI/WS2818/10pcs
PCB Color	White	White
Color	RGB	RGB
Size (mm)	5000x10mm	5000x10mm
Pixel/M	20	10

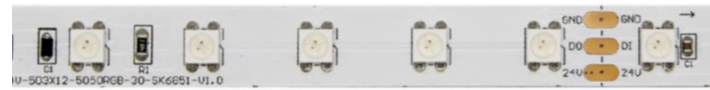
Dimension (unit: mm/in)



DC12V/24V
BI
DI
GND

Feature

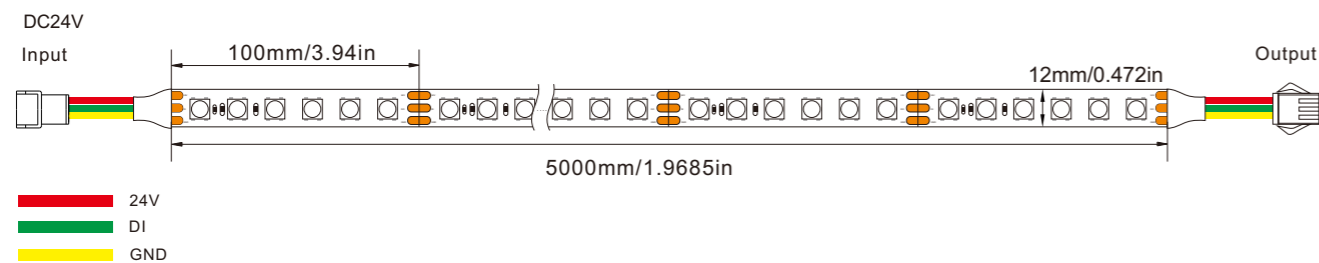
Addressable SK6851
DC24V
5050 60LEDs/m
RGB



Product Datasheet

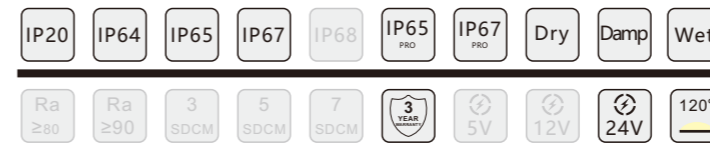
Product Number	S012060CC3SE8
Operating Voltage	DC24V
Power/M	7W
SMD Type	SMD 5050/60LEDs/m
Cutting Length	100mm/6LED
Control	SPI - SK6851/60pcs
PCB Color	White
Color	RGB
Size (mm)	5000x12mm
Pixel/M	60

Dimension (unit: mm/in)



Feature

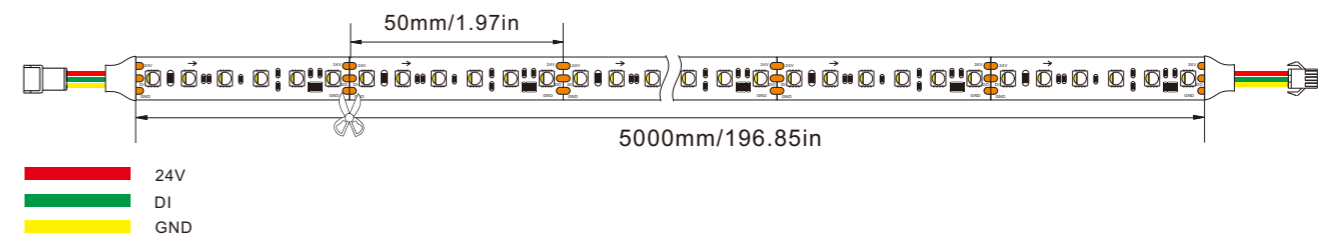
Digital WS2814
DC24V
4040 120LEDs/m
RGBW



Product Datasheet

Product Number	S012120TC4SC5
Operating Voltage	DC24V
Power/M	36W
SMD Type	SMD 4040/120LEDs/m
Cutting Length	50mm/6LED
Control	SPI/WS2814/20pcs
PCB Color	White
Color	RGB+W:3000K/4000K/6500K
Size (mm)	5000x12mm
Pixel/M	20

Dimension (unit: mm/in)



Feature

DMX signal
5050 120LEDs/m
RGBW



IP20 IP64 IP65 IP67 IP68 IP65 PRO IP67 PRO Dry Damp Wet

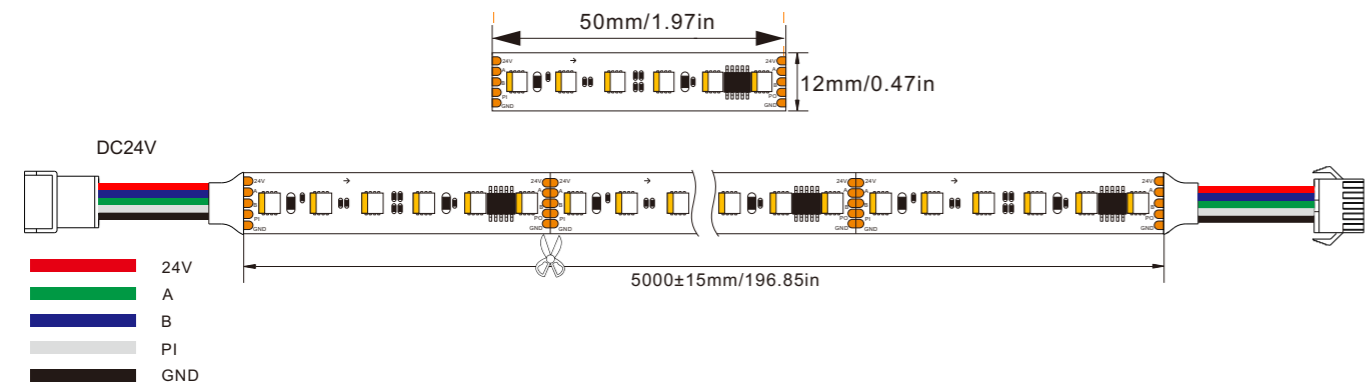
Ra ≥80 Ra ≥90 3 SDCM 5 SDCM 7 SDCM 3 YEAR WARRANTY 5V 12V 24V 120°



Product Datasheet

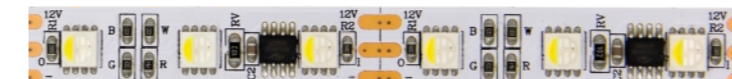
Product Number	S012120DC4DE1
Operating Voltage	DC24V
Power/M	24W
SMD Type	SMD3535/120LEDs/m
Cutting Length	50mm/6LED
Control	DMX/Hi512E/20pcs
PCB Color	White
Color	RGB+W:3000K/4000K/6500K
Size (mm)	5000x12mm
Pixel/M	20

Dimension (unit: mm/in)



Feature

Digital UCS2904
RGBW
5050 60LEDs/m



IP20 IP64 IP65 IP67 IP68 IP65 PRO IP67 PRO Dry Damp Wet

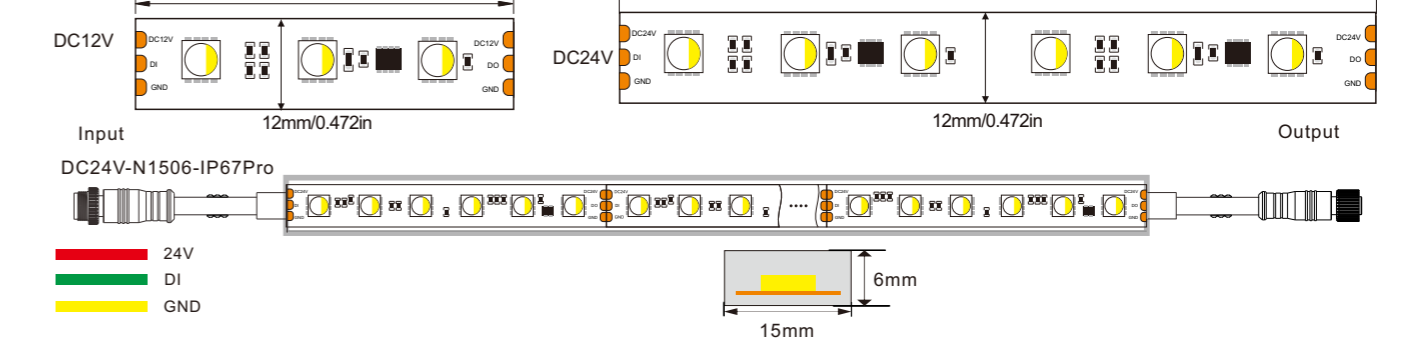
Ra ≥80 Ra ≥90 3 SDCM 5 SDCM 7 SDCM 3 YEAR WARRANTY 5V 12V 24V 120°



Product Datasheet

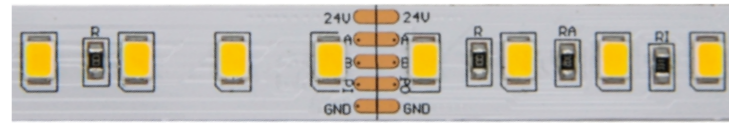
Product Number	S012060CB4ST	S012060CC4ST	S012060CC4ST(N1506-IP67Pro)
Operating Voltage	DC12V	DC24V	DC24V
Power/M	19.2W	19.2W	19.2W
SMD Type	SMD 5050/60LEDs/m	SMD 5050/60LEDs/m	SMD 5050/60LEDs/m
Cutting Length	50mm/3LED	100mm/6LED	100mm/6LED
Control	SPI-UCS2904/20pcs	SPI-UCS2904/10pcs	SPI-UCS2904/10pcs
PCB Color	White/Black	White/Black	White/Black
Color	RGB+W:3000K/4000K/6500K	RGB+W:3000K/4000K/6500K	RGB+W:3000K/4000K/6500K
Size (mm)	5000x12mm	5000x12mm	5000x15X6mm
Pixel/M	20	10	10

Dimension (unit: mm/in)



Feature

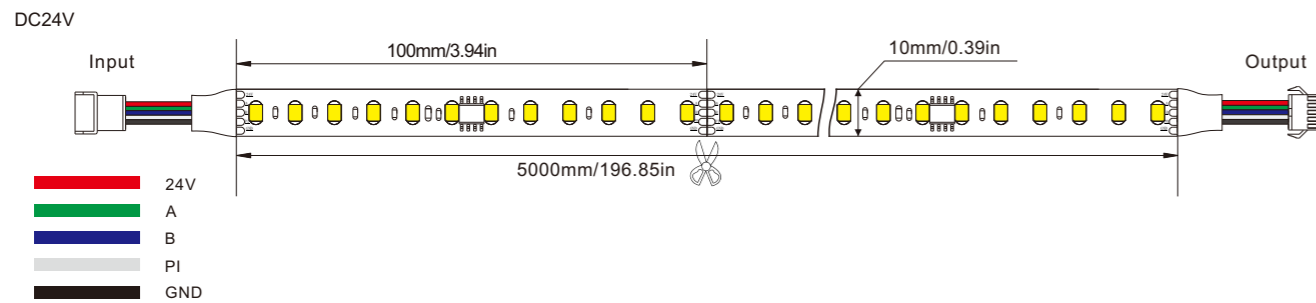
DMX signal
Single color
2835 120LEDs/m



Product Datasheet

Product Number	S010120BC1DC0
Operating Voltage	DC24V
Power/M	15W
SMD Type	SMD 2835/120LEDs/m
Cutting Length	100mm/12LED
Control	DMX/TM512AC/10pcs
PCB Color	White
Color	W:3000K/4000K/6500K
Size (mm)	5000x10mm
Pixel/M	10

Dimension (unit: mm/in)



Feature

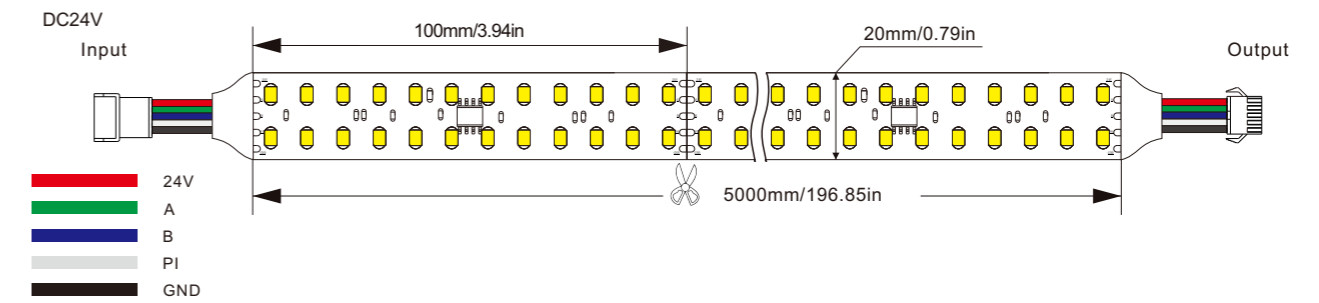
DMX signal
Single color
2835 240LEDs/m
Double row LED



Product Datasheet

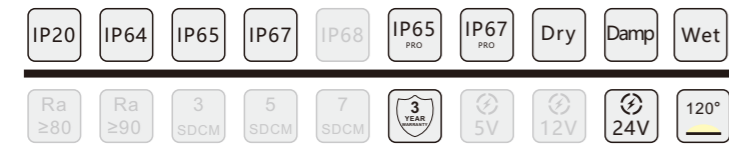
Product Number	S020240BC1DC0
Operating Voltage	DC24V
Power/M	19.2W
SMD Type	SMD 2835/240LEDs/m
Cutting Length	100mm/24LED
Control	DMX/TM512AC/10pcs
PCB Color	White
Color	W:3000K/4000K/6500K
Size (mm)	5000x20mm
Pixel/M	10

Dimension (unit: mm/in)



Feature

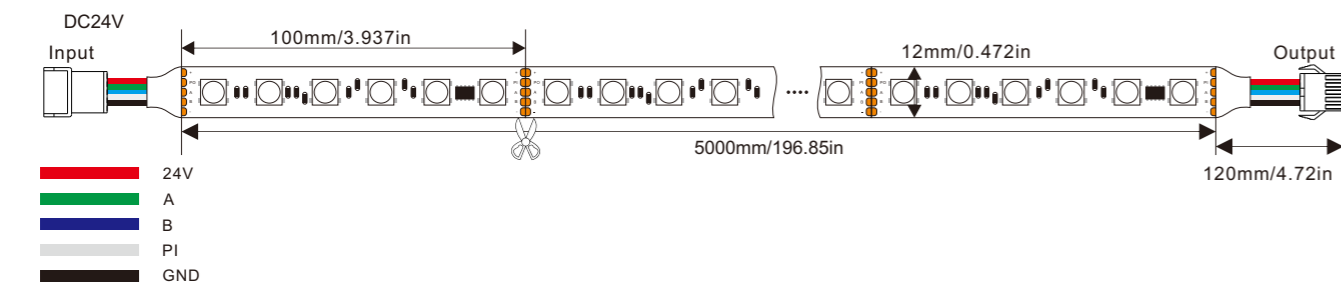
DMX signal
Automatic address/code
RGB



Product Datasheet

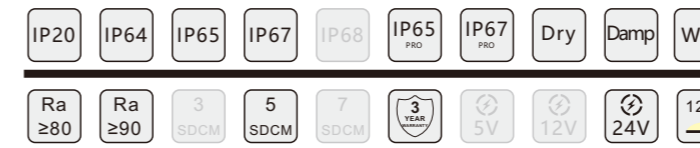
Product Number	S012060CC3DC6
Operating Voltage	DC24V
Power/M	14.4W
SMD Type	SMD 5050/60LEDs/m
Cutting Length	100mm/6LED
Control	DMX/SM18512
PCB Color	White/Black
Color	RGB
Size (mm)	5000x12mm
Pixel/M	10

Dimension (unit: mm/in)



Feature

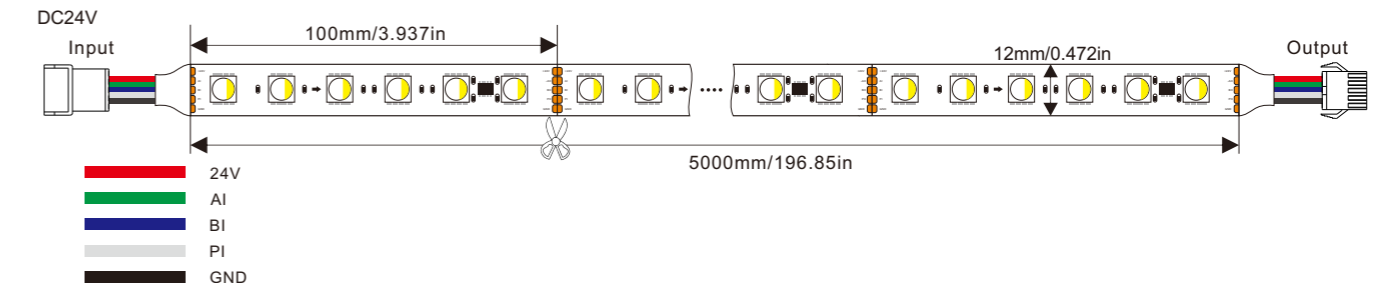
DMX signal
5050 60LEDs/m
RGBW



Product Datasheet

Product Number	S012060CC4DC0
Operating Voltage	DC24V
Power/M	19.2W
SMD Type	SMD 5050/60LEDs/m
Cutting Length	100mm/6LED
Control	DMX/TM512AC/10pcs
PCB Color	White
Color	RGB+W:3000K/4000K/6500K
Size (mm)	5000x12mm
Pixel/M	10

Dimension (unit: mm/in)



Feature

DMX signal
5050 84LEDs/m
RGBW



IP20 IP64 IP65 IP67 IP68 IP65 PRO IP67 PRO Dry Damp Wet

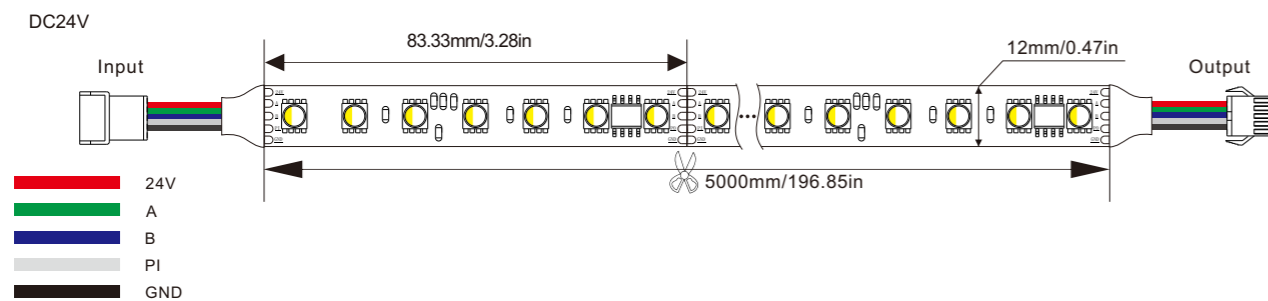
Ra ≥80 Ra ≥90 3 SDCM 5 SDCM 7 SDCM 3 YEAR 5V 12V 24V 120°



Product Datasheet

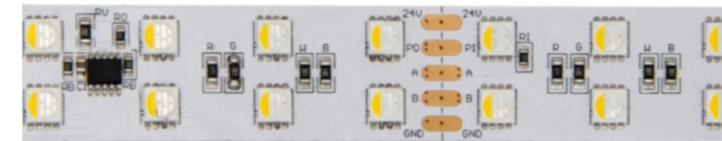
Product Number	S012084CC4DC0
Operating Voltage	DC24V
Power/M	23W
SMD Type	SMD 5050/84LEDs/m
Cutting Length	83.33mm/7LED
Control	DMX/TM512AC/12pcs
PCB Color	White
Color	RGBW:3000K/4000K/6500K
Size (mm)	5000x12mm
Pixel/M	12

Dimension (unit: mm/in)



Feature

DMX signal
5050 120LEDs/m
Double row LED
RGBW



IP20 IP64 IP65 IP67 IP68 IP65 PRO IP67 PRO Dry Damp Wet

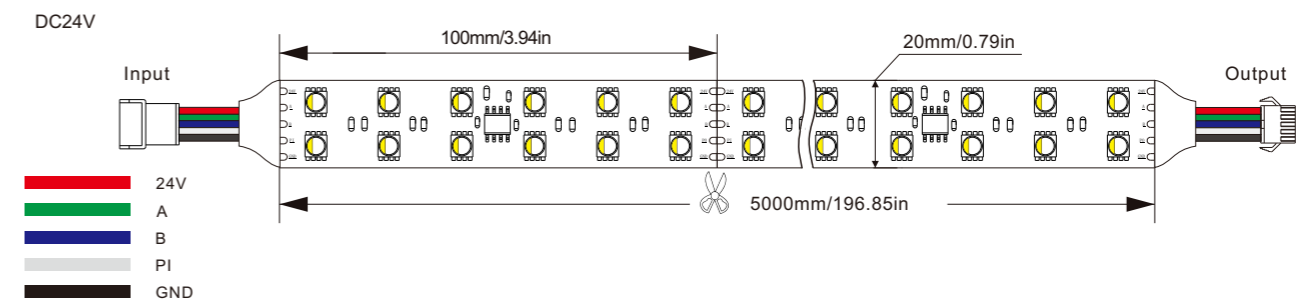
Ra ≥80 Ra ≥90 3 SDCM 5 SDCM 7 SDCM 3 YEAR 5V 12V 24V 120°



Product Datasheet

Product Number	S020120CC4DC0
Operating Voltage	DC24V
Power/M	19.2W
SMD Type	SMD 5050/120LEDs/m
Cutting Length	100mm/12LED
Control	DMX/TM512AC/10pcs
PCB Color	White
Color	RGB+W:3000K/4000K/6500K
Size (mm)	5000x20mm
Pixel/M	10

Dimension (unit: mm/in)



Feature

- S shape and bendable
- Addressable RGB
- 1+2 Ounce copper



IP20 IP64 IP65 IP67 IP68 IP65 PRO IP67 PRO Dry Damp Wet

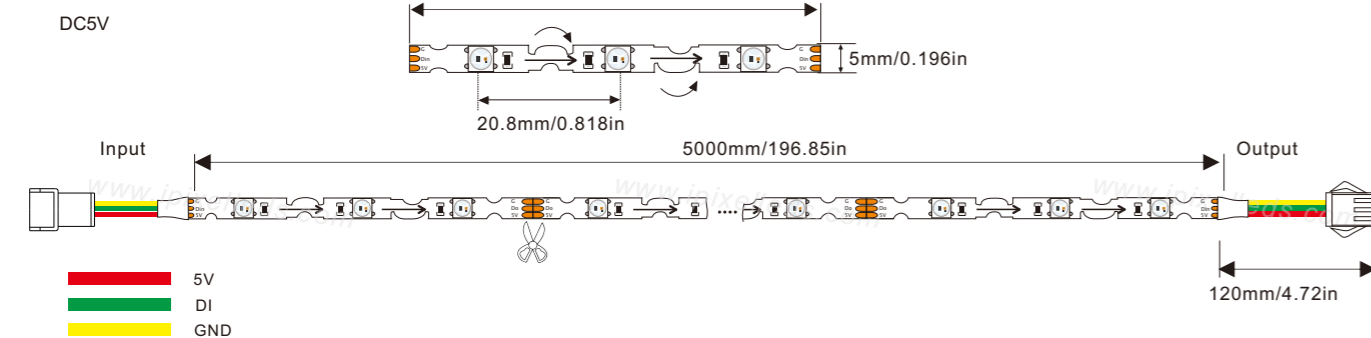
Ra ≥80 Ra ≥90 3 SDCM 5 SDCM 7 SDCM 3 YEAR 5V 12V 24V 120°



Product Datasheet

Product Number	S005048CA3SA1(S)
Operating Voltage	DC5V
Power/M	10W
SMD Type	SMD 5050/48LEDs/m
Cutting Length	62.5mm/3LED
Control	SPI/SK6812
Material	FPC
Color	RGB
Size (mm)	5000x5mm
Wavelength	R:620-625 G:520-525 B:460-465nm

Dimension (unit: mm/in)



Feature

- S shape and bendable
- Addressable RGB/RGBW
- 1+2 Ounce copper



IP20 IP64 IP65 IP67 IP68 IP65 PRO IP67 PRO Dry Damp Wet

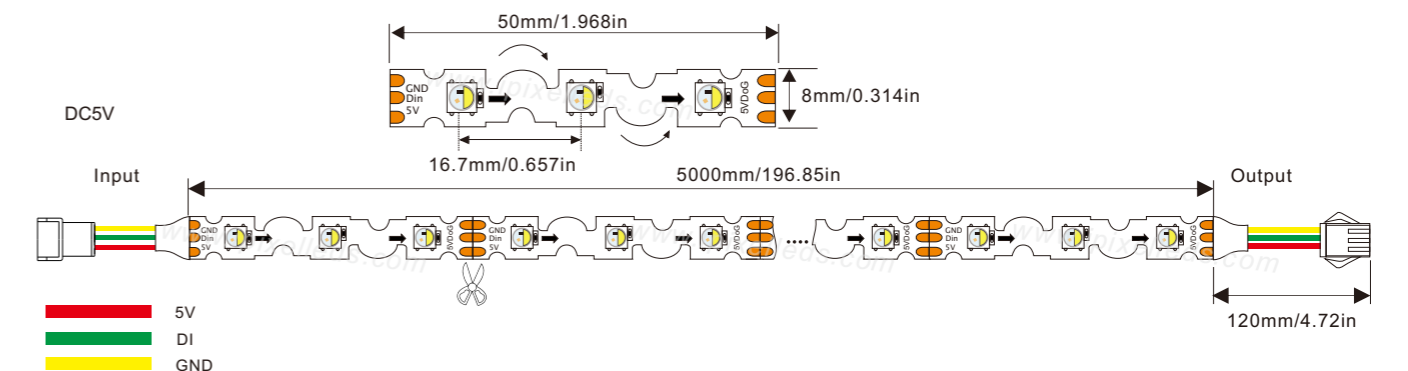
Ra ≥80 Ra ≥90 3 SDCM 5 SDCM 7 SDCM 3 YEAR 5V 12V 24V 120°



Product Datasheet

Product Number	S008060CA3SA1(S)	S008060CA4SA1(S)
Operating Voltage	DC5V	DC5V
Power/M	12W	13W
SMD Type	SMD 5050/60LEDs/m	SMD 5050/60LEDs/m
Cutting Length	50mm/3LED	50mm/3LED
Control	SPI/SK6812	SPI/SK6812
Material	FPC	FPC
Color	RGB	RGBW:3000K/4000K/6500K
Size (mm)	5000x8mm	5000x8mm
Wavelength	R:620-625 G:520-525 B:460-465nm	

Dimension (unit: mm/in)



Feature

- Side emitting
- Single-sided view
- 3*6mm
- Single color
- Mini cut each LED (4.17mm)

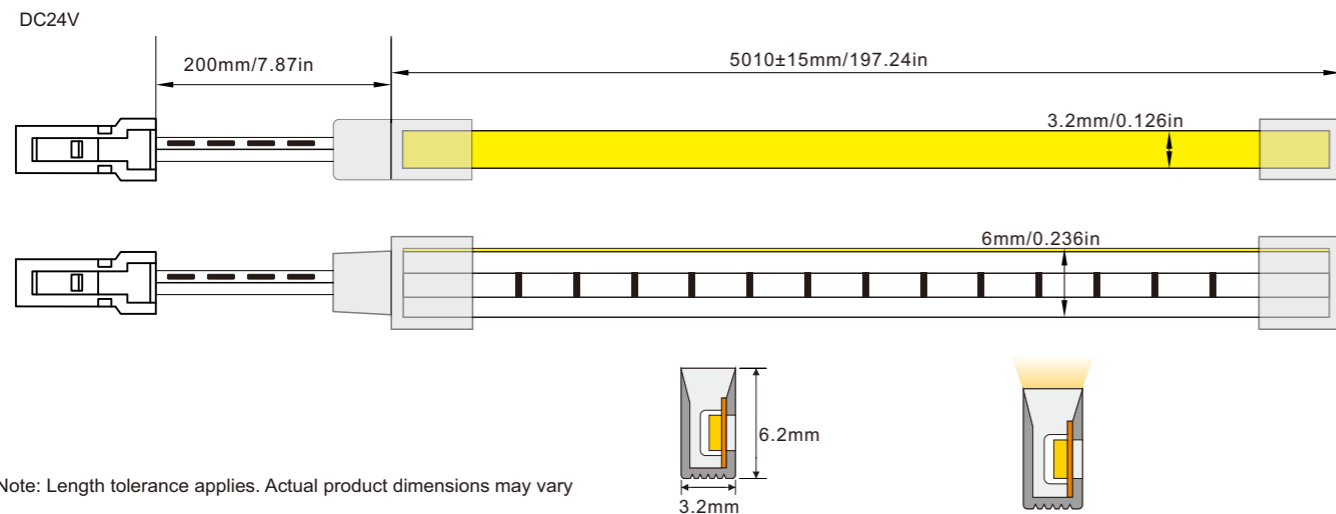
IP20 IP64 IP65 IP67 IP68 IP65 PRO IP67 PRO Dry Damp Wet
 Ra ≥80 Ra ≥90 3 SDCM 5 SDCM 7 SDCM 3 YEAR WARRANTY 5V 12V 24V 120°



Product Datasheet

Product Number	N003240UC1LZ(N0306)-Side view
Operating Voltage	DC24V
Power/M	7W
SMD Type	SMD1515/240LEDs/m
Emitting color	W:2400±250k/3200±300k/4000±450K
Size (mm)	(5010±15)x3x6mm
Material	Silicone
Cutting unit	4.17mm

Dimension (unit: mm/in)

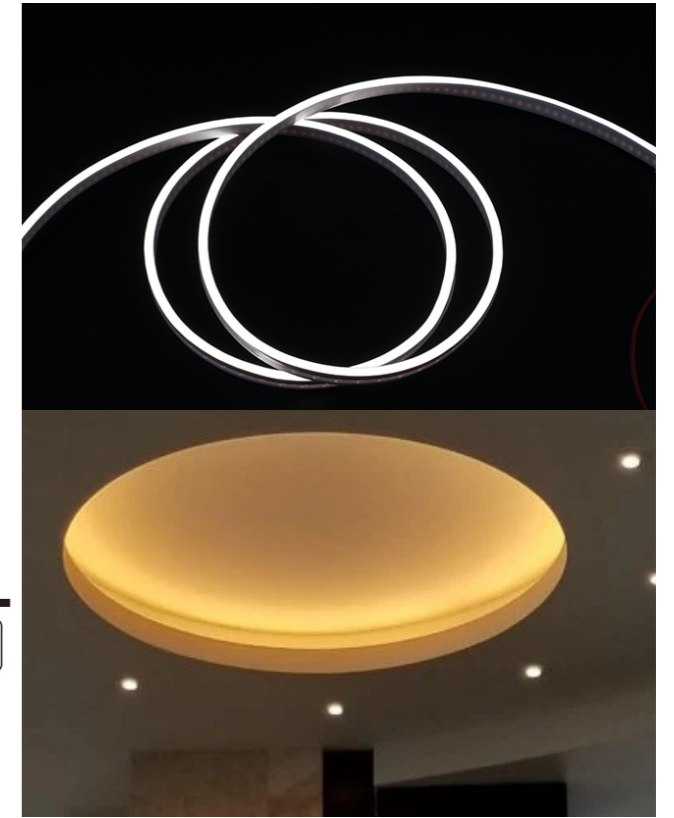


Note: Length tolerance applies. Actual product dimensions may vary

Feature

- Side emitting
- Single-sided view
- 3*6mm
- Two color

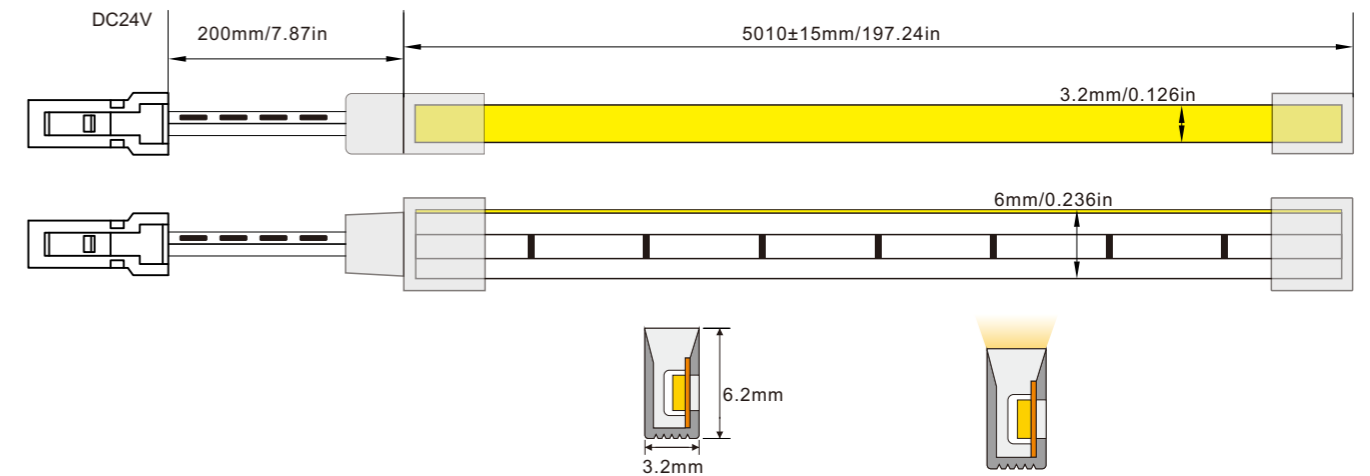
IP20 IP64 IP65 IP67 IP68 IP65 PRO IP67 PRO Dry Damp Wet
 Ra ≥80 Ra ≥90 3 SDCM 5 SDCM 7 SDCM 3 YEAR WARRANTY 5V 12V 24V 120°



Product Datasheet

Product Number	N003432UC2PZ(N0306)-Side view
Operating Voltage	DC5V
Power/M	8W
SMD Type	SMD 1515/432LEDs/m
Emitting color	2500K±250/4600K±450
Size (mm)	(5010±15)x3x6mm
Material	Silicone
Cutting unit	9.26mm

Dimension (unit: mm/in)



Note: Length tolerance applies. Actual product dimensions may vary

Feature

- Side emitting
- Single-sided view
- 4x10mm
- Single color

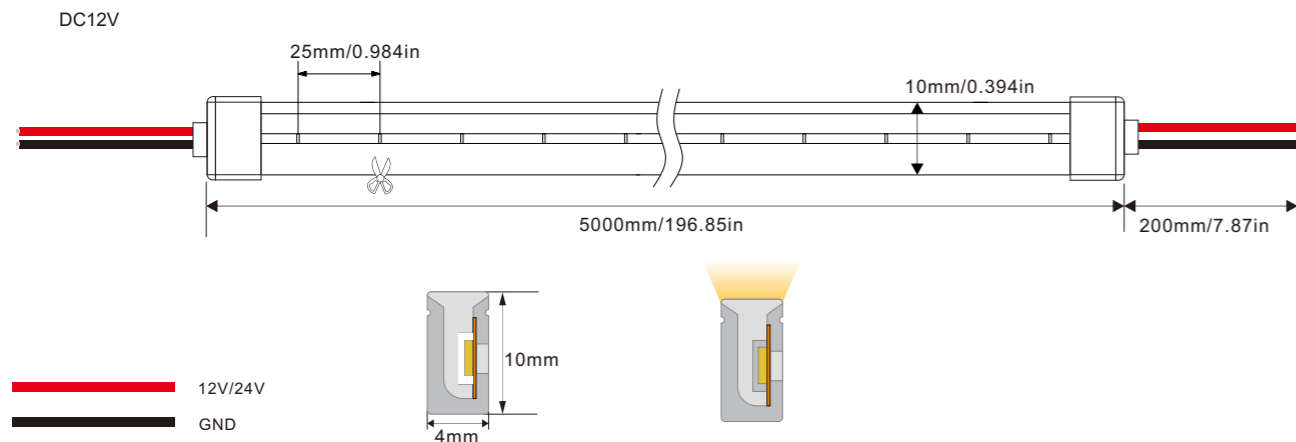
IP20 IP64 IP65 IP67 IP68 IP65 PRO IP67 PRO Dry Damp Wet
 Ra ≥80 Ra ≥90 3 SDCM 5 SDCM 7 SDCM 3 YEAR WARRANTY 5V 12V 24V 120°



Product Datasheet

Product Number	N004120BB1LZ	N004120BC1LZ
Operating Voltage	DC12V	DC24V
Power/M	5W	5W
SMD Type	SMD 2835/120LEDs/m	SMD 2835/120LEDs/m
Emitting color	R/G/B/3000K/4000K/6500K	R/G/B/3000K/4000K/6500K
Size (mm)	5000x4x10mm	5000x4x10mm
Material	Silicone	Silicone
Cutting unit	25mm	50mm

Dimension (unit: mm/in)



Feature

- Side emitting
- Single-sided view
- 6x12mm
- Single color
- Mini cut each LED (8.33mm)

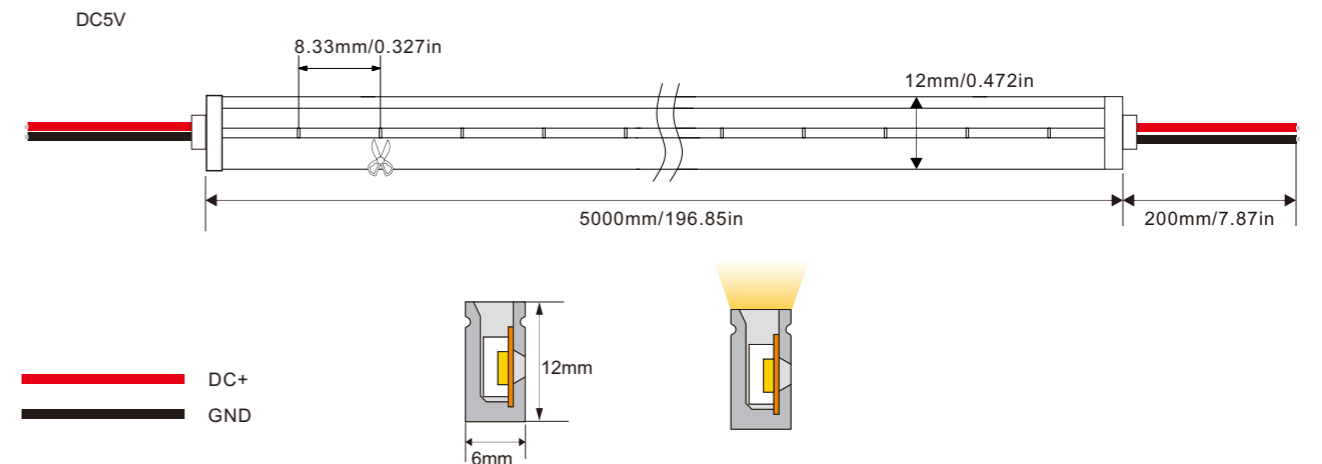
IP20 IP64 IP65 IP67 IP68 IP65 PRO IP67 PRO Dry Damp Wet
 Ra ≥80 Ra ≥90 3 SDCM 5 SDCM 7 SDCM 3 YEAR WARRANTY 5V 12V 24V 120°



Product Datasheet

Product Number	N006120BA1LZ	N006120BB1LZ	N006120BC1LZ
Operating Voltage	DC5V	DC12V	DC24V
Power/M	8W	8W	8W
SMD Type	SMD 2835/120LEDs/m	SMD 2835/120LEDs/m	SMD 2835/120LEDs/m
Emitting color	R/G/B/3000K/4000K/6500K	R/G/B/3000K/4000K/6500K	R/G/B/3000K/4000K/6500K
Size (mm)	5000x6x12mm	5000x6x12mm	5000x6x12mm
Material	Silicone	Silicone	Silicone
Cutting unit	8.33mm	25mm	50mm

Dimension (unit: mm/in)



Feature

- Side emitting
- Addressable RGB
- Single-sided view
- 6x12mm

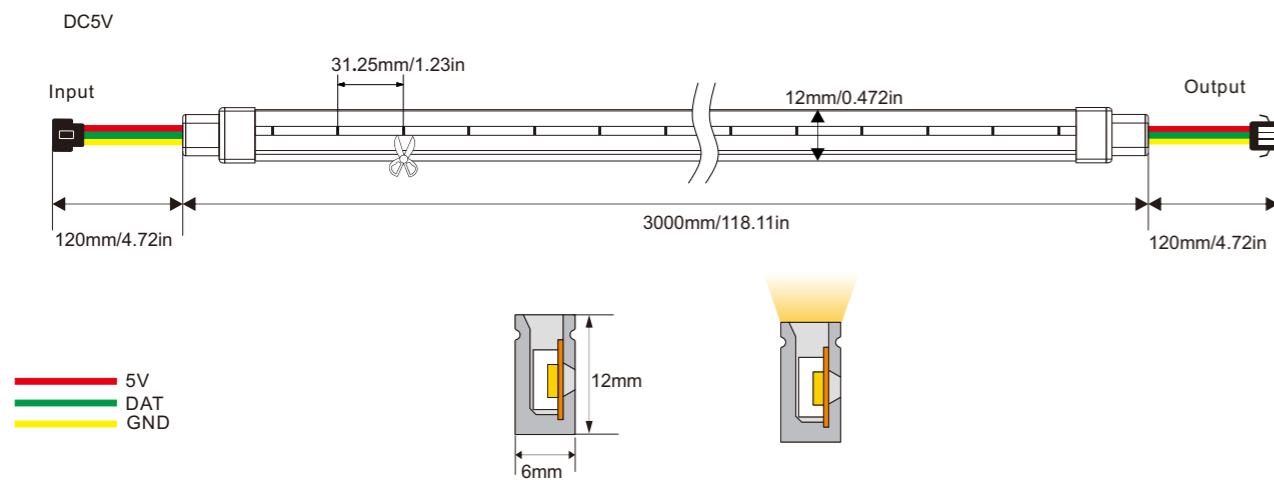
IP20 IP64 IP65 IP67 IP68 IP65 PRO IP67 PRO Dry Damp Wet
Ra ≥80 Ra ≥90 3 SDCM 5 SDCM 7 SDCM 3 YEAR WARR 5V 12V 24V 120°



Product Datasheet

Product Number	N006096BA3SF
Operating Voltage	DC5V
Power/M	19W
SMD Type	SMD 2835/96LEDs/m
Emitting color	RGB
Size (mm)	5000x6x12mm
Material	Silicone
Cutting unit	31.25mm
Control	SPI/SK6812

Dimension (unit: mm/in)



Feature

- Side emitting
- Arc surface view
- Single color
- 6x12mm

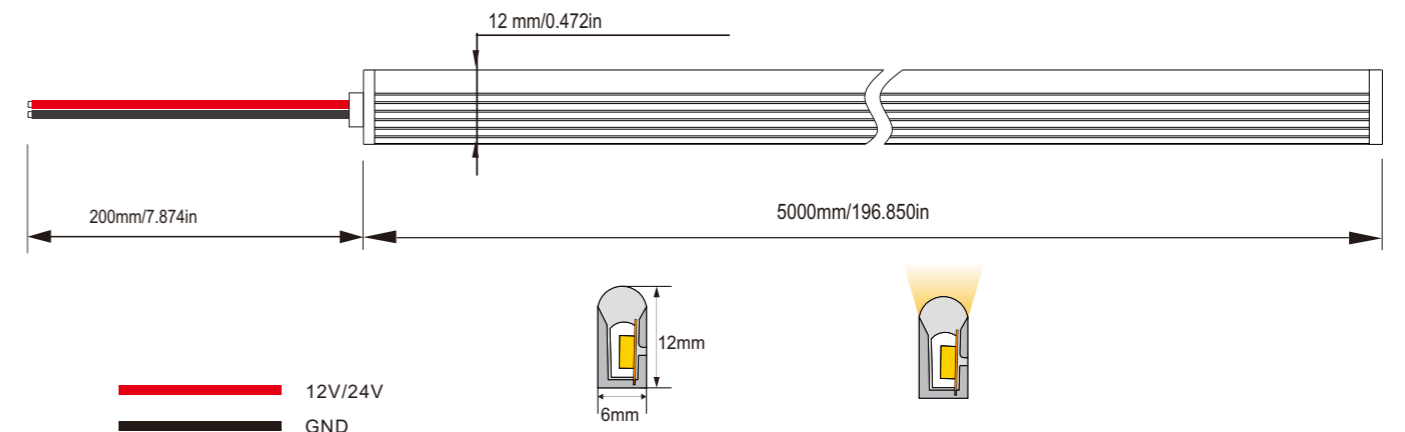
IP20 IP64 IP65 IP67 IP68 IP65 PRO IP67 PRO Dry Damp Wet
Ra ≥80 Ra ≥90 3 SDCM 5 SDCM 7 SDCM 3 YEAR WARR 5V 12V 24V 150°



Product Datasheet

Product Number	N006120BB1LZ	N006120BC1LZ
Operating Voltage	DC12V	DC24V
Power/M	8W	8W
SMD Type	SMD 2835/120LEDs/m	SMD 2835/120LEDs/m
Emitting color	R/G/B/3000K/4000K/6500K	R/G/B/3000K/4000K/6500K
Size (mm)	5000x6x12mm	5000x6x12mm
Material	Silicone	Silicone
Cutting unit	25mm	50mm

Dimension (unit: mm/in)



LED Neon Flex

Feature

Side emitting
Arc surface view
RGB
6x12mm



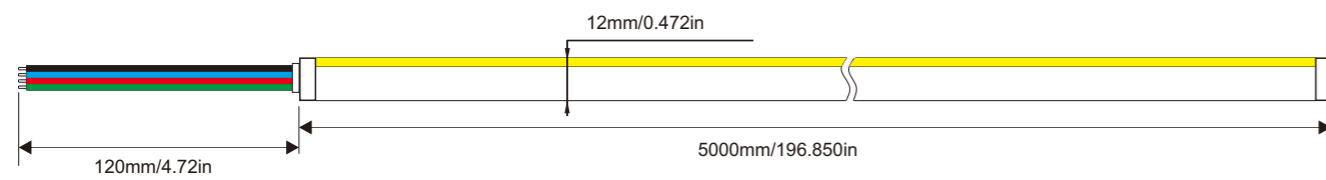
IP20 IP64 IP65 IP67 IP68 IP65 PRO IP67 PRO Dry Damp Wet
Ra ≥80 Ra ≥90 3 SDCM 5 SDCM 7 SDCM 3 YEAR 5V 12V 24V 150°



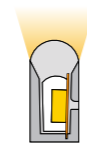
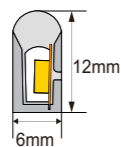
Product Datasheet

Product Number	N006120TB3PZ	N006120TC3PZ
Operating Voltage	DC12V	DC24V
Power/M	14W	14W
SMD Type	SMD 4040/96LEDs/m	SMD 4040/96LEDs/m
Emitting color	RGB	RGB
Size (mm)	5000x6x12mm	5000x6x12mm
Material	Silicone	Silicone
Cutting unit	31.3mm	62.5mm

Dimension (unit: mm/in)



— 12V/24V
— B
— R
— G



Feature

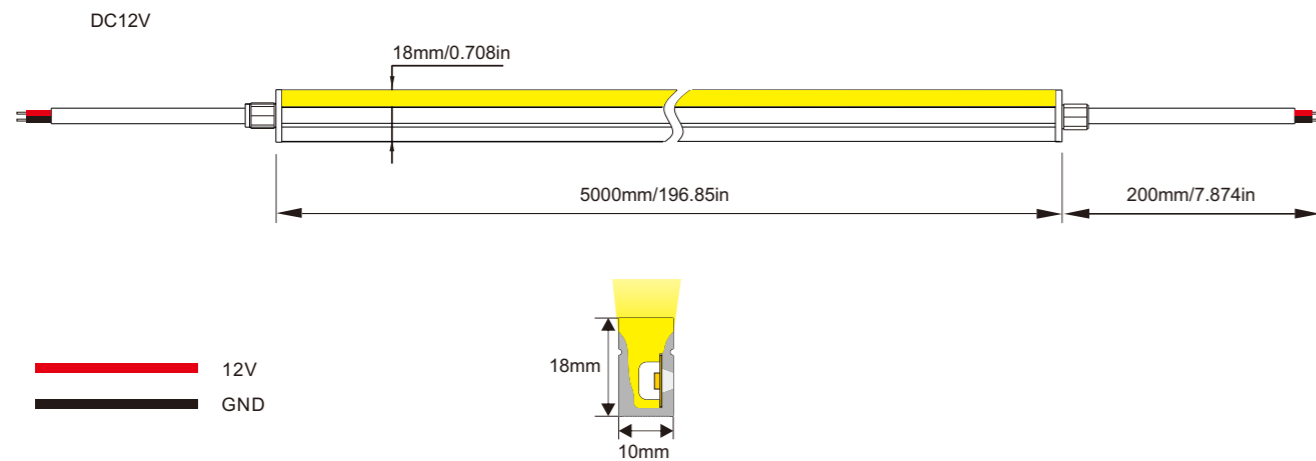
Side emitting
 Single-sided view
 Single color
 10X18mm



Product Datasheet

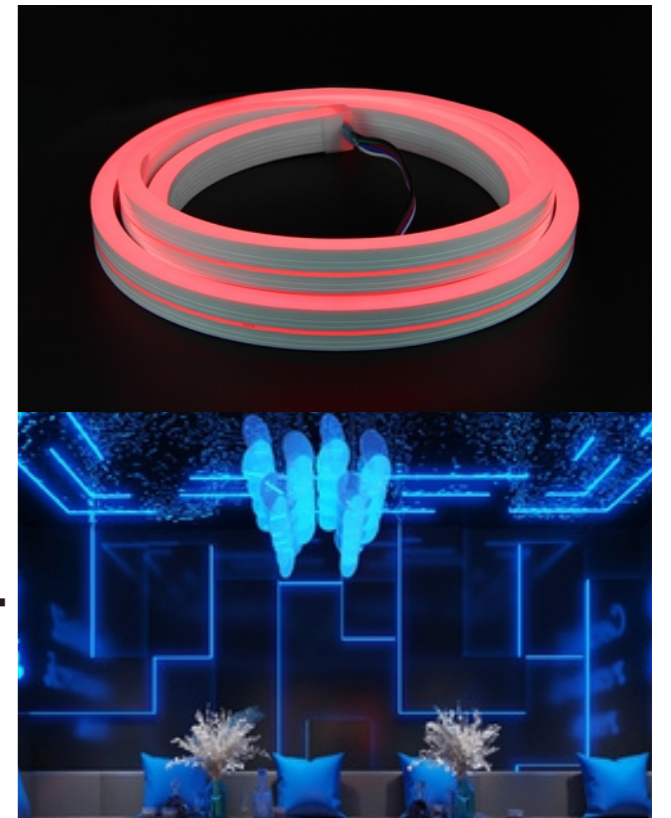
Product Number	N010120BC1LZ (N1018)
Operating Voltage	DC24V
Power/M	10W
SMD Type	SMD 2835/120LEDs/m
Emitting color	W:3000K/4000K/6500K
Size (mm)	5000x10x18mm
Material	Silicone
Cutting unit	50mm

Dimension (unit: mm/in)



Feature

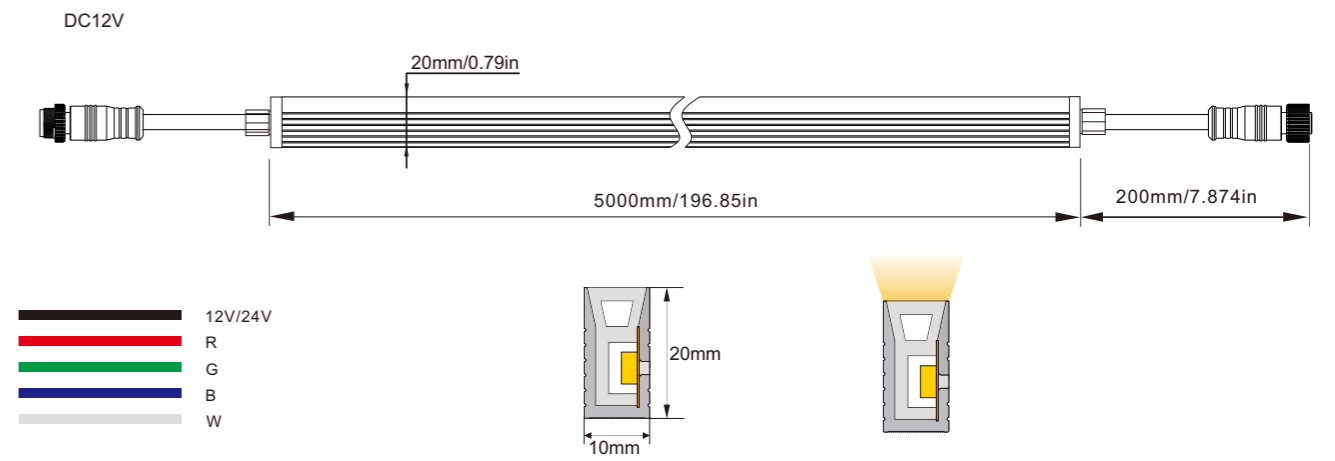
Side emitting
 Single-sided view
 RGBW
 10X20mm



Product Datasheet

Product Number	N010060CB4PZ	N010060CC4PZ
Operating Voltage	DC12V	DC24V
Power/M	19.2W	19.2W
SMD Type	SMD 5050/60LEDs/m	SMD 5050/60LEDs/m
Emitting color	RGB+W:3000K/4000K/6500K	RGB+W:3000K/4000K/6500K
Size (mm)	5000x10x20mm	5000x10x20mm
Material	Silicone	Silicone
Cutting unit	50mm	100mm

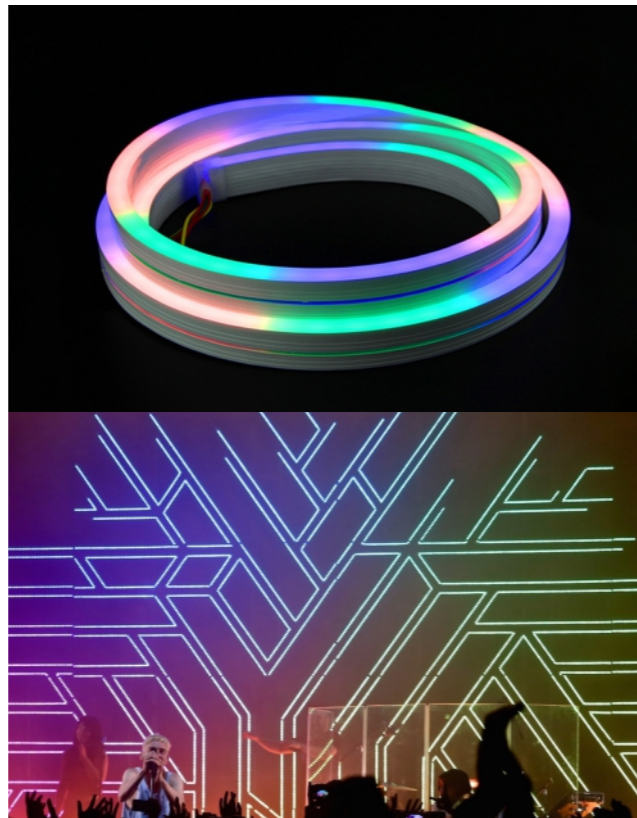
Dimension (unit: mm/in)



Feature

- Side emitting
- Single-sided view
- Digital RGBW
- 10X20mm

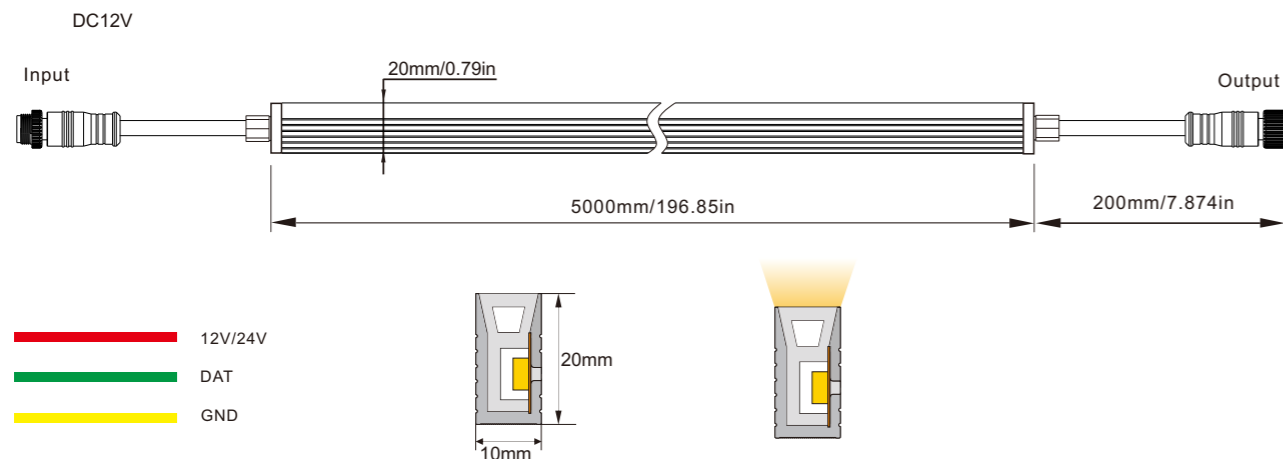
IP20 IP64 IP65 IP67 IP68 IP65 PRO IP67 PRO Dry Damp Wet
Ra ≥80 Ra ≥90 3 SDCM 5 SDCM 7 SDCM 3 YEAR 5V 12V 24V 120°



Product Datasheet

Product Number	N010060CB4ST	N010060CC4ST
Operating Voltage	DC12V	DC24V
Power/M	19.2W	19.2W
SMD Type	SMD 5050/60LEDs/m	SMD 5050/60LEDs/m
Emitting color	RGB+W:3000K/4000K/6500K	RGB+W:3000K/4000K/6500K
Size (mm)	5000x10x20mm	5000x10x20mm
Material	Silicone	Silicone
Cutting unit	50mm	100mm
Control/Pixel/M	SPI-UCS2904/20Pixel	SPI-UCS2904/10Pixel

Dimension (unit: mm/in)



Feature

- Side emitting
- Single-sided view
- Single color
- 12x20mm

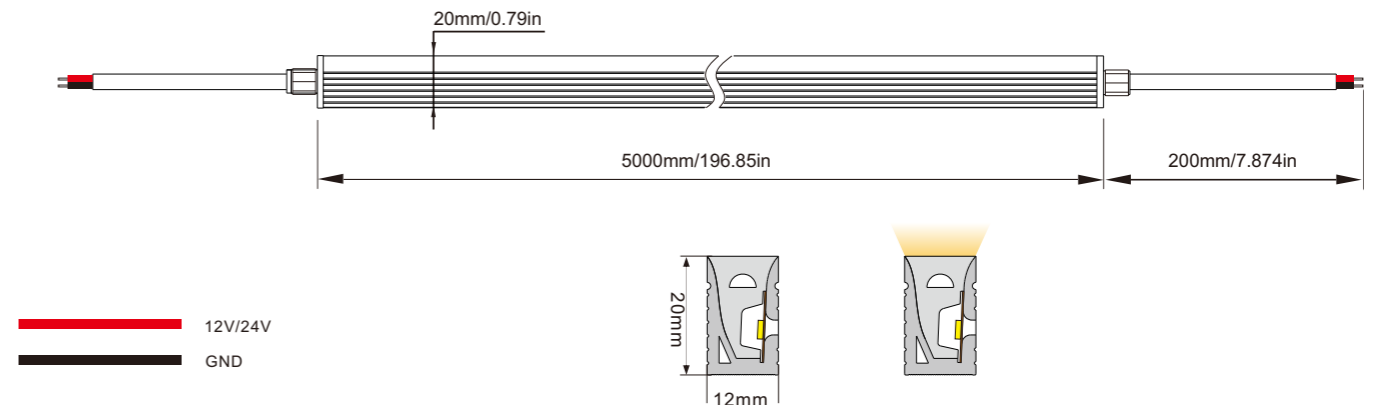
IP20 IP64 IP65 IP67 IP68 IP65 PRO IP67 PRO Dry Damp Wet
Ra ≥80 Ra ≥90 3 SDCM 5 SDCM 7 SDCM 3 YEAR 5V 12V 24V 120°



Product Datasheet

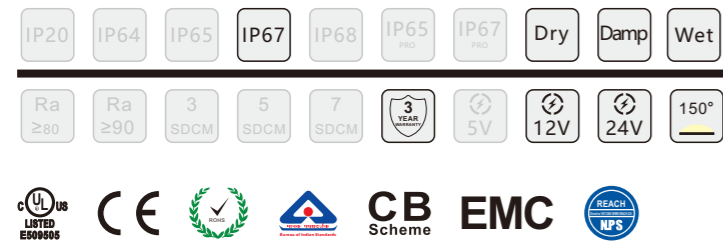
Product Number	N012120BB1LZ	N012120BC1LZ
Operating Voltage	DC12V	DC24V
Power/M	10W	10W
SMD Type	SMD 2835/120LEDs/m	SMD 2835/120LEDs/m
Emitting color	3000K/4000K/6500K	3000K/4000K/6500K
Size (mm)	5000x12x20mm	5000x12x20mm
Material	Silicone	Silicone
Cutting unit	25mm	50mm

Dimension (unit: mm/in)



Feature

Side emitting
Arc surface view
Digital
12x22mm

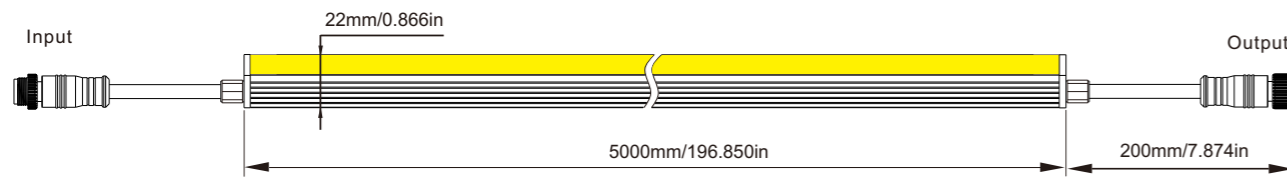


Product Datasheet

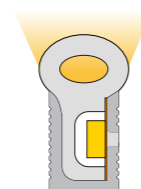
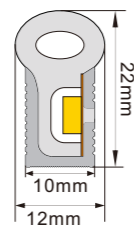
Product Number	N012060CB3SF	N012060CC3SF
Operating Voltage	DC12V	DC24V
Power/M	12W	12W
SMD Type	SMD 5050/60LEDs/m	SMD 5050/60LEDs/m
Emitting color	RGB	RGB
Size (mm)	5000x12x22mm	5000x12x22mm
Material	Silicone	Silicone
Cutting unit	50mm	100mm
Control	SPI-WS2811	SPI-WS2811

Dimension (unit: mm/in)

DC12V

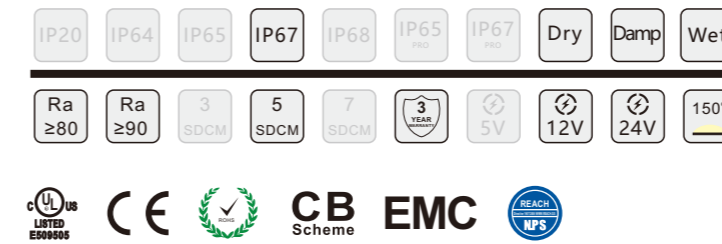


12V/24V
DI
GND



Feature

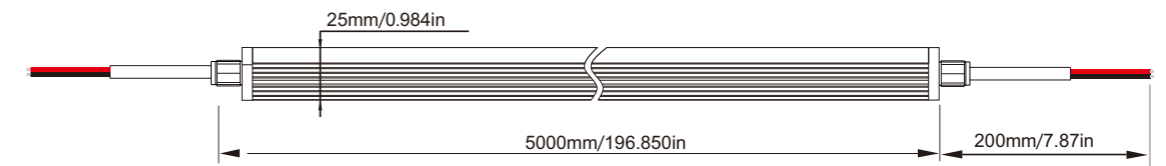
Side emitting
Arc surface view
Single color
14x25mm



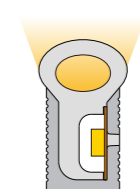
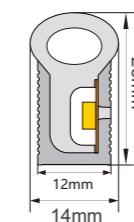
Product Datasheet

Product Number	N025120BB1LZ	N025120BC1LZ
Operating Voltage	DC12V	DC24V
Power/M	10W	10W
SMD Type	SMD 2835/120LEDs/m	SMD 2835/120LEDs/m
Emitting color	R/G/B/3000K/4000K/6500K	R/G/B/3000K/4000K/6500K
Size (mm)	5000x14x25mm	5000x14x25mm
Material	Silicone	Silicone
Cutting unit	25mm	50mm

Dimension (unit: mm/in)



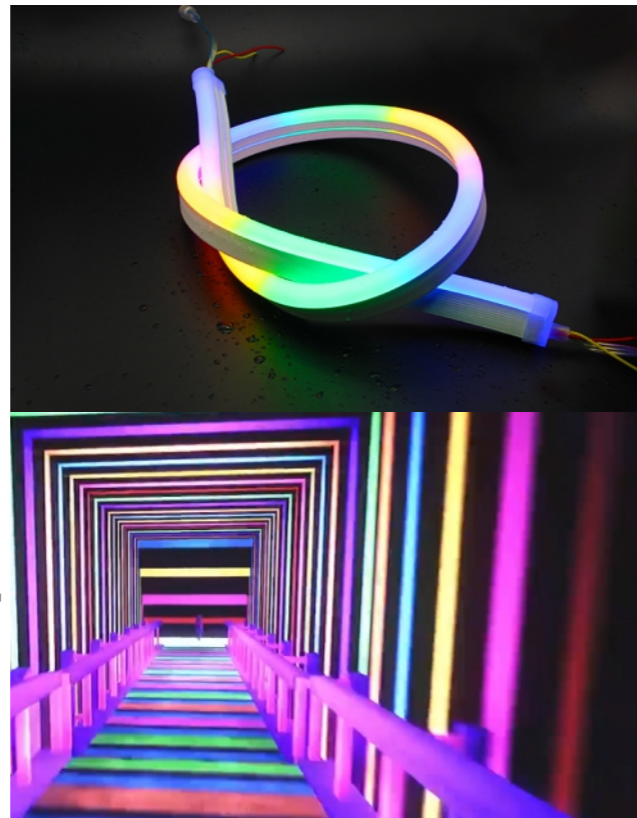
12V/24V
GND



Feature

Side emitting
Arc surface view
DMX RGBW
14x25mm

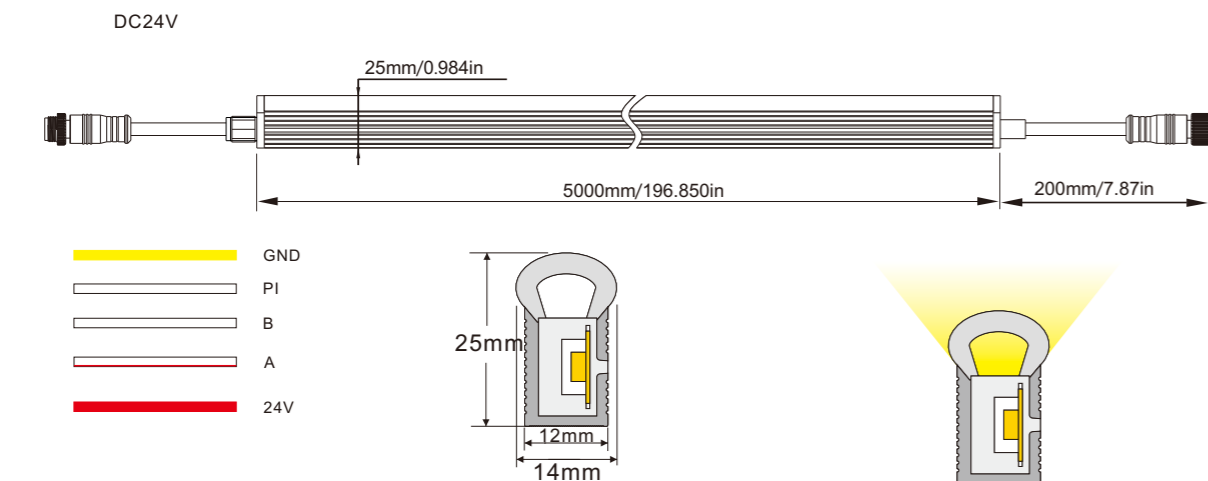
IP20 IP64 IP65 IP67 IP68 IP65 PRO IP67 PRO Dry Damp Wet
 Ra ≥80 Ra ≥90 3 SDCM 5 SDCM 7 SDCM 3 YEAR WARRANTY 5V 12V 24V 150°



Product Datasheet

Product Number	N014060CC4DC0
Operating Voltage	DC24V
Power/M	19.2W
SMD Type	SMD 5050/60LEDs/m
Emitting color	RGB+W:3000K/4000K/6500K
Size (mm)	5000x14x25mm
Material	Silicone
Cutting unit	100mm
Control	DMX/TM512AC/10pcs

Dimension (unit: mm/in)



Feature

Top view
Single color
11x5mm

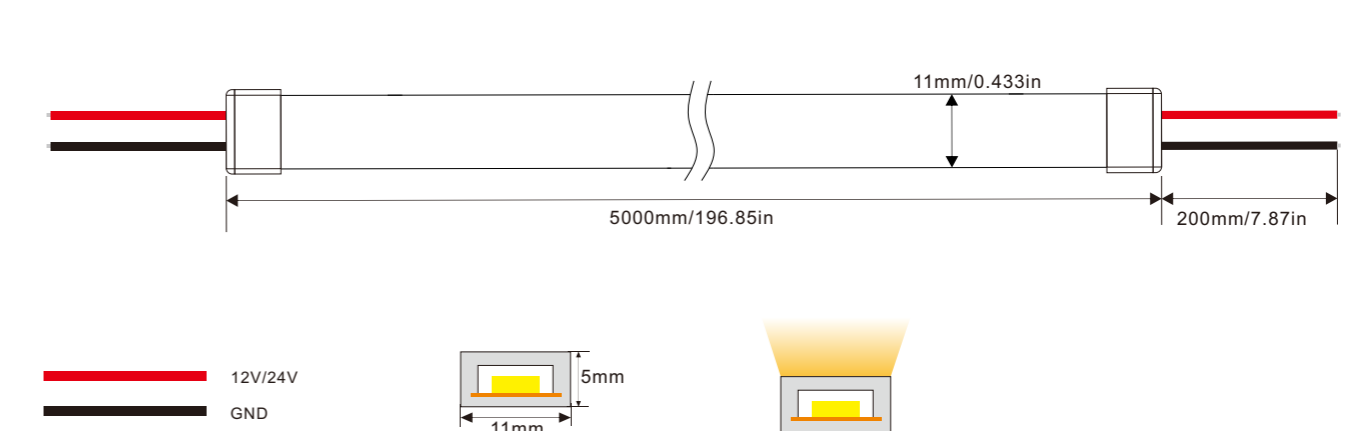
IP20 IP64 IP65 IP67 IP68 IP65 PRO IP67 PRO Dry Damp Wet
 Ra ≥80 Ra ≥90 3 SDCM 5 SDCM 7 SDCM 3 YEAR WARRANTY 5V 12V 24V 120°



Product Datasheet

Product Number	N011480ZB1LZ	N011480ZC1LZ
Operating Voltage	DC12V	DC24V
Power/M	10W	10W
SMD Type	SMD COB/480LEDs/m	SMD COB/480LEDs/m
Emitting color	R/G/B/3000K/4000K/6500K	R/G/B/3000K/4000K/6500K
Size (mm)	5000x11x5mm	5000x11x5mm
Material	Silicone	Silicone
Lumens/m	780lm	780lm

Dimension (unit: mm/in)



Feature

Top view
 Three-sides view
 Single color
 10x10mm

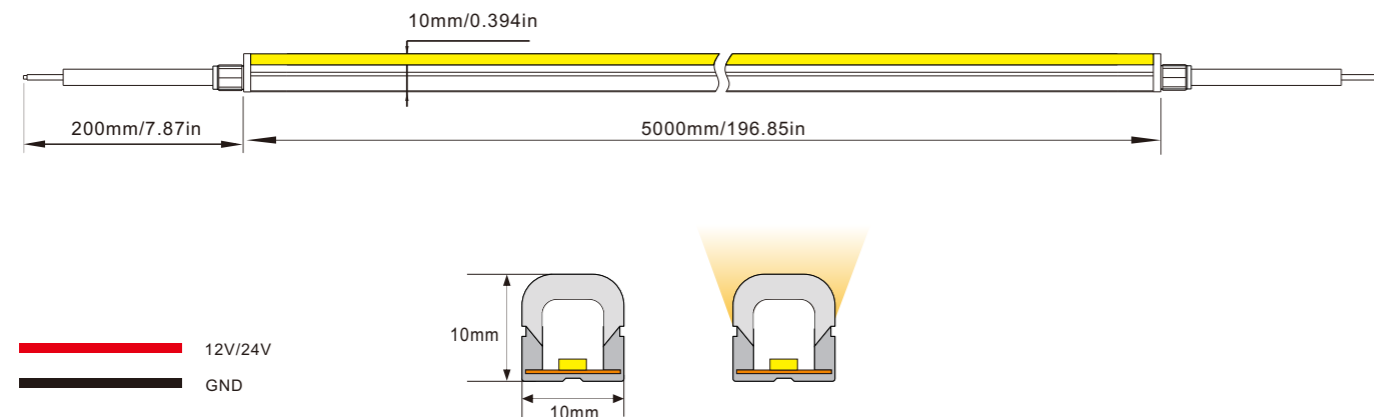
IP20 IP64 IP65 IP67 IP68 IP65 PRO IP67 PRO Dry Damp Wet
 Ra ≥80 Ra ≥90 3 SDCM 5 SDCM 7 SDCM 3 YEAR PRO 5V 12V 24V 150°



Product Datasheet

Product Number	N010120BB1LZ	N010120BC1LZ
Operating Voltage	DC12V	DC24V
Power/M	8W	8W
SMD Type	SMD 2835/120LEDs/m	SMD 2835/120LEDs/m
Emitting color	R/G/B/3000K/4000K/6500K	R/G/B/3000K/4000K/6500K
Size (mm)	5000x10x10mm	5000x10x10mm
Material	Silicone	Silicone
Cutting unit	25mm	50mm

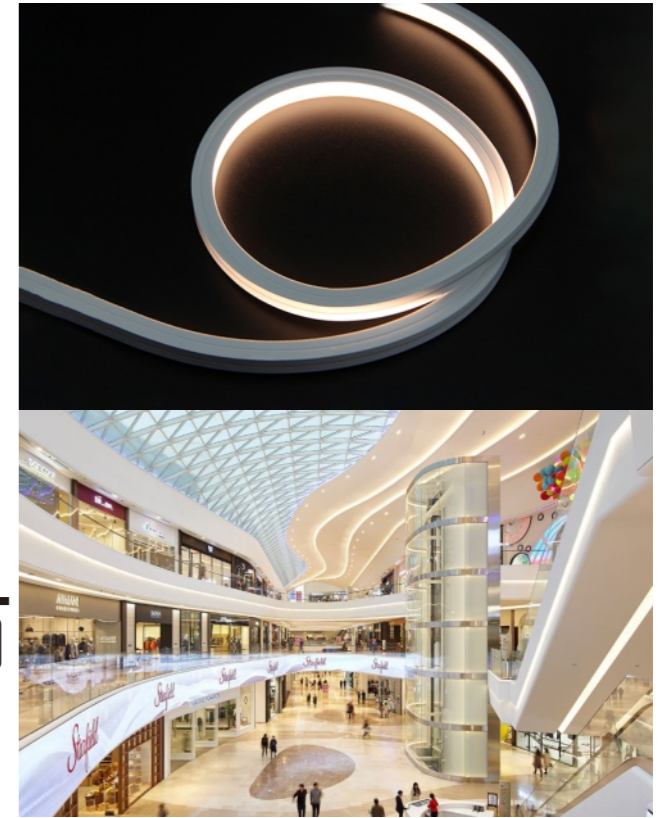
Dimension (unit: mm/in)



Feature

Top view
 Single color
 12x12mm

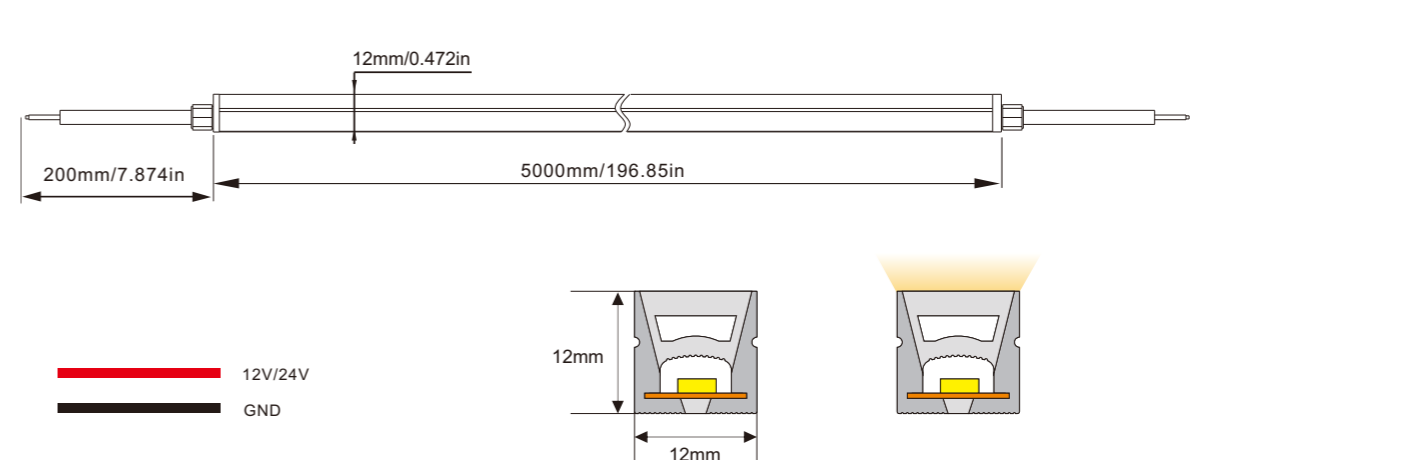
IP20 IP64 IP65 IP67 IP68 IP65 PRO IP67 PRO Dry Damp Wet
 Ra ≥80 Ra ≥90 3 SDCM 5 SDCM 7 SDCM 3 YEAR PRO 5V 12V 24V 120°



Product Datasheet

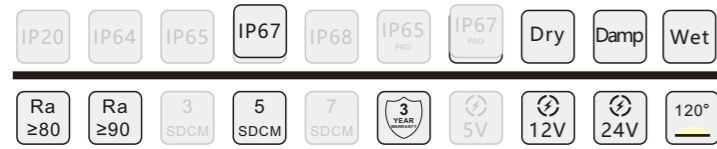
Product Number	N012120BB1LZ	N012120BC1LZ
Operating Voltage	DC12V	DC24V
Power/M	10W	10W
SMD Type	SMD 2835/120LEDs/m	SMD 2835/120LEDs/m
Emitting color	R/G/B/3000K/4000K/6500K	R/G/B/3000K/4000K/6500K
Size (mm)	5000x12x12mm	5000x12x12mm
Material	Silicone	Silicone
Cutting unit	25mm	50mm

Dimension (unit: mm/in)



Feature

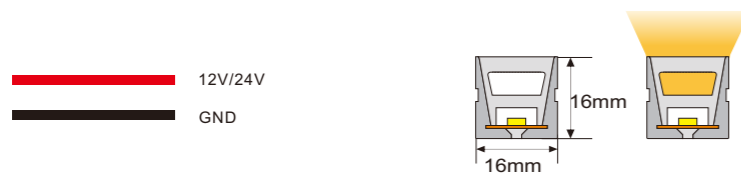
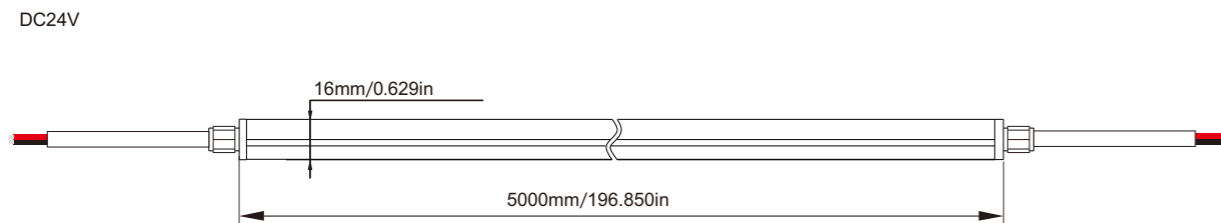
Top view
Single color
16x16mm



Product Datasheet

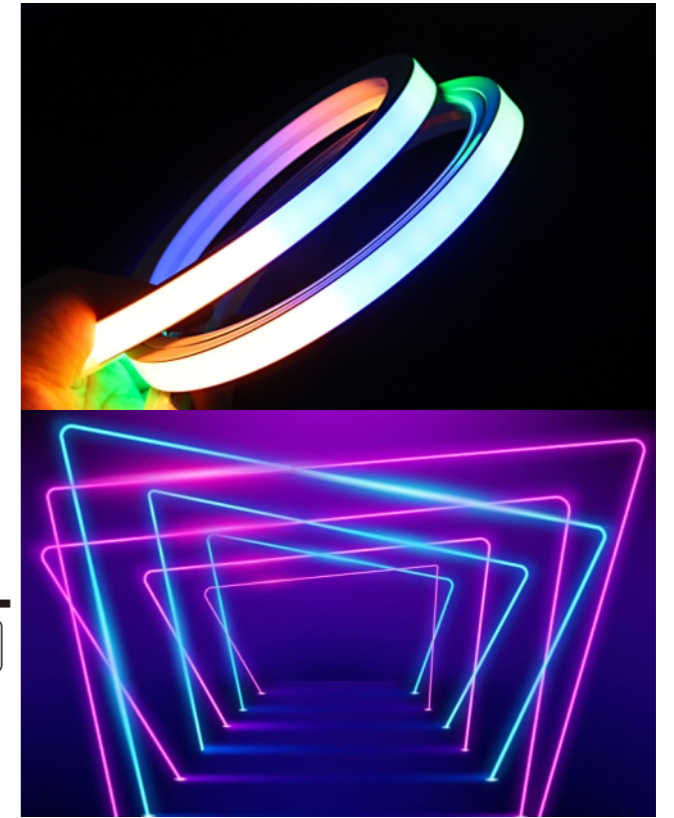
Product Number	N016120BB1LZ	N016120BC1LZ
Operating Voltage	DC12V	DC24V
Power/M	10W	10W
SMD Type	SMD 2835/120LEDs/m	SMD 2835/120LEDs/m
Emitting color	3000K/4000K/6500K	3000K/4000K/6500K
Size (mm)	5000x16x16mm	5000x16x16mm
Material	Silicone	Silicone
Cutting unit	25mm	50mm

Dimension (unit: mm/in)



Feature

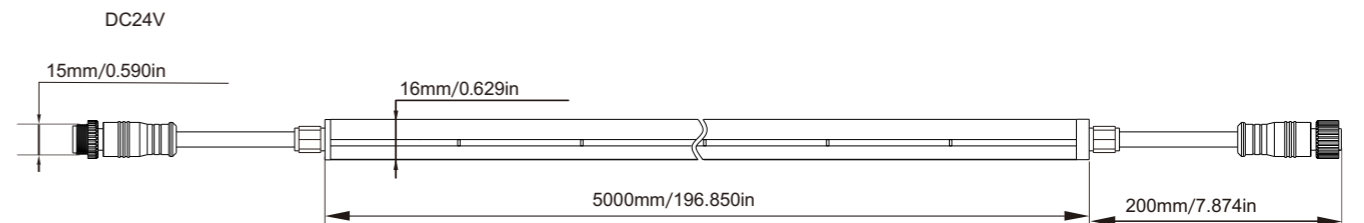
Top view
DMX RGBW
16x16mm



Product Datasheet

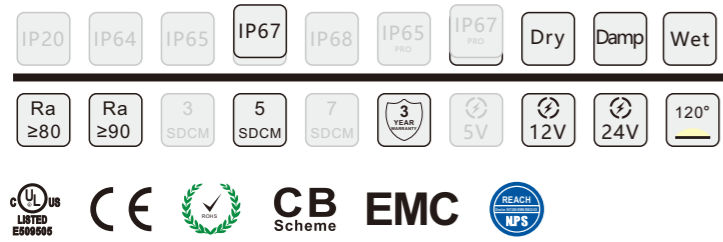
Product Number	N016084CC4DC0
Operating Voltage	DC24V
Power/M	23W
SMD Type	SMD 5050/84LEDs/m
Emitting color	RGB+W:3000K/4000K/6500K
Size (mm)	5000x16x16mm
Material	Silicone
Cutting unit	83.33mm
Control	DMX/TM512AC/12pcs

Dimension (unit: mm/in)



Feature

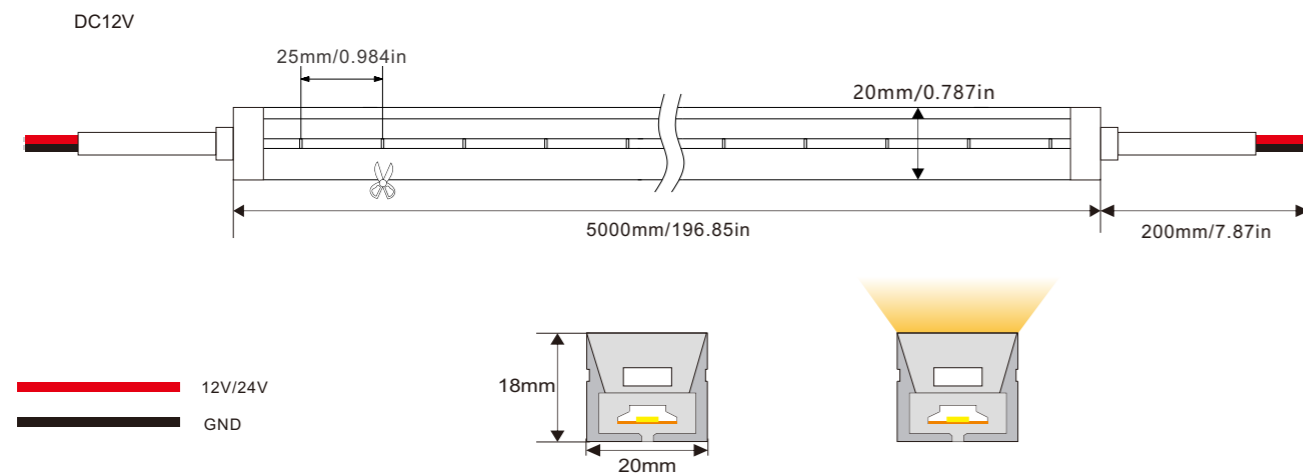
Top view
Single color
20x18mm



Product Datasheet

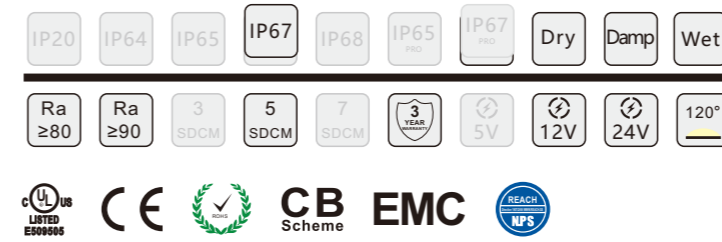
Product Number	N020120BB1LZ
Operating Voltage	DC12V
Power/M	10W
SMD Type	SMD 2835/120LEDs/m
Emitting color	R/G/B/3000K/4000K/6500K
Size (mm)	5000x20x18mm
Material	Silicone
Cutting unit	25mm

Dimension (unit: mm/in)



Feature

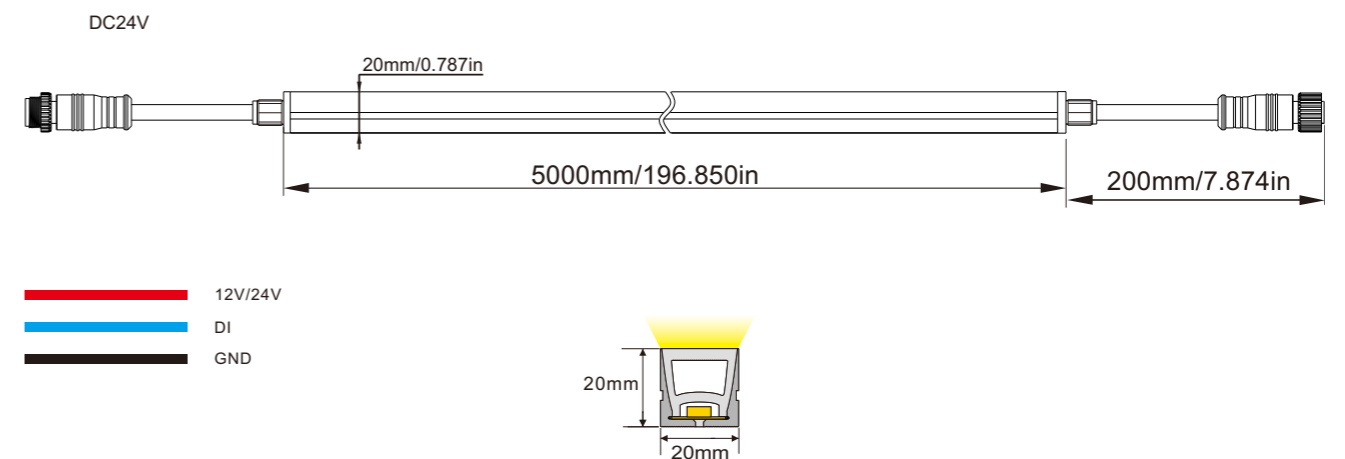
Top view
Digital WS2811 RGB
20x20mm



Product Datasheet

Product Number	N020060CB3SF(N2020)	N020060CC3SF(N2020)
Operating Voltage	DC12V	DC24V
Power/M	12W	12W
SMD Type	SMD 5050/60LEDs/m	SMD 5050/60LEDs/m
Emitting color	RGB	RGB
Size (mm)	5000x20x20mm	5000x20x20mm
Material	Silicone	Silicone
Cutting unit	50mm	100mm
Control	WS2811/20pcs	WS2811/20pcs

Dimension (unit: mm/in)



Feature

Top view
 top&side bend
 Single color
 15x15mm

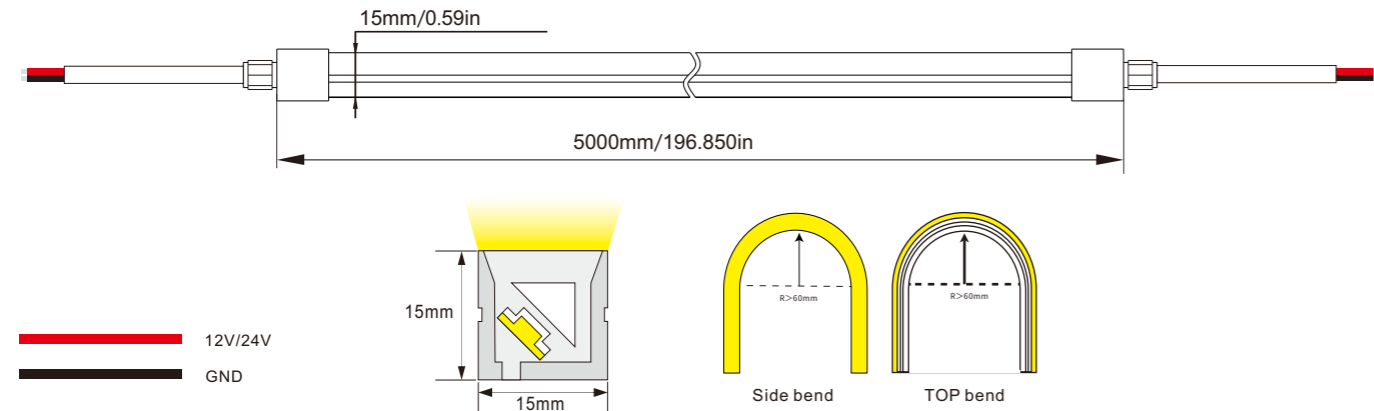
IP20 IP64 IP65 IP67 IP68 IP65 PRO IP67 PRO Dry Damp Wet
 Ra ≥80 Ra ≥90 3 SDCM 5 SDCM 7 SDCM 3 YEAR PRO 5V 12V 24V 150°



Product Datasheet

Product Number	N015120BB1LZ	N015120BC1LZ
Operating Voltage	DC12V	DC24V
Power/M	10W	10W
SMD Type	SMD 2835/120LEDs/m	SMD 2835/120LEDs/m
Emitting color	R/G/B/3000K/4000K/6500K	R/G/B/3000K/4000K/6500K
Size (mm)	5000x15x15mm	5000x15x15mm
Material	Silicone	Silicone
Cutting unit	50mm	50mm

Dimension (unit: mm/in)



Feature

Top view
 top&side bend
 SPI-UCS1903BC RGB
 15x15mm

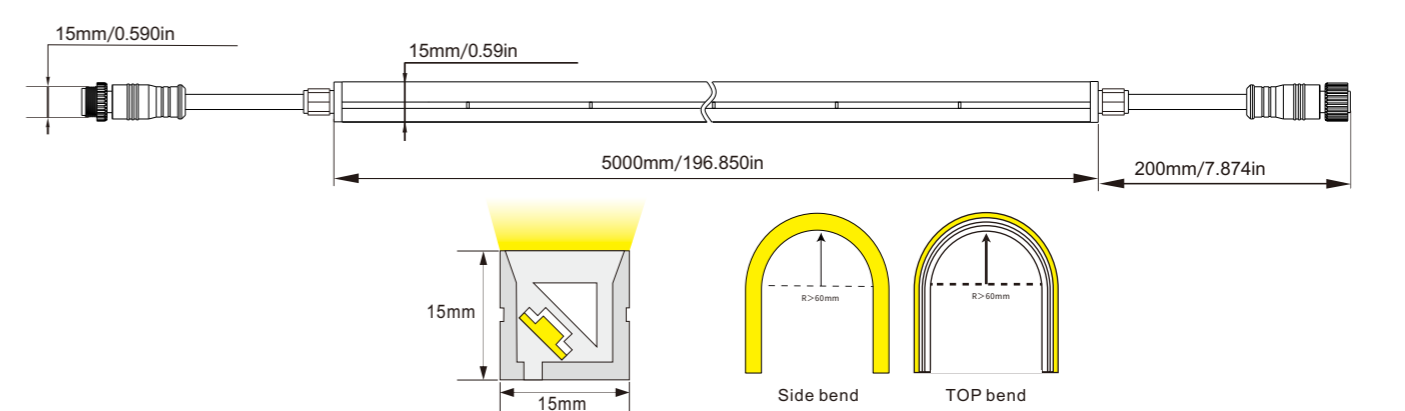
IP20 IP64 IP65 IP67 IP68 IP65 PRO IP67 PRO Dry Damp Wet
 Ra ≥80 Ra ≥90 3 SDCM 5 SDCM 7 SDCM 3 YEAR PRO 5V 12V 24V 120°

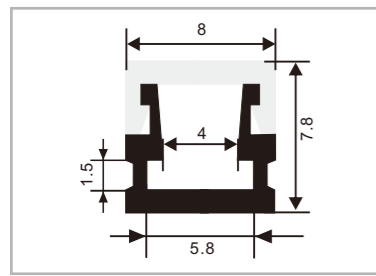


Product Datasheet

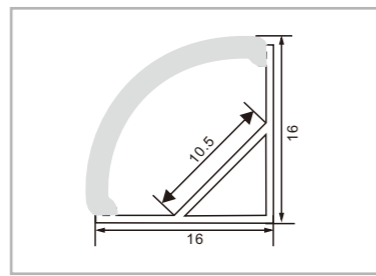
Product Number	N015120BC3SC
Operating Voltage	DC24V
Power/M	21W
SMD Type	SMD 2835/120LEDs/m
Emitting color	RGB
Size (mm)	5000x15x15mm
Material	Silicone
Cutting unit	50mm
Control	SPI-UCS1903BC

Dimension (unit: mm/in)

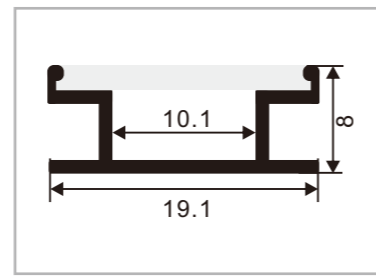




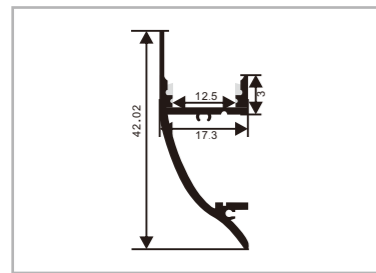
DE07



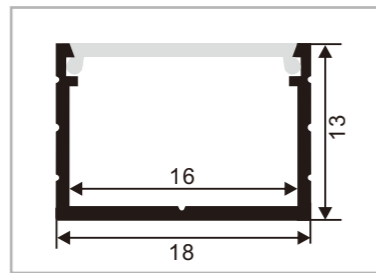
DE1002



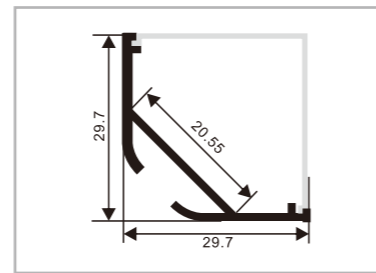
DE1003



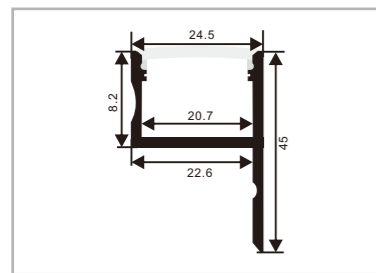
DE1403



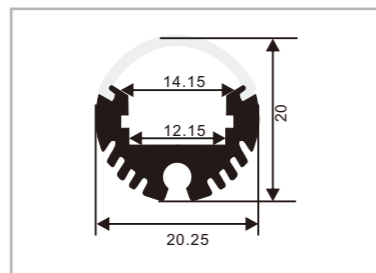
DE21605



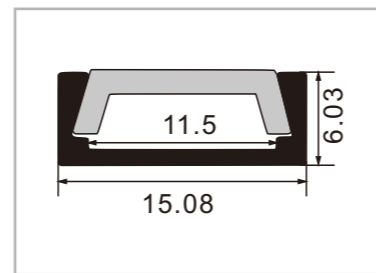
DE2003



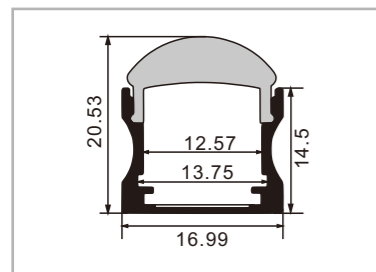
DE2009



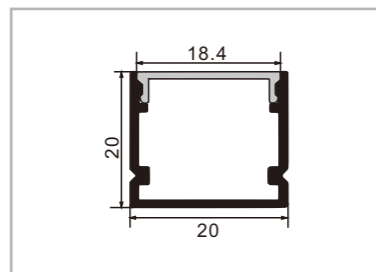
DE2020



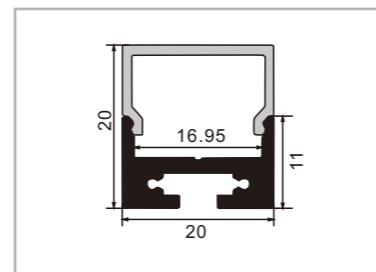
DE1506



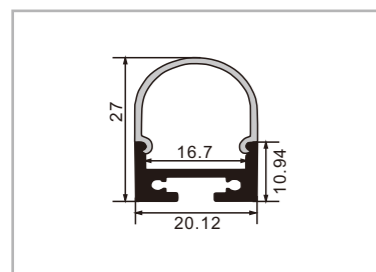
DE1721



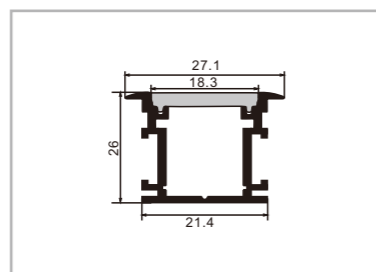
DE2020



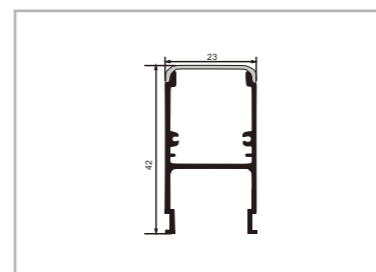
DE2020



DE2027

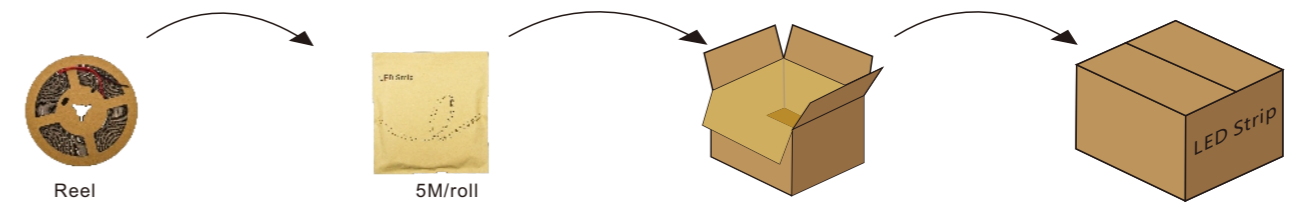


DE2226

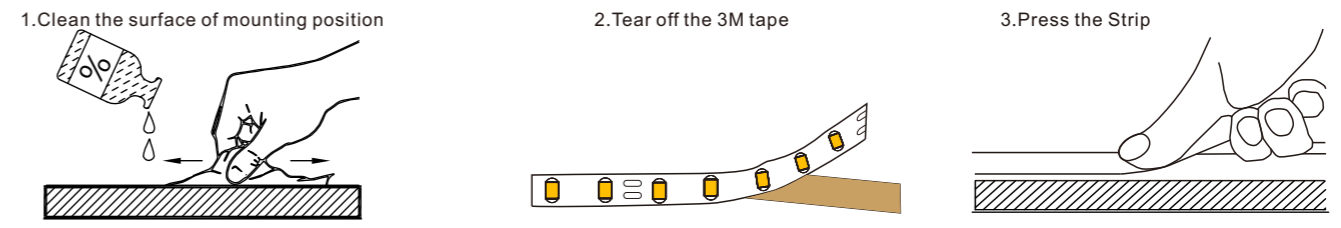


DE4223

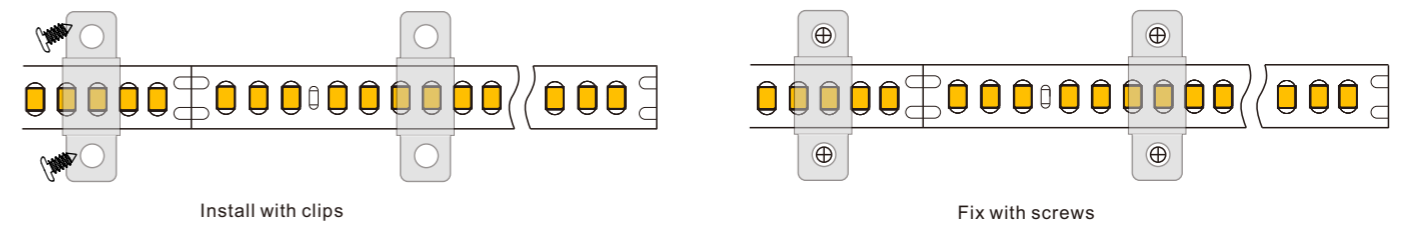
Packing



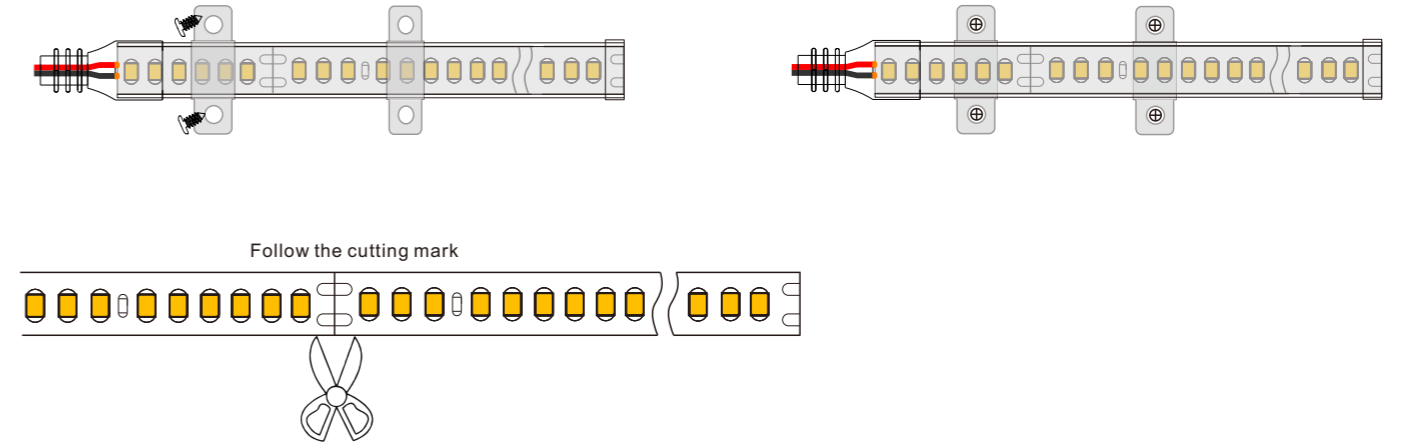
Installation



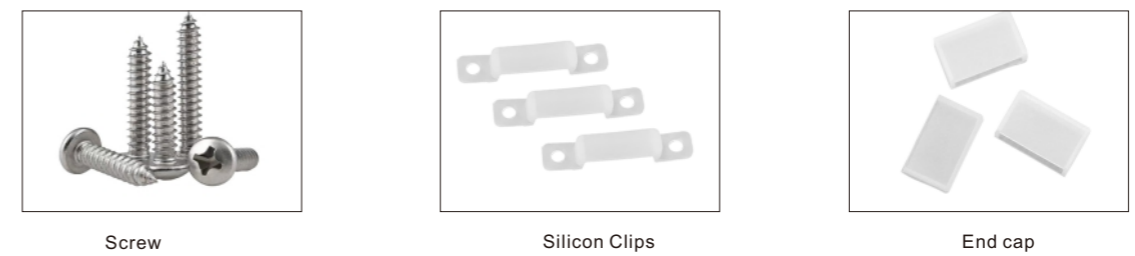
Bare plate installation



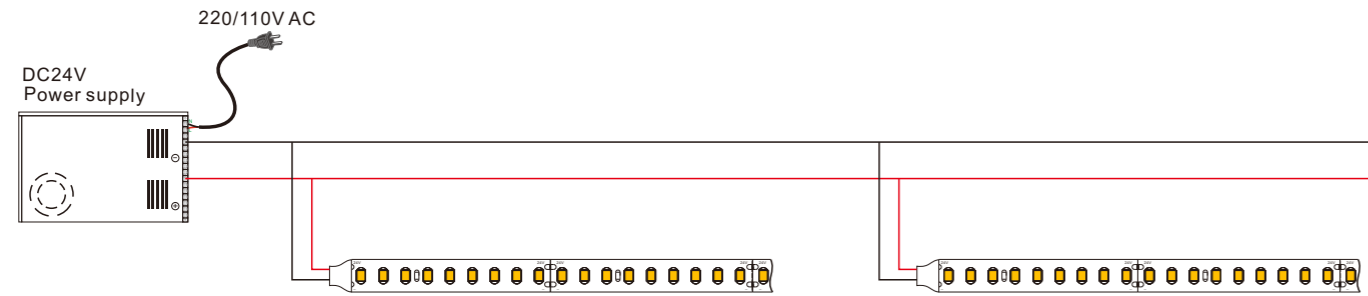
Casing installation



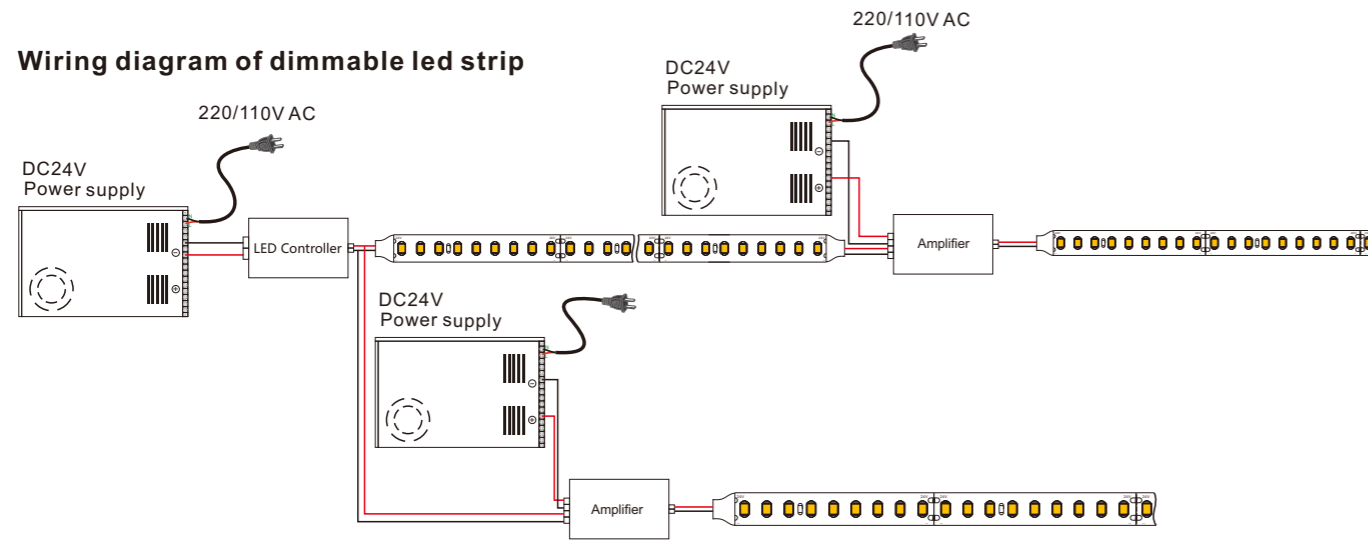
Accessory



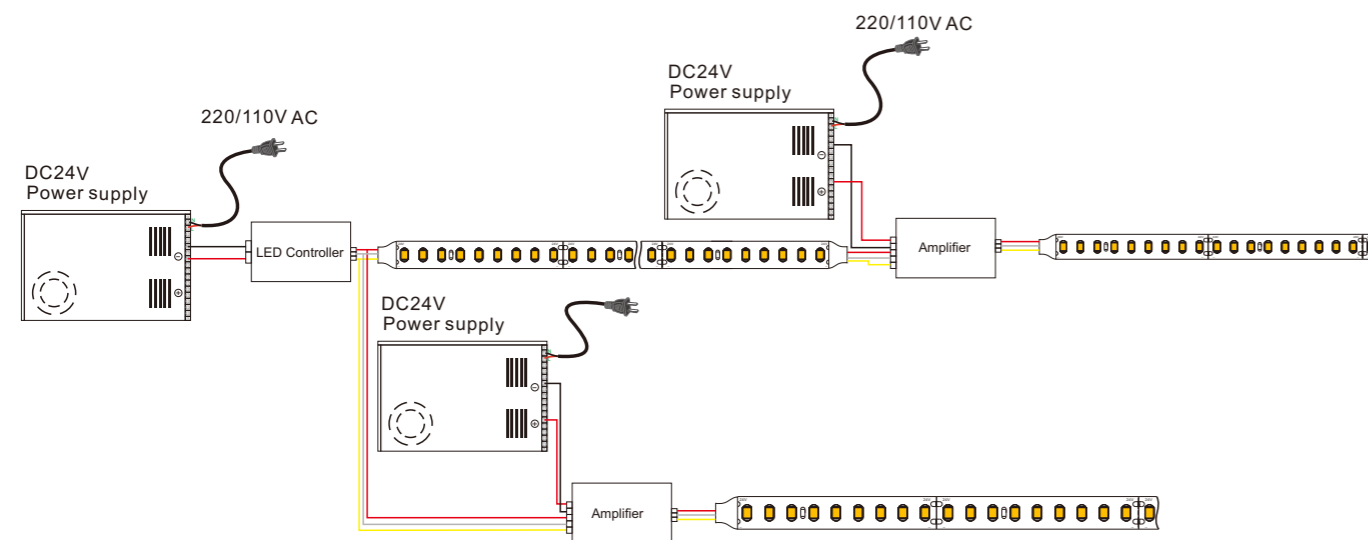
Wiring Diagram



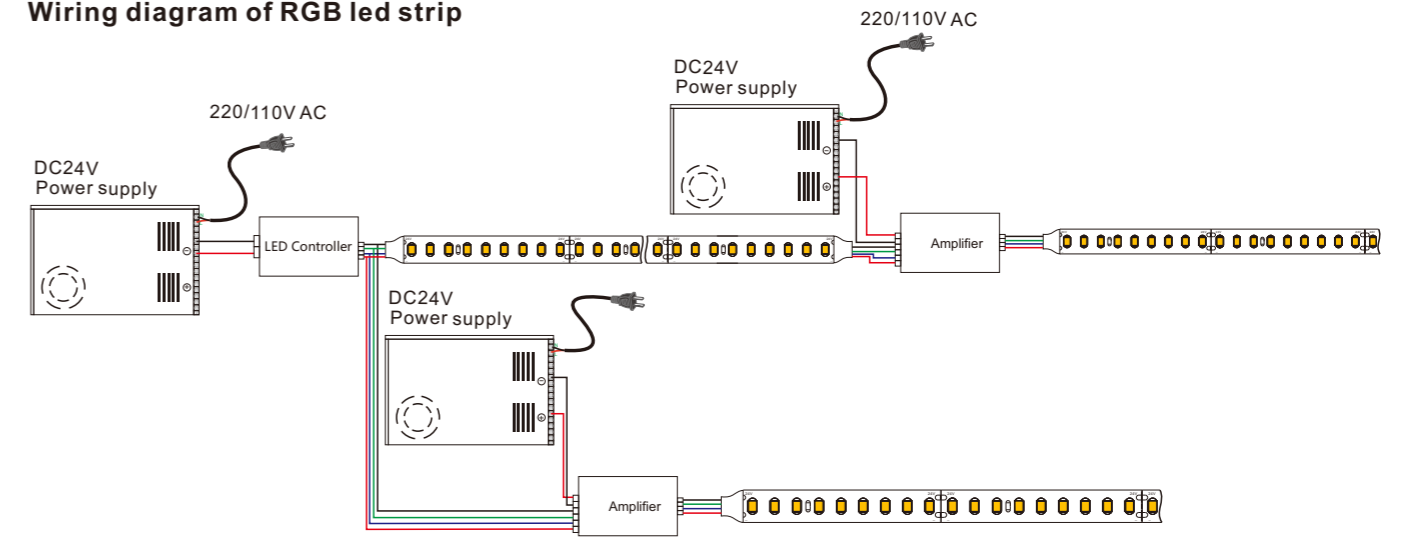
Wiring diagram of dimmable led strip



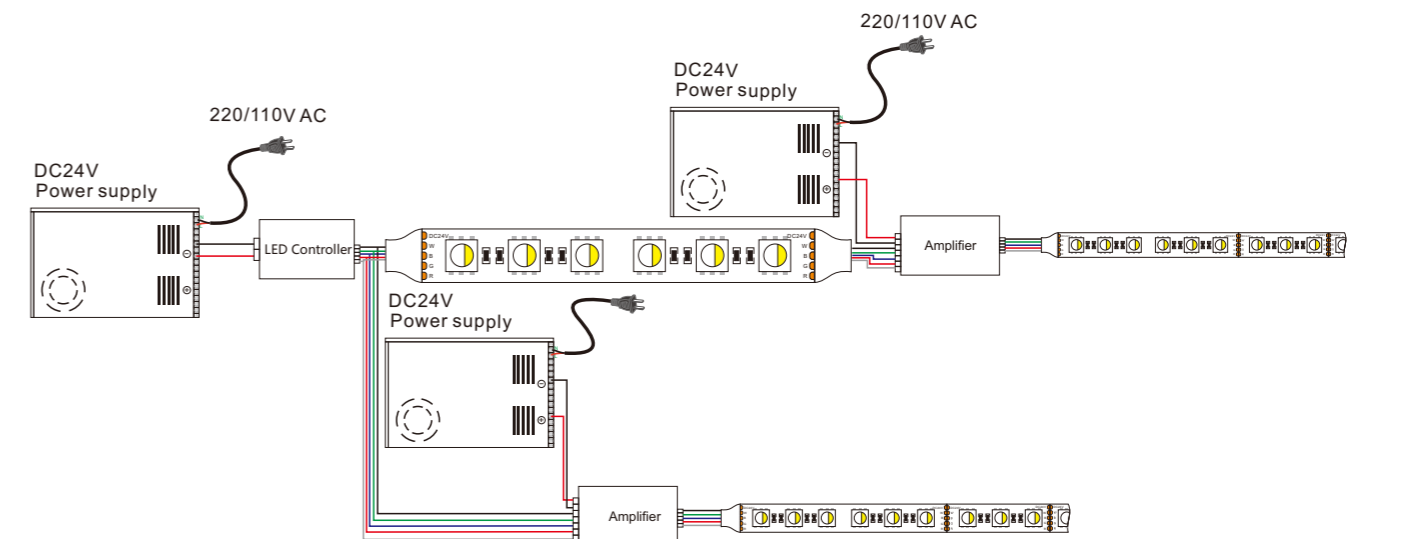
Wiring diagram of tunable led strip



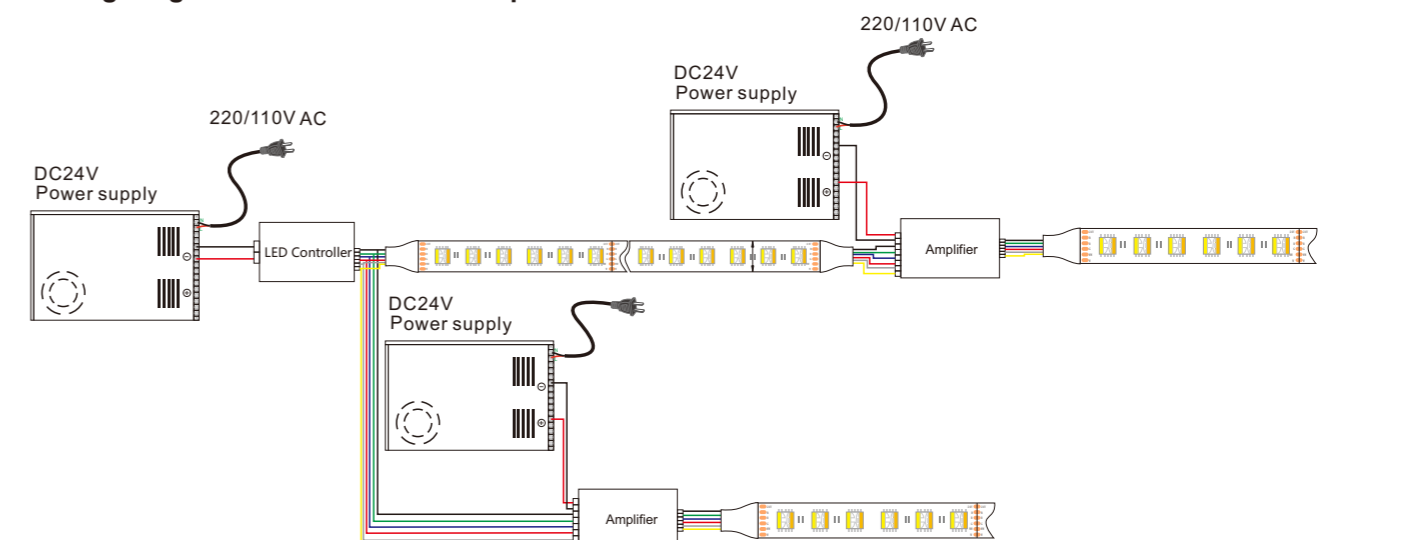
Wiring diagram of RGB led strip



Wiring diagram of RGBW led strip



Wiring diagram of RGB+CW led strip



Controller



LED Dimmer



CCT LED Controller



RGB Controller



RGBW Controller



SPI/DMX LED Decoder



3*10A RGB LED controller



RF SPI RGB Controller



WiFi SPI RGBW Controller



K-1000C



Wifi Dual Color Controller RGBW



K-8000C



iPixel LED SPI Smart Controller



RGB 3Channel DMX Decoder



Master DVI Controller



Slave DVI Controller 4 Ch



Slave DVI Controller 8 Ch



DMX Address Coder



16CH DMX LED Decoder



16 CH Artnet Controller



WF300-Wifi-SPI controller

Power supply



LRS-100-SPEC



LRS-200-SPEC



LRS-350-SPEC



LPV-60-12



LPV-100-12



HLG-240H-24A



HLG-150H-12A



HLG-240H-12A



HLG-320H-24A



SE-1000-24



RSP-3000-24



5V-13A